

aiwa

**COMPACT DISC STEREO SYSTEM
SISTEMA ESTEREO CON REPRODUCTOR DE DISCOS COMPACTOS
CHAINE STEREO AVEC LECTEUR DE DISQUES COMPACTS**

NSX-A508

**OPERATING INSTRUCTIONS
MANUAL DE INSTRUCCIONES
MODE D'EMPLOI**

En (English)

E (Español)

F (Français)

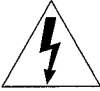

For assistance and information

call toll free 1-800-BUY-AIWA

(United States and Puerto Rico)

WARNING

TO REDUCE THE RISK OF FIRE OR ELECTRIC SHOCK, DO NOT EXPOSE THIS APPLIANCE TO RAIN OR MOISTURE.

	CAUTION RISK OF ELECTRIC SHOCK DO NOT OPEN	
<p>“CAUTION: TO REDUCE THE RISK OF ELECTRIC SHOCK, DO NOT REMOVE COVER (OR BACK). NO USER-SERVICEABLE PARTS INSIDE. REFER SERVICING TO QUALIFIED SERVICE PERSONNEL.”</p>		

Explanation of Graphical Symbols:



The lightning flash with arrowhead symbol, within an equilateral triangle, is intended to alert the user to the presence of uninsulated “dangerous voltage” within the product’s enclosure that may be of sufficient magnitude to constitute a risk of electric shock to persons.



The exclamation point within an equilateral triangle is intended to alert the user to the presence of important operating and maintenance (servicing) instructions in the literature accompanying the appliance.

Owner’s record

For your convenience, record the model number and serial number (you will find them on the rear of your set) in the space provided below. Please refer to them when you contact your Aiwa dealer in case of difficulty.


Model No.	Serial No. (Lot No.)
CX-NA508	
SX-NA502	
SX-R275	

PRECAUTIONS

Read the Operating Instructions carefully and completely before operating the unit. Be sure to keep the Operating Instructions for future reference. All warnings and cautions in the Operating Instructions and on the unit should be strictly followed, as well as the safety suggestions below.

Installation

- 1 Water and moisture** — Do not use this unit near water, such as near a bathtub, washbowl, swimming pool, or the like.
- 2 Heat** — Do not use this unit near sources of heat, including heating vents, stoves, or other appliances that generate heat. It also should not be placed in temperatures less than 5°C (41°F) or greater than 35°C (95°F).
- 3 Mounting surface** — Place the unit on a flat, even surface.
- 4 Ventilation** — The unit should be situated with adequate space around it so that proper heat ventilation is assured. Allow 10 cm (4 in.) clearance from the rear and the top of the unit, and 5 cm (2 in.) from each side.
 - Do not place the unit on a bed, rug, or similar surface that may block the ventilation openings.
 - Do not install the unit in a bookcase, cabinet, or airtight rack where ventilation may be impeded.
- 5 Objects and liquid entry** — Take care that objects or liquids do not get inside the unit through the ventilation openings.
- 6 Carts and stands** — When placed or mounted on a stand or cart, the unit should be moved with care. Quick stops, excessive force, and uneven surfaces may cause the unit or cart to overturn or fall.


- 7 Condensation** — Moisture may form on the CD pickup lens when:
 - The unit is moved from a cold spot to a warm spot
 - The heating system has just been turned on
 - The unit is used in a very humid room
 - The unit is cooled by an air conditioner

When this unit has condensation inside, it may not function normally. Should this occur, leave the unit for a few hours, then try to operate again.
- 8 Wall or ceiling mounting** — The unit should not be mounted on a wall or ceiling, unless specified in the Operating Instructions.

Electric Power

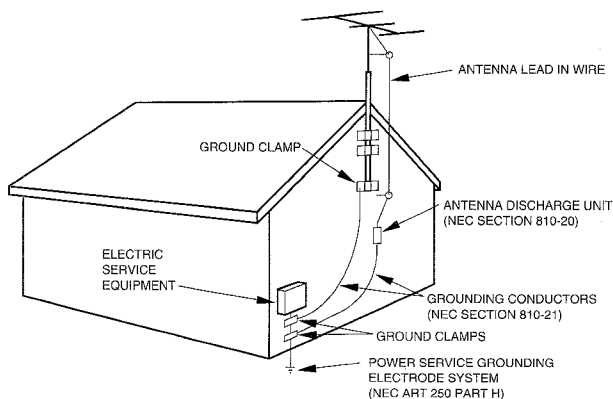
- 1 Power sources** — Connect this unit only to power sources specified in the Operating Instructions, and as marked on the unit.
- 2 Polarization** — As a safety feature, some units are equipped with polarized AC power plugs which can only be inserted one way into a power outlet. If it is difficult or impossible to insert the AC power plug into an outlet, turn the plug over and try again. If it still does not easily insert into the outlet, please call a qualified service technician to service or replace the outlet. To avoid defeating the safety feature of the polarized plug, do not force it into a power outlet.
- 3 AC power cord**
 - When disconnecting the AC power cord, pull it out by the AC power plug. Do not pull the cord itself.
 - Never handle the AC power plug with wet hands, as this could result in fire or shock.
 - Power cords should be firmly secured to avoid being severely bent, pinched, or walked upon. Pay particular attention to the cord from the unit to the power outlet.
 - Avoid overloading AC power plugs and extension cords beyond their capacity, as this could result in fire or shock.

- 4 **Extension cord** — To help prevent electric shock, do not use a polarized AC power plug with an extension cord, receptacle, or other outlet unless the polarized plug can be completely inserted to prevent exposure of the blades of the plug.
- 5 **When not in use** — Unplug the AC power cord from the power outlet if the unit will not be used for several months or more. When the cord is plugged in, a small amount of current continues to flow to the unit, even when the power is turned off.

Outdoor Antenna

- 1 **Power lines** — When connecting an outdoor antenna, make sure it is located away from power lines.
- 2 **Outdoor antenna grounding** — Be sure the antenna system is properly grounded to provide protection against unexpected voltage surges or static electricity build-up. Article 810 of the National Electrical Code, ANSI/NFPA 70, provides information on proper grounding of the mast, supporting structure, and the lead-in wire to the antenna discharge unit, as well as the size of the grounding unit, connection to grounding terminals, and requirements for grounding terminals themselves.

Antenna Grounding According to the National Electrical Code



NEC-NATIONAL ELECTRICAL CODE

Maintenance

Clean the unit only as recommended in the Operating Instructions.

Damage Requiring Service

Have the units serviced by a qualified service technician if:

- The AC power cord or plug has been damaged.
- Foreign objects or liquid have gotten inside the unit.
- The unit has been exposed to rain or water.
- The unit does not seem to operate normally.
- The unit exhibits a marked change in performance.
- The unit has been dropped, or the cabinet has been damaged.

DO NOT ATTEMPT TO SERVICE THE UNIT YOURSELF.

TABLE OF CONTENTS

PRECAUTIONS	1
PREPARATIONS	
CONNECTIONS	3
REMOTE CONTROL	5
BEFORE OPERATION	5
SOUND	
AUDIO ADJUSTMENTS	6
GRAPHIC EQUALIZER	7
RADIO RECEPTION	
MANUAL TUNING	8
PRESETTING STATIONS	8
CD PLAYING	
BASIC OPERATIONS	9
PROGRAMMED PLAY	10
TAPE PLAYBACK	
BASIC OPERATIONS	11
RECORDING	
BASIC RECORDING	12
DUBBING A TAPE MANUALLY	13
DUBBING THE WHOLE TAPE	13
AI EDIT RECORDING	14
PROGRAMMED EDIT RECORDING	15
KARAOKE	
MICROPHONE MIXING	16
KARAOKE PROGRAM	17
CLOCK AND TIMER	
SETTING THE CLOCK	18
SETTING THE SLEEP TIMER	18
SETTING THE TIMER	19
OTHER CONNECTIONS	
CONNECTING OPTIONAL EQUIPMENT	20
LISTENING TO EXTERNAL SOURCES	20
GENERAL	
CARE AND MAINTENANCE	21
TROUBLESHOOTING GUIDE	21
SPECIFICATIONS	22
PARTS INDEX	Back cover

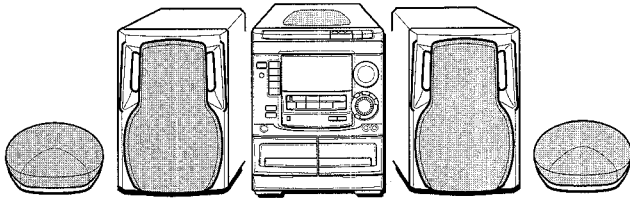
En

PREPARATIONS

CONNECTIONS

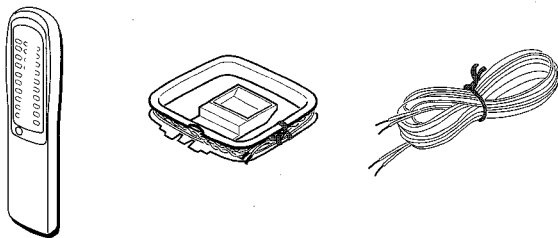
Check your system and accessories

NSX-A508



CX-NA508 Compact disc stereo cassette receiver
 SX-NA502 Front speakers
 SX-R275 Surround speakers

Remote control AM antenna FM antenna



Operating Instructions, etc

Before connecting the AC cord

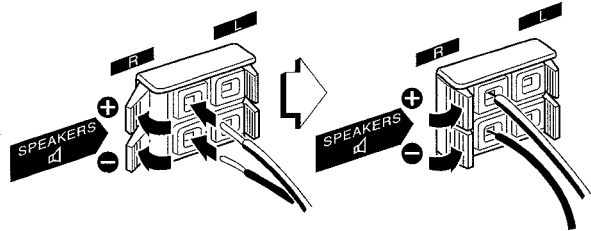
The rated voltage of your unit shown on the rear panel is 120 V AC. Check that the rated voltage matches your local voltage.

IMPORTANT

Connect the speakers, antennas, and all optional equipment first. Then connect the AC cord in the end.

1 Connect the right and left speakers to the main unit.

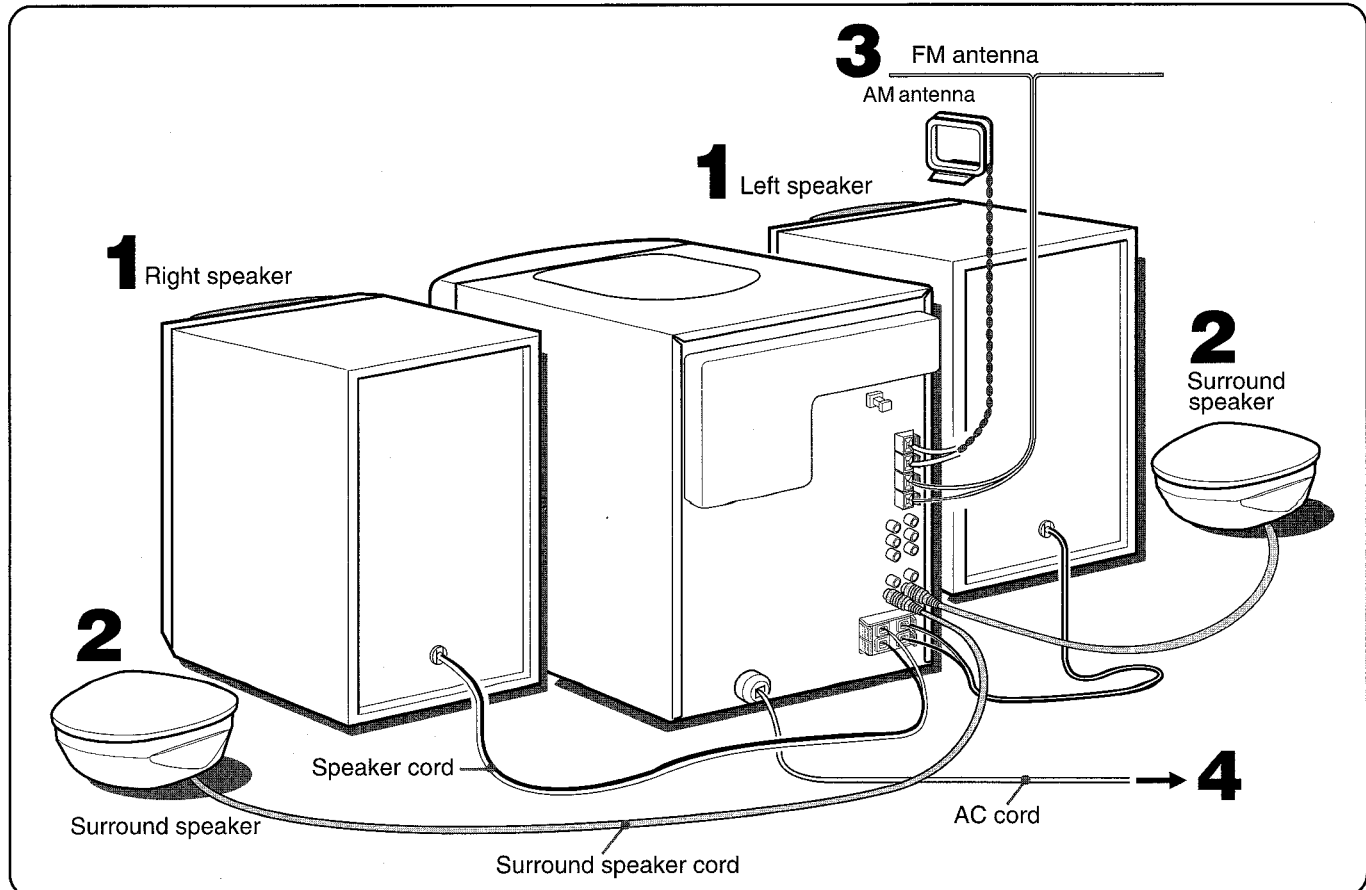
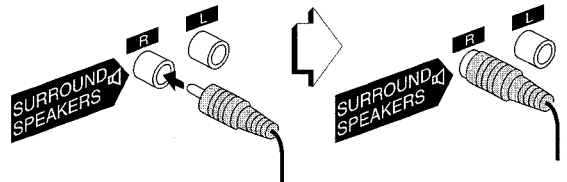
Connect the right speaker cord to **SPEAKERS R** terminals, and left to **SPEAKERS L** terminals.



The speaker cord with the white stripe should be connected to **+** terminal and the black cord to **-** terminal.

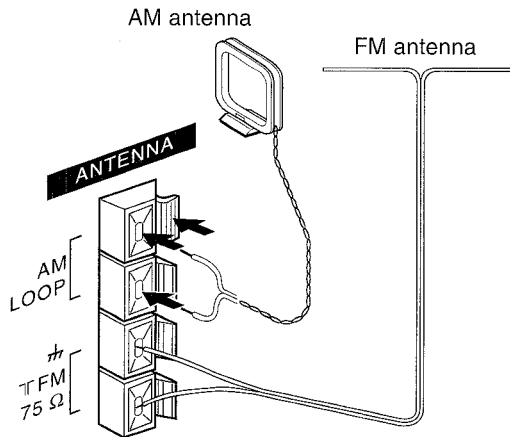
2 Connect the surround speakers to the main unit.

There are no differences between the surround speakers. Connect each surround speaker cord to **SURROUND SPEAKERS R** or **L** terminal.



3 Connect the supplied antennas.

Connect the FM antenna to **FM 75 Ω** terminals and the AM antenna to **AM LOOP** terminals.



4 Connect the AC cord to an AC outlet.

To position the antennas

FM feeder antenna:

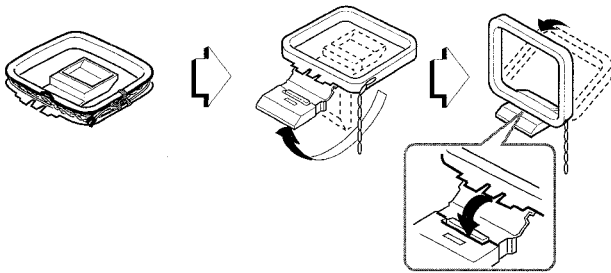
Extend this antenna horizontally in a T-shape and fix its ends to the wall.

AM antenna:

Position to find the best possible reception.

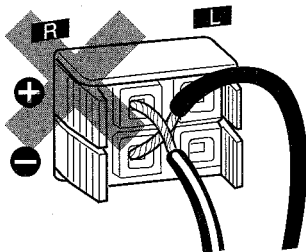
To stand the AM antenna on a surface

Fix the claw to the slot.



NOTE

- Be sure to connect the speaker cords correctly. Improper connections can cause short circuits in **SPEAKERS** terminals.

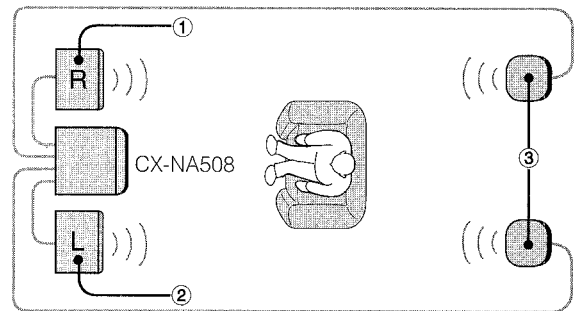


- Do not leave objects generating magnetism, such as credit cards, near the speakers, as these objects may be damaged.
- Do not bring the FM antenna near metal objects or curtain rails.
- Do not bring the AM antenna near other optional equipment, the stereo system itself, the AC cord or speaker cords, since noise will be picked up.
- Do not unwind the AM antenna wire.

POSITIONING THE SPEAKERS

Position the speakers to make the most of the SURROUND effect.

Standard positioning

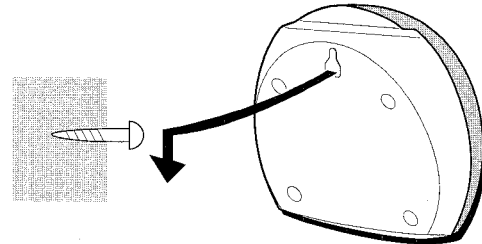


- ① Front speaker (Right)
- ② Front speaker (Left)
- ③ Surround speakers

Place the surround speakers behind the listening area.

To mount the surround speakers on the wall

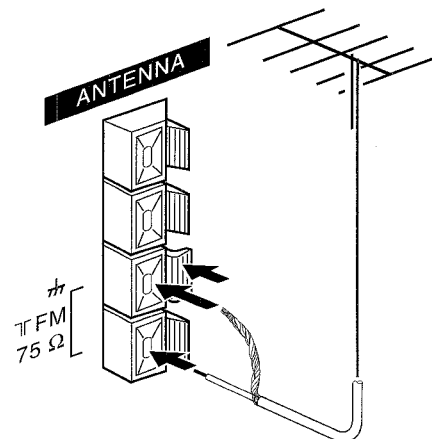
Mount each speaker on a spot that can hold its weight.



CONNECTING AN OUTDOOR ANTENNA

For better FM reception, use of an outdoor antenna is recommended.

Connect the outdoor antenna to **FM 75 Ω** terminals.

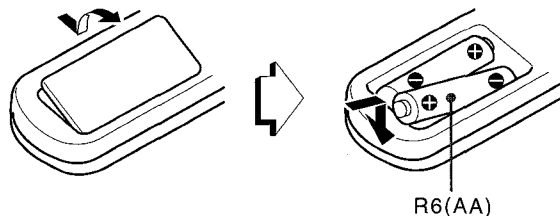


To connect other optional equipment → page 20.

REMOTE CONTROL

Inserting batteries

Detach the battery cover on the rear of the remote control and insert two R6 (size AA) batteries.



When to replace the batteries

The maximum operational distance between the remote control and the sensor on the main unit should be approximately 5 meters (16 feet). When this distance decreases, replace the batteries with new ones.

To use SHIFT on the remote control

Buttons ① have two different functions. One of these functions is indicated on the button, and the other on the plate above the button.

To use the function on the button, simply press the button.

To use the function on the plate above the button, press the button while pressing **SHIFT**.

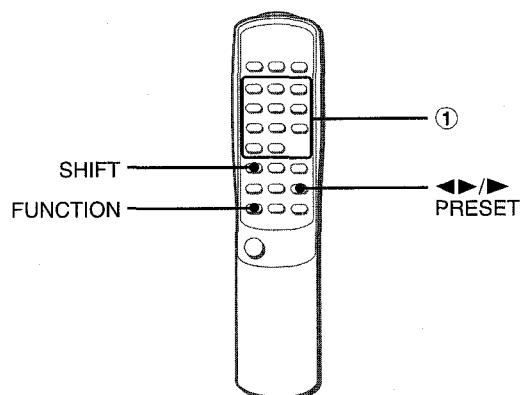
To use FUNCTION on the remote control

The **FUNCTION** substitutes for the function buttons (**TAPE DECK 1/2, TUNER, VIDEO/AUX, CD, MD**) on the main unit.

Each time **FUNCTION** is pressed, the next function is selected cyclically. When tapes are inserted in both decks, each deck is selected with **FUNCTION**.

◀▶/▶ PRESET on the remote control

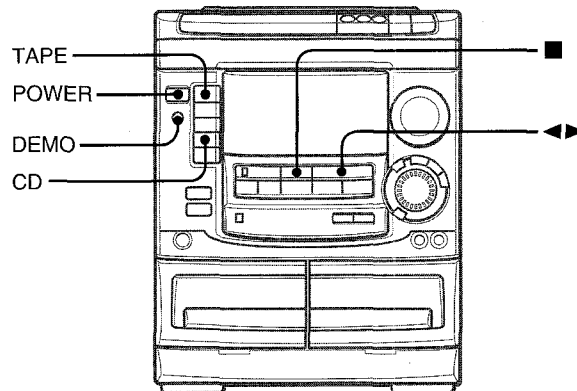
The function is same as that of ◀▶ on the main unit.



NOTE

- If the remote control is not going to be used for an extended period of time, remove the batteries to prevent possible electrolyte leakage.
- The remote control may not operate correctly when:
 - The line of sight between the remote control and the remote sensor inside the display window is exposed to intense light, such as direct sunlight
 - Other remote controls are used nearby (those of a television, etc.)

BEFORE OPERATION



To turn the power on

Press one of the function buttons (**TAPE, TUNER, VIDEO/AUX, CD, MD**). Playback of the inserted disc or tape begins, or the previously tuned station is received (Direct Play Function).

POWER is also available.

When the unit is turned on, the disc compartment may open and close to reset the unit.

To turn the power off

Press **POWER**.

Flash windows

The windows on the top of the unit and the cassette decks light up or flash while the unit is being powered on.

To turn off the light of the top window, press ■ while pressing **CD**. To turn back on, repeat the above.

Game Demo

When the AC cord is connected, the display window demonstrates the game Demo. When the power is turned on, the game Demo is overridden by the operation display. When the power is turned off, the game Demo is restored.

To cancel the game Demo

Press **DEMO**. To re-activate the game Demo, press **DEMO** again.

To play the the game Demo

- 1 Press **DEMO** so that the game Demo displays.
- 2 Press ◀▶.
 - Three numbers on the display start to run.
- 3 Press ■ once.
 - The number on the left side stops.
- 4 Press ■ twice to stop the remaining two numbers.

Scoring:

20 points are given to start the game.

If all the numbers are equal, 50 points are added to the score.

If not equal, one point is subtracted.

If the gained points reach 9999, you win.

If the gained points fall to 0, you lose.

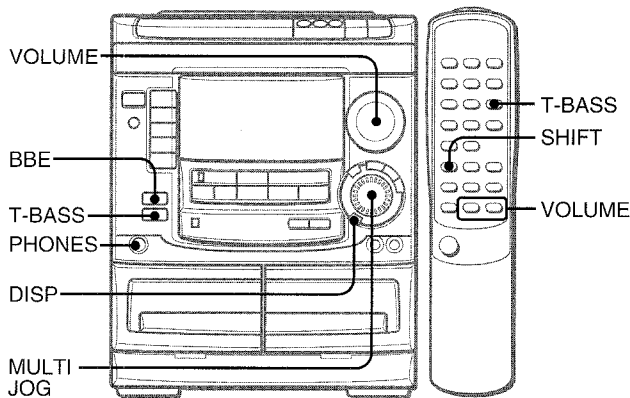
To reset the game Demo

Press **DEMO** twice, then press ◀▶. The game starts again.

NOTE

- During playing the game Demo, ■ and ◀▶ are available only for the game Demo. Cancel the game Demo to use these buttons for the functions such as CD playing, etc.
- During the game Demo, some indicators unrelated with the actual operation light up on the display.

AUDIO ADJUSTMENTS



VOLUME

Turn **VOLUME** on the main unit, or press **VOLUME** on the remote control.

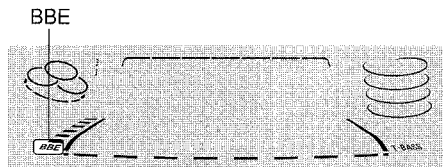
The volume level is displayed as a number from 0 to MAX (50). The volume level is automatically set to 20 when the power is turned off with the volume level set to 21 or more.

BBE SYSTEM

The BBE system enhances the clarity of high-frequency sound. It also enriches the Karaoke function to make your voice sound clear and pleasant.

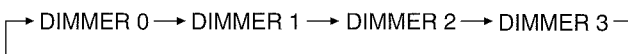
Press BBE.

Each time it is pressed, the level changes. Select one of the three levels, or the off position to suit your preference.



To dim the illumination of the display

- 1 Press **DISP** twice so that "DIMMER" is displayed.
- 2 Within 4 seconds, turn **MULTI JOG** to select the dimmer mode as follows.



DIMMER 0: The normal display

DIMMER 1: The illumination of the display is dimmer than usual.

DIMMER 2: The illumination of the display is dimmer than DIMMER 1.

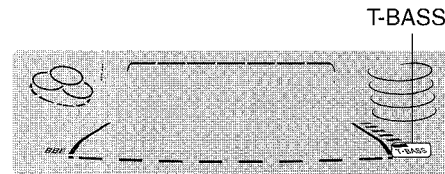
DIMMER 3: The illumination of the display is dimmer than DIMMER 2, and the spectrum analyzer and the illumination on the buttons light off.

SUPER T-BASS SYSTEM

The T-BASS system enhances the realism of low-frequency sound.

Press T-BASS.

Each time it is pressed, the level changes. Select one of the three levels, or the off position to suit your preference.



To select with the remote control press **T-BASS** while pressing **SHIFT**.

NOTE

- Low frequency sound may be distorted when the T-BASS system is used for a disc or tape in which low frequency sound is originally emphasized. In this case, cancel the T-BASS system.
- When playing back a tape recorded with BBE, it is recommended that BBE be set to off to avoid distorted high frequency sound.

Using the headphones

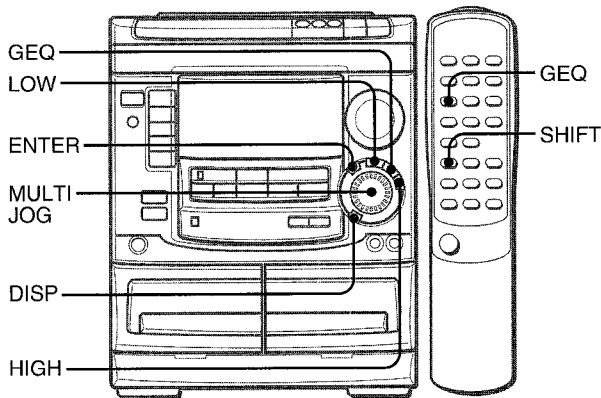
Connect headphones to the **PHONES** jack with a standard stereo plug (ø6.3 mm, 1/4 inch).

No sound is output from the speakers while the headphones are plugged in.

Sound adjustment during recording

The output volume and tone (except BBE) of the speakers or headphones are freely varied without affecting the level of the recording.

GRAPHIC EQUALIZER



SELECTING THE PROGRAMMED EQUALIZATION CURVE

This unit provides the following 5 different programmed equalization curves.

ROCK: Powerful sound emphasizing treble and bass

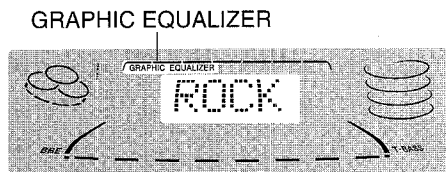
POP: More presence in the vocals and midrange

JAZZ: Accented lower frequencies for jazz-type music

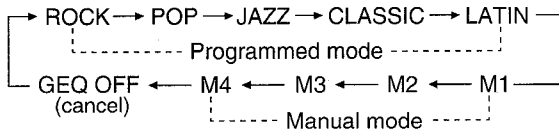
CLASSIC: Enriched sound with heavy bass and fine treble.

LATIN: JAZZ-type equalization curve with higher frequencies

Press **GEQ**, and turn **MULTI JOG** to select one of the programmed equalization curve within 4 seconds.



"GRAPHIC EQUALIZER" appears (except "GEQ OFF") and the GEQ mode is displayed cyclically as follows.



To display the current GEQ mode

Press **GEQ**. The current mode is displayed for 4 seconds.

To cancel the selected mode

Press **GEQ**, and turn **MULTI JOG** to select "GEQ OFF" within 4 seconds. "GRAPHIC EQUALIZER" disappears.

To select with the remote control

Press **GEQ** repeatedly while pressing **SHIFT**. The GEQ mode is displayed cyclically as above.

To change the spectrum analyzer display

3 patterns of spectrum analyzer display can be shown. Press **DISP** once, and turn **MULTI JOG** within 4 seconds to select the desired spectrum analyzer display.

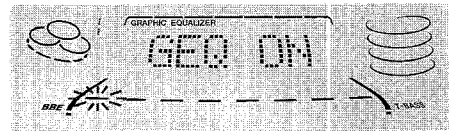
SETTING A NEW EQUALIZATION CURVE MANUALLY

The equalization curve can be customized to suit your preference.

1 Press LOW.

The lowest level frequency indicator flashes for 4 seconds.

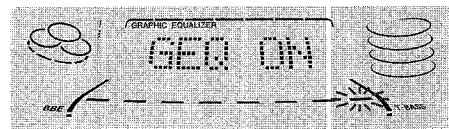
2 Within 4 seconds, turn MULTI JOG to adjust the level of the lowest frequency.



3 Press HIGH.

The highest level frequency indicator flashes for 4 seconds.

4 Within 4 seconds, turn MULTI JOG to adjust the level of the highest frequency.



The frequency level indicators of between the lowest and the highest are adjusted accordingly.

MEMORIZING THE NEW EQUALIZATION CURVES

Up to 4 customized equalization curves can be stored as the manual modes M1 - M4.

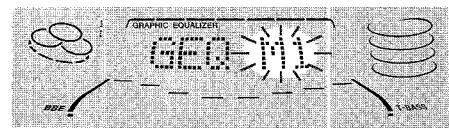
1 Set a new equalization curve with HIGH, LOW and MULTI JOG.

See "SETTING A NEW EQUALIZATION CURVE MANUALLY". The created curve is displayed for 4 seconds.



2 Within 4 seconds, press ENTER.

"M 1" flashes on the display for 4 seconds.



If this step is not completed within 4 seconds, press **GEQ** first to display "GEO ON". Then press **ENTER** within 4 seconds.

3 Within 4 seconds, turn MULTI JOG to select one of the manual modes M1 - M4 to store the curve.

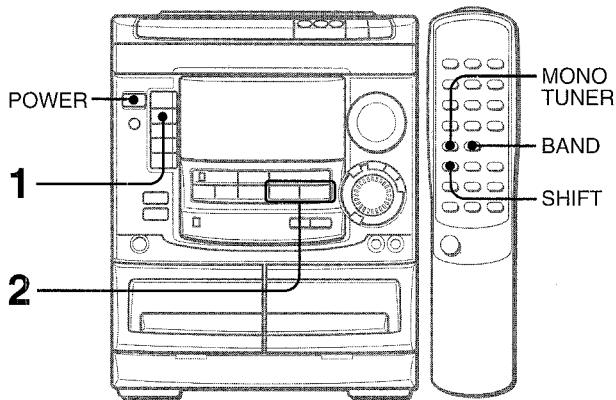
4 Within 4 seconds, press ENTER.

The new equalization curve is stored.

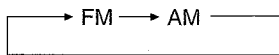
To select the stored equalization curve

Press **GEQ**, and turn **MULTI JOG** to select one of the manual modes M1 - M4 within 4 seconds.

MANUAL TUNING



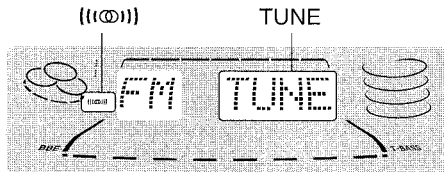
1 Press TUNER BAND repeatedly to select the desired band.



When TUNER BAND is pressed while the power is off, the power is turned on directly.

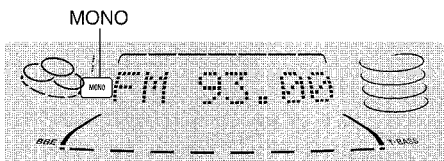
To select a band with the remote control
Press BAND while pressing SHIFT.

2 Press ◀◀ DOWN or ▶▶ UP to select a station.
Each time the button is pressed, the frequency changes.
When a station is received, "TUNE" is displayed for 2 seconds.
During FM stereo reception, ((Ⓜ)) is displayed.



To search for a station quickly (Auto Search)
Keep ◀◀ DOWN or ▶▶ UP pressed until the frequency starts to change rapidly. After tuning in to a station, the search stops. To stop the Auto Search manually, press ◀◀ DOWN or ▶▶ UP.
• The Auto Search may not stop at stations with very weak signals.

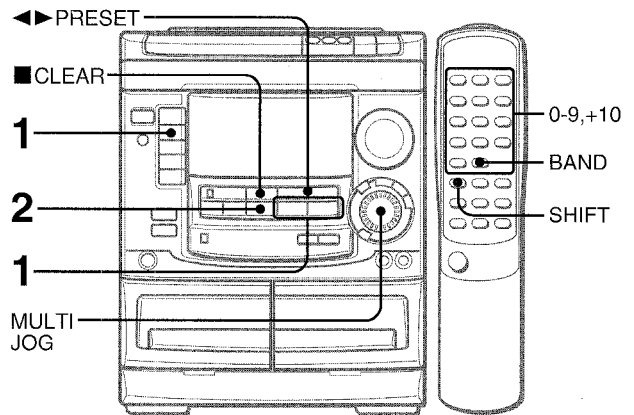
When an FM stereo broadcast contains noise
Press MONO TUNER on the remote control while pressing SHIFT so that "MONO" appears on the display.



Noise is reduced, although reception is monaural. To restore stereo reception, press these buttons so that "MONO" disappears.

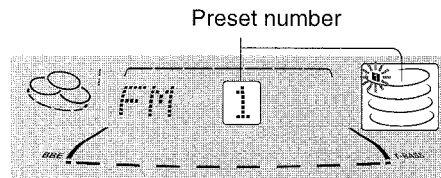
To change the AM tuning interval
The default setting of the AM tuning interval is 10 kHz/step. If you use this unit in an area where the frequency allocation system is 9 kHz/step, change the tuning interval. Press POWER while pressing TUNER BAND. To reset the interval, repeat this procedure.

PRESETTING STATIONS



The unit can store a total of 32 preset stations. When a station is stored, a preset number is assigned to the station. Use the preset number to tune in to a preset station directly.

1 Press TUNER BAND to select a band, and press ◀◀ DOWN or ▶▶ UP to select a station.
2 Press || SET to store the station.
A preset number beginning from 1 in consecutive order for each band is assigned to the station.



3 Repeat steps 1 and 2.
The next station will not be stored if a total of 32 preset stations for all the bands have already been stored.

PRESET NUMBER TUNING

Use the remote control to select the preset number directly.
1 Press BAND while pressing SHIFT to select a band.
2 Press numbered buttons 0-9 and +10 to select a preset number.
Example:
To select preset number 20, press +10, +10 and 0.
To select preset number 15, press +10 and 5.

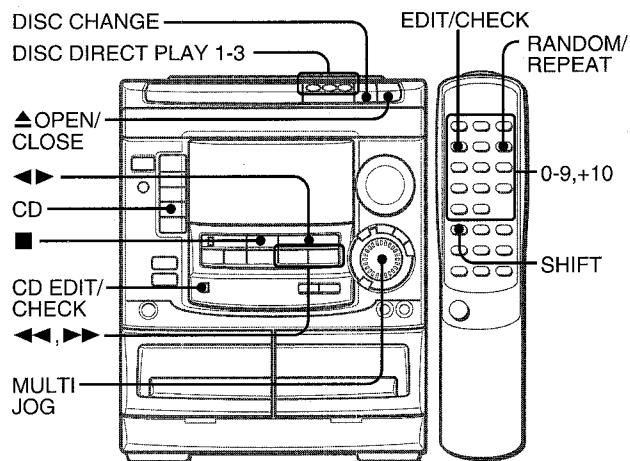
Selecting a preset number on the main unit
Press TUNER BAND to select a band. Then, press ◀◀ PRESET repeatedly or turn MULTI JOG.
Each time ◀◀ PRESET is pressed, the next ascending number is selected.

To clear a preset station
Select the preset number of the station to be cleared. Then, press ■ CLEAR, and press || SET within 4 seconds.
The preset numbers of all other stations in the band with higher numbers are also decreased by one.

NOTE

When the AM tuning interval is changed, all preset stations are cleared. The preset stations have to be set again.

BASIC OPERATIONS



To play one disc only, press DISC DIRECT PLAY 1-3.
The selected disc is played once.

To stop play, press ■.
To pause play, press III. To resume play, press again.
To search for a particular point during playback, keep ◀◀ or ▶▶ pressed and release it at the desired point.
To skip to the beginning of a track during playback, press ◀◀ or ▶▶ repeatedly or turn MULTI JOG.
To remove discs, press ▲ OPEN/CLOSE.

To start play when the power is off (Direct Play Function)
Press **CD**. The power is turned on and play of the loaded disc(s) begins.
When **▲ OPEN/CLOSE** is pressed, the power is also turned on and the disc compartment is opened.

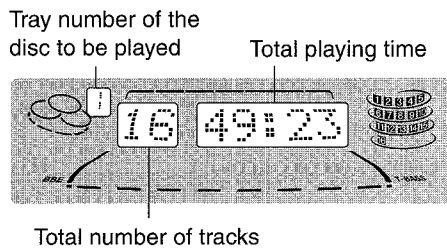
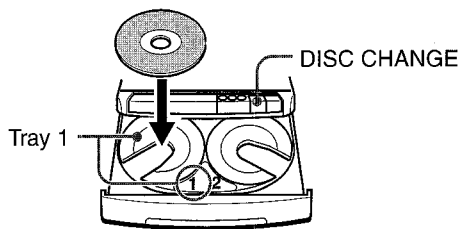
To check the remaining time
During play, press **EDIT/CHECK** on the remote control while pressing **SHIFT**. The amount of time remaining until all tracks finish playing is displayed. To restore the playing time display, repeat the above.

* **CD EDIT/CHECK** on the unit is also available instead of **EDIT CHECK** on the remote control.

LOADING DISCS

Press **CD**, then press **▲ OPEN/CLOSE** to open the disc compartment. Load disc(s) with the label side up.

To play one or two discs, place the discs on tray 1 and 2.
To play three discs, press **DISC CHANGE** to rotate the trays after placing two discs. Place the third disc on tray 3.
Close the disc compartment by pressing **▲ OPEN/CLOSE**.



Selecting a track with the remote control

- 1 Press **DISC DIRECT PLAY 1-3** to select a disc.
 - 2 Press numbered buttons **0-9** and **+10** to select a track.
- Example:
To select the 25th track, press **+10, +10** and **5**.
To select the 10th track, press **+10** and **0**.
- The selected track starts to play and continues to the end of that disc.

Replacing discs during play

- While one disc is playing, the other discs can be replaced without interrupting play.
- 1 Press **DISC CHANGE**.
 - 2 Remove the discs and replace with other discs.
 - 3 Press **▲ OPEN/CLOSE** to close the disc compartment.

NOTE

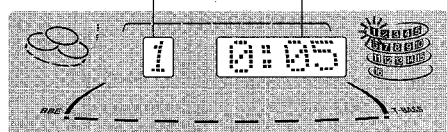
- When loading an 8-cm (3-inch) disc, put it onto the inner circle of the tray.
- Do not place more than one compact disc on one disc tray.
- Do not tilt the unit with discs loaded. Doing so may cause malfunctions.

PLAYING DISCS

Load discs.

To play all discs in the disc compartment, press ◀▶.
Play begins with the disc on tray 1.

Number of track being played Elapsed playing time



RANDOM /REPEAT PLAY

Use the remote control.

RANDOM play

All the tracks on the selected disc or all the discs can be played randomly.

REPEAT play


A single disc or all the discs can be played repeatedly.

Press RANDOM/REPEAT while pressing SHIFT .

Each time it is pressed, the function can be selected cyclically.

RANDOM play — RANDOM lights up on the display.

REPEAT play —  lights up on the display.


RANDOM/REPEAT play — RANDOM and  light up on the display.

Cancel — RANDOM and  disappear from the display.

To play all discs, press  to start play.

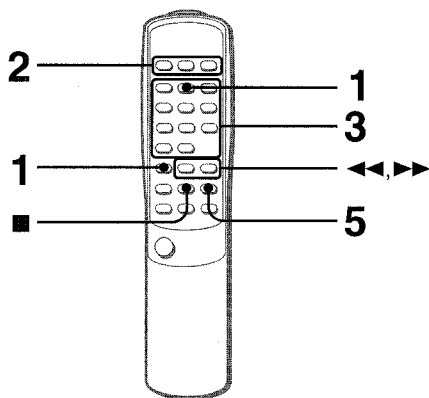
To play a single disc, press one of **DISC DIRECT PLAY 1-3** to start play.

NOTE

During random play it is not possible to skip to the previously played track with .

PROGRAMMED PLAY

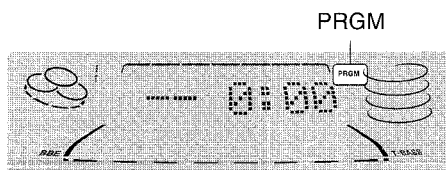
Up to 30 tracks can be programmed from any of the inserted discs.



Use the remote control.

1 Press PRGM twice while pressing SHIFT in stop mode.

"PRGM" appears.



- When **PRGM** is pressed once in step 1, the unit enters the KARAOKE PROGRAM (page 17).

2 Press DISC DIRECT PLAY 1-3 to select a disc.

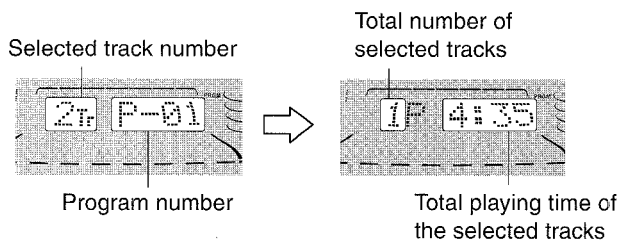
Go to the next step when the tray stops rotating.

3 Press numbered buttons 0-9 and +10 to program a track.

Example:

To select the 25th track, press **+10**, **+10** and **5**.



To select the 10th track, press **+10** and **0**.



4 Repeat steps 2 and 3 to program other tracks.

5 Press to start play.

To check the program

Each time  or  is pressed in stop mode, a disc number, track number, and program number will be displayed.

To clear the program

Press  **CLEAR** in stop mode.


To add tracks to the program

Repeat steps 2 and 3 in stop mode. The track will be programmed after the last track.

To change the programmed tracks

Clear the program and repeat all the steps again.

To play the programmed tracks repeatedly

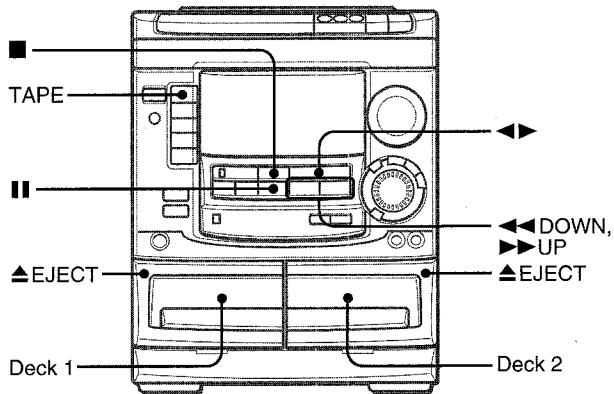
After programming the tracks, press **RANDOM/REPEAT** repeatedly until  appears on the display.

NOTE

During programmed play, you cannot perform random play, checking the remaining time, and selecting a disc or track.

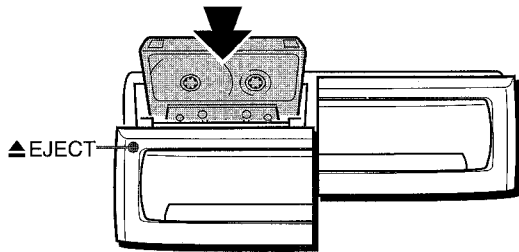
En

BASIC OPERATIONS



Use Type I (normal) tapes only.

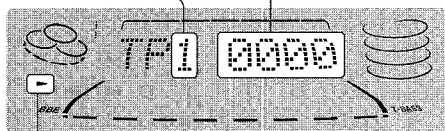
1 Press TAPE and press ▲ EJECT to open the cassette holder.



Insert a tape with the exposed side down. Push the cassette holder to close.

2 Press ◀▶ to start play.

The selected deck number The tape counter indicates the tape running length.



Playback side indicator

- ▶: The front side is being played (forward).
- ◀: The back side is being played (reverse).

To select a playing deck

When tapes are loaded in both decks, press **TAPE** first to select a deck.

The selected deck number is displayed.

To stop play, press ■.

To pause play (deck 2 only), press |||. To resume play, press again.

To change the playback side (deck 1 only), press ◀▶ in play or pause mode.

To fast forward or rewind, press ◀◀ or ▶▶. Then press ■ to stop the tape.

To start play when the power is off (Direct Play Function)

Press **TAPE**. The power is turned on and play of the inserted tape begins.

To set the tape counter to 0000

Press ■ **CLEAR** in stop mode.

The counter is also set to 0000 when the cassette holder is opened.

When tapes are loaded in both decks

After playback of both side (front and back) on deck 1 finishes, the tape in the deck 2 will start to play without interruption and will stop at the end of the front side of the tape. (Continuous play)

MUSIC SENSOR (deck 1 only)

If there is a 4-second or longer blank between each track, a search for the beginning of the current or next track during playback can be done easily.

Press ◀◀ or ▶▶ during playback referring to the playback side indicator (◀ or ▶) on the display.

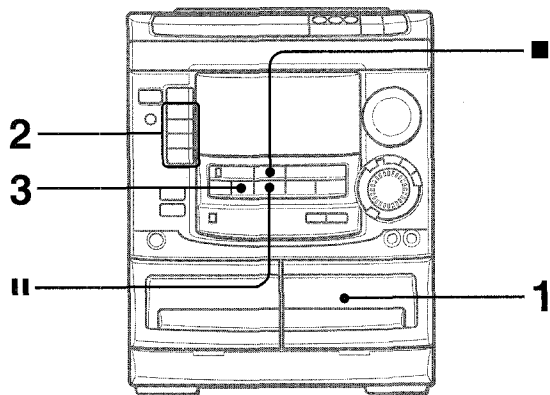
For example, when ▶▶ is pressed while ▶ is displayed, playback of the next track starts after searching.

Music sensor function may not be able to detect tracks under the following conditions:

- Blanks of less than 4 seconds between tracks
- Noisy blanks
- Long passages of low-end sound
- Low overall recording levels

BASIC RECORDING

This section explains how to record from the tuner, CD player, or external equipment.

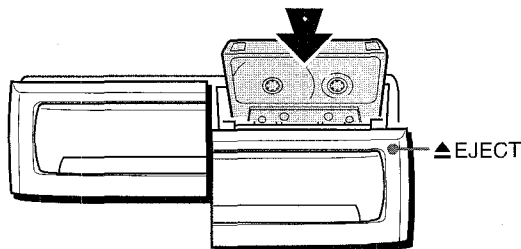


Preparation

- Use Type I (normal) tapes only.
- Set the tape to the point where recording will start.
- Note that recording is done on only one side of the tape.

1 Insert the tape to be recorded on into deck 2.

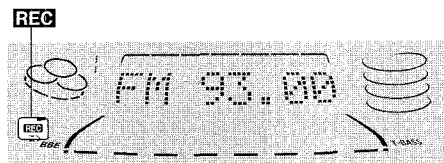
Insert the tape with the side to be recorded on first facing out from the unit.



2 Press function (CD, TUNER, VIDEO/AUX or MD) and prepare the source to be recorded.

To record from a CD, press **CD** and load the disc(s).
To record from a radio broadcast, press **TUNER** and tune in to a station.
To record from a connected source, press **VIDEO/AUX** or **MD**.

3 Press ● REC/REC MUTE to start recording.



When the selected function is CD, playback and recording start simultaneously.
 When recording from a connected source, start playback of the source.

To stop recording, press ■.
To pause recording, press ||. (Applicable when the source is TUNER, VIDEO/AUX or MD) To resume recording, press it again.

Sound adjustment during recording

The output volume and tone (except BBE) of the speakers or headphones are freely varied without affecting the level of the recording.

INSERTING BLANK SPACES

Insertion of 4-second blank spaces enables you to activate the Music Sensor function. (Applicable when the source is TUNER, VIDEO/AUX or MD.)

1 Press ● REC/REC MUTE during recording or while in recording pause mode.

REC on the display flashes for 4 seconds and 4-second blank space is made. Then, the deck enters the recording pause mode.

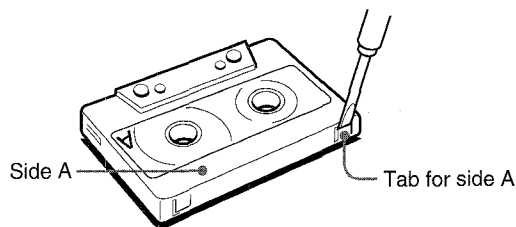
2 Press || to resume recording.

To insert a blank space of less than 4 seconds, press ● **REC/REC MUTE** again while **REC** is flashing.

To insert blank spaces of more than 4 seconds, after the deck enters recording pause mode, press ● **REC/REC MUTE** again. Each time the button is pressed, a 4-second blank space is added.

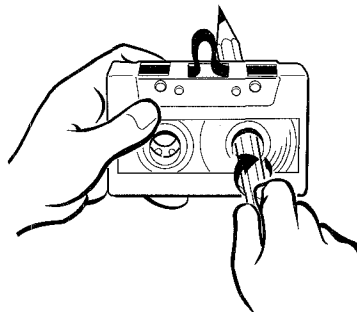
About cassette tapes

- **To prevent accidental erasure**, break off the plastic tabs on the cassette tape after recording with a screwdriver or other pointed tool.



To record on the tape again, cover the tab openings with adhesive tape, etc.

- **120-minute or longer tapes** are extremely thin and easily deformed or damaged. They are not recommended.
- **Take up any slack in the tape** with a pencil or similar tool before use. Slack tape may break or jam in the mechanism.

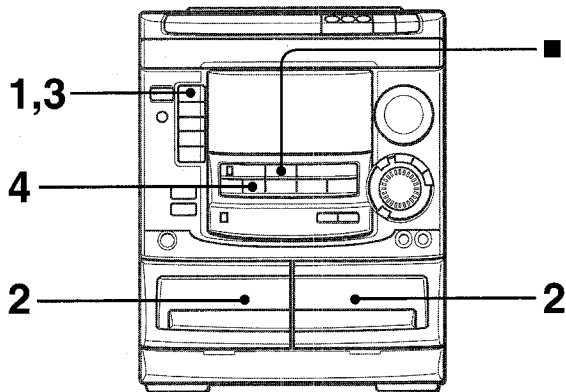


To erase a recording

Make sure the microphone is not connected to this unit.

- 1 Insert the tape to be erased into deck 2 and press **TAPE DECK 1/2** to display "TP 2".
- 2 Set the tape to the point where the erasure is to be started.
- 3 Press ● **REC/REC MUTE** to start the erasure.

DUBBING A TAPE MANUALLY



NOTE

- Set the tape to the point where recording will start.
- Note that recording will be done on one side of the tape only.

1 Press TAPE.

2 Insert the original tape into deck 1 and the tape to be recorded on into deck 2.

Insert the tapes with the sides to be played back or recorded on facing out from the unit.

3 Press TAPE DECK 1/2 to select deck 1.

"TP 1" is displayed.

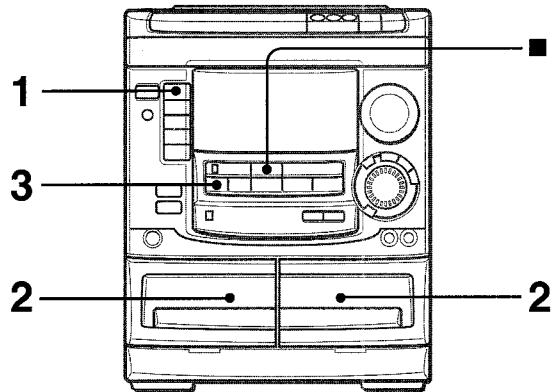
4 Press ● REC/REC MUTE to start recording.

Playing and recording start simultaneously.

To stop dubbing

Press ■.

DUBBING THE WHOLE TAPE



This function allows you to make exact copies of the original tape.

NOTE

- Dubbing does not start from a point halfway in the tape.
- Note that recording will be done on one side of the tape only.

1 Press TAPE.

2 Insert the original tape into deck 1 and the tape to be recorded on into deck 2.

Insert each tape with the side to be played back or recorded on facing out from the unit.

3 Press SYNCHRO DUBBING to start recording.

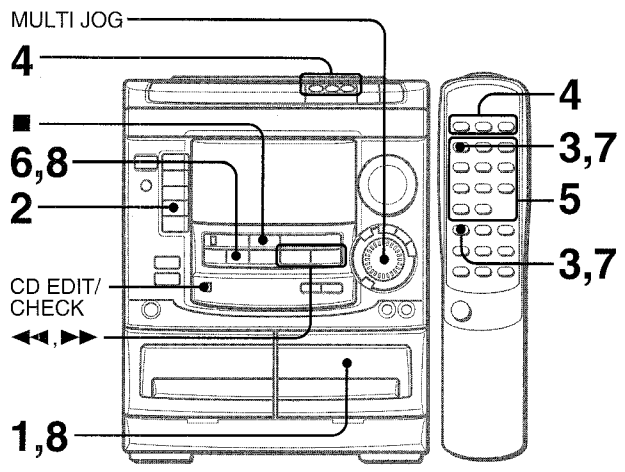


The tapes are rewound to the beginning of the front sides, and recording starts.

To stop dubbing

Press ■.

AI EDIT RECORDING

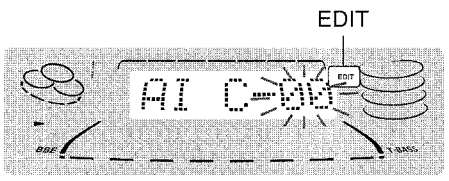


The AI edit recording function enables CD recording without worrying about tape length and track length. When a CD is inserted, the unit automatically calculates the total track length. If necessary, the order of tracks is rearranged so that no track is cut short.
(AI: Artificial Intelligence)

NOTE

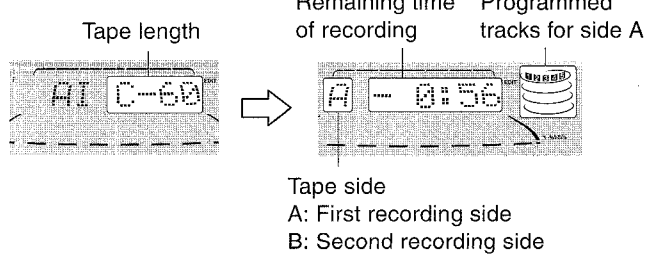
AI edit recording will not start from a point halfway into the tape. The tape must be recorded from the beginning of either side.

- 1 Insert the tape into deck 2.**
Insert the tape with the side to be recorded on first facing out from the unit.
- 2 Press CD and load the disc(s).**
- 3 Press EDIT/CHECK once while pressing SHIFT on the remote control.**
"EDIT" appears.



- When "PRGM" is displayed, press **EDIT/CHECK** while pressing **SHIFT** again.

- 4 Press DISC DIRECT PLAY 1-3 to select a disc.**
- 5 Press numbered buttons 0-9 on the remote control to designate the tape length.**
10 to 99 minutes can be specified.
Example: When using a 60-minute tape, press **6** and **0**.
In a few seconds, the tracks to be recorded on each side of the tape are determined.
- **◀▶**, **▶▶** or **MULTI JOG** are also available to designate the tape length.



- 6 Press ● REC/REC MUTE to start recording on the first side.**

The tape is rewound to the beginning of the first side, the lead segment is played through for 10 seconds, and recording starts. When the last track programmed for side A is finished, deck 2 enters the recording stop mode. After entering the recording stop mode, go to step 7.

- 7 Press EDIT/CHECK while pressing SHIFT on the remote control to display the program for the second recording.**
"B" is displayed.

- 8 Turn over the tape in deck 2 and press ● REC/REC MUTE to start recording on the second side.**

To stop recording

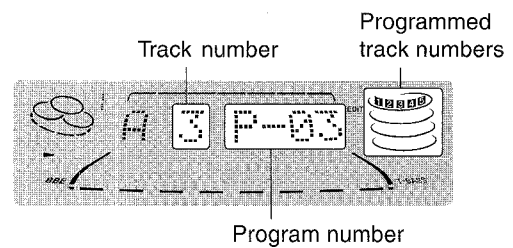
Press **■**. Recording and CD play stop simultaneously.

To clear the edit program

Press **■ CLEAR** twice so that "EDIT" disappears on the display.

To check the order of the programmed track numbers

Before recording, press **EDIT/CHECK** while pressing **SHIFT** on the remote control to select side A or B, and press **◀▶** or **▶▶** repeatedly.



To add tracks from other discs to the edit program

If there is any time remaining on the tape after step 5, you can add tracks from other discs in the CD compartment.

- 1 Press EDIT/CHECK while pressing SHIFT on the remote control to select side A or B.**
- 2 Press DISC DIRECT PLAY 1-3 to select a disc.**
- 3 Press numbered buttons on the remote control to select tracks.**
A track whose playing time is longer than the remaining time cannot be programmed.
- 4 Repeat steps 2 and 3 to add more tracks.**

Time on cassette tapes and editing time

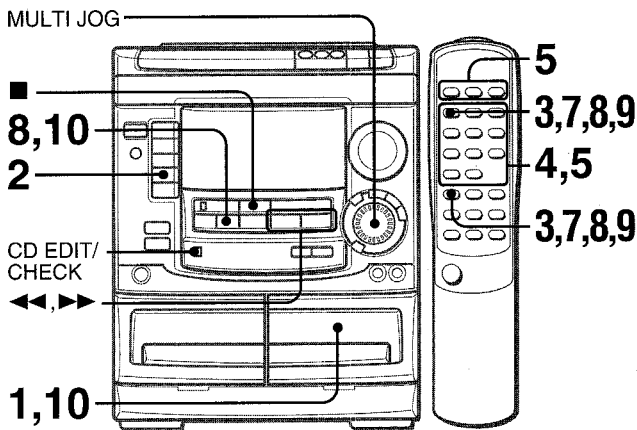
The actual cassette recording time is usually a little longer than the specified recording time printed on the label. This unit can program tracks to use the extra time. When the total recording time is a little longer than the tape's specified recording time after editing, the display shows the extra time (without a minus mark), instead of the time remaining on the tape (with the minus mark).

NOTE

The AI edit recording function cannot be used with discs containing 31 tracks or more.

* **CD EDIT/CHECK** on the unit is also available instead of **EDIT CHECK** on the remote control.

PROGRAMMED EDIT RECORDING



In the programmed edit recording function the tracks can be programmed while checking the remaining time on each side of the tape.

NOTE

The programmed edit recording will not start from a point halfway in the tape. The tape must be recorded on from the beginning of either side.

1 Insert the tape into deck 2.

Insert the tape with the side to be recorded on first facing out from the unit.

2 Press CD and load the disc(s).

3 Press EDIT/CHECK twice while pressing SHIFT on the remote control.

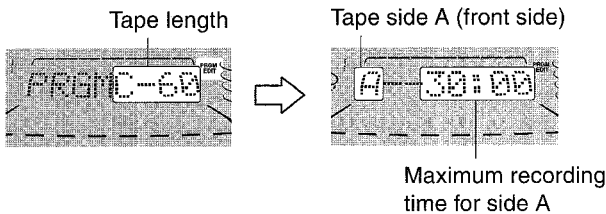
"EDIT" and "PRGM" appear.

- When "AI" is displayed, press **EDIT/CHECK** while pressing **SHIFT** again.

4 Press numbered buttons on the remote control to designate the tape length.

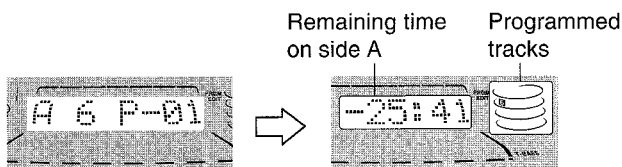
10 to 99 minutes can be specified.

- The **◀▶** or **MULTI JOG** are also available to designate the tape length.



5 Press DISC DIRECT PLAY 1-3 to select a disc. Then, press numbered buttons 0-9 and + 10 on the remote control to program a track.

Example: To select the 10th track of disc 2, press **DISC DIRECT PLAY 2**, then press **+10** and **0**.



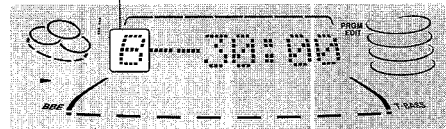
6 Repeat step 5 for the rest of the tracks for side A.

A track whose playing time is longer than the remaining time cannot be programmed.

7 Press EDIT/CHECK while pressing SHIFT on the remote control to select side B and program the tracks for side B.

After confirming "B" on the display, repeat step 5.

Tape side B (reverse side)



8 Press EDIT/CHECK while pressing SHIFT to select side A and press ● REC/REC MUTE to start recording.

CD play and recording of edited tracks for the first side start simultaneously. When the last track programmed for side A is finished, deck 2 enters the recording stop mode. After entering the recording stop mode, go to step 9.

9 Press EDIT/CHECK while pressing SHIFT on the remote control for recording of the second side.

"B" is displayed.

10 Turn over the tape in deck 2 and press ● REC/REC MUTE to start recording.

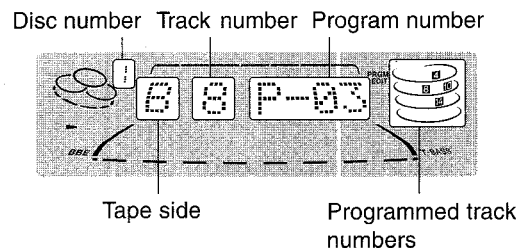
Recording starts.

To stop recording

Press **■**. Recording and CD play stop simultaneously.

To check the order of the programmed track numbers

Before recording, press **EDIT/CHECK** while pressing **SHIFT** on the remote control to select side A or B, and press **◀▶** or **▶▶** repeatedly.



To change the program of each side

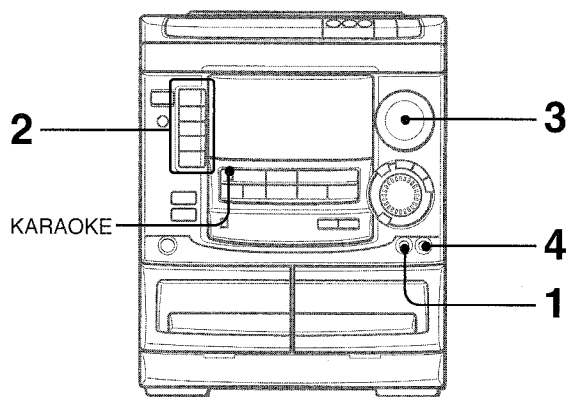
Press **EDIT/CHECK** while pressing **SHIFT** on the remote control to select side A or B, and press **■ CLEAR** to clear the program on the selected side. Then program tracks again.

To clear the edit program

Press **■ CLEAR** twice so that "EDIT" disappears on the display.

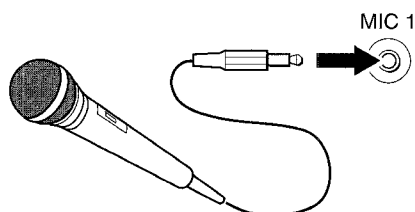
* **CD EDIT/CHECK** on the unit is also available instead of **EDIT CHECK** on the remote control.

MICROPHONE MIXING



A microphone (not supplied) can be connected to this unit, allowing you to sing along to music sources. Use a microphone with mini plugs (ø3.5 mm, 1/8 inch).

1 Connect your microphone to the MIC jack.



2 Press one of function to select the source to be mixed, and play the source.

3 Adjust the volume and tone of the source.

4 Turn the MIC VOLUME control to adjust the microphone volume.

To record microphone sound mixed with source sound
Follow the procedure for recording from the sound source (see page 12).

SYNCHRO DUBBING cannot be used for mixing recording.

When not using the microphone

Set the microphone volume to **MIN** and remove the microphone from the **MIC** jack.

NOTE

- If a microphone is held too near the speakers, a howling sound may be produced. In this case, hold the microphone away from the speakers, or decrease the microphone volume.
- If sound through the microphone is extremely loud, it may be distorted. In this case, decrease the microphone volume.

Recommended microphone

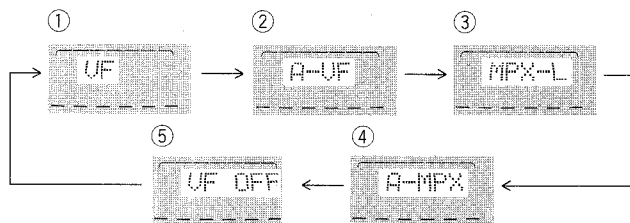
The use of unidirectional type microphone is recommended to prevent howling. Contact your local Aiwa dealer for details.

VOCAL FADER/MULTIPLEX FUNCTIONS

This unit can use discs or tapes as Karaoke sources. Use the vocal fader function for ordinary discs or tapes. Use the multiplex function for multi audio discs or tapes.

Press KARAOKE repeatedly to select the vocal fader or multiplex function.

Each time **KARAOKE** is pressed, one of these functions is selected cyclically.



- 1 Vocal Fader**
The singer's voice becomes softer than the accompaniment.
- 2 Auto Vocal Fader**
The singer's voice becomes softer only while there is audio input through a microphone.
- 3 Multiplex**
The sound on the left channel is heard from both speakers and the sound on the right channel is muted. To hear the sound on the right channel, see below.
- 4 Auto Multiplex**
The sound on the left channel is heard from both speakers, and the sound on the right channel is muted only while there is audio input through a microphone. To hear the sound on the right channel, see below.
- 5 Cancel**

To change the time lag setting in Auto Vocal Fader or Auto Multiplex function

The muted original singer's voice can be turned faster to the normal level.

When Auto Vocal Fader or Auto Multiplex is selected, "A-VF" or "A-MPX" is displayed for 3 seconds and changes to the selected function name. After the selected function name is displayed, keep pressing KARAOKE until "FAST" is displayed.

To return to the initial setting, select **SLOW**.

When the power is turned off, **SLOW** is restored.

To change the audible channel in Multiplex function

When Multiplex is selected, "MPX -L" is displayed for 3 seconds and changes to the selected function name. After the selected function name is displayed, keep pressing KARAOKE until "MPX-R" is displayed.

To return to the initial setting, select **MPX-L**.

When the power is turned off, **MPX-L** is restored.

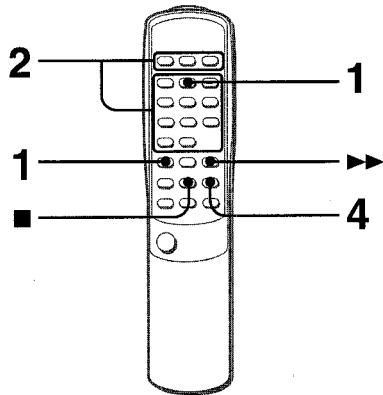
NOTE

- The Karaoke functions may not operate correctly with the following kinds of CDs or tapes.
 - Those with monaural sound
 - Those recorded with strong echoes
 - Those with the vocal part recorded on the right or left side of the sound width
- While the Karaoke function is on, the sound is output as monaural.
- When the function is changed, the Karaoke function is canceled.

RECORDING
KARAOKE

En

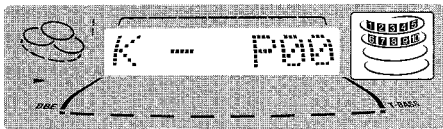
KARAOKE PROGRAM



Before or during CD play, you can reserve up to 15 tracks to be played after the current track. Each reservation is cleared when it finishes playing.

Use the remote control.

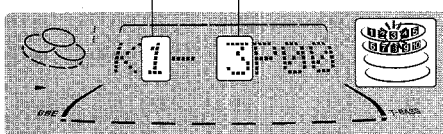
1 Press PRGM once while pressing SHIFT.



2 Press one of DISC DIRECT PLAY 1-3 to select a disc.

Then, press the numbered buttons and the + 10 button to program a track.

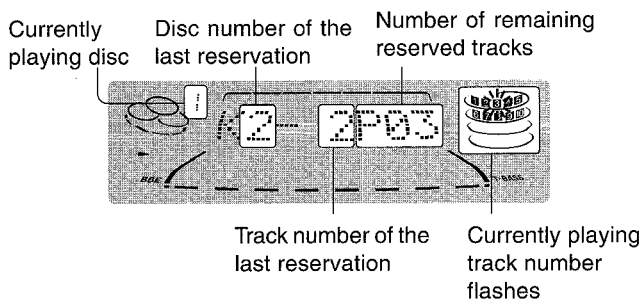
Reserved disc number Reserved track number



3 Repeat step 2 to reserve other tracks.

4 Press ◀▶ to start play.

After a track is played, it is cleared from the program.



To add a reservation during play

Repeat step 2.

To check the reserved tracks

Press **CD EDIT/CHECK** on the main unit or **EDIT CHECK** while pressing **SHIFT** on the remote control repeatedly. Each time it is pressed, the disc number and track number are displayed in the reserved order.

To stop play

Press **■**.

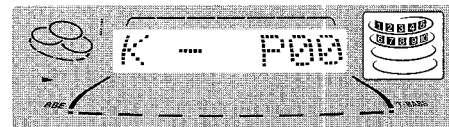
When **◀▶** is pressed, the play starts from the last track again.

To skip a current track

Press **▶▶**. The skipped track is cleared from the program.

To clear all the reservations

Press **▶▶** repeatedly until "K - P00" is displayed.

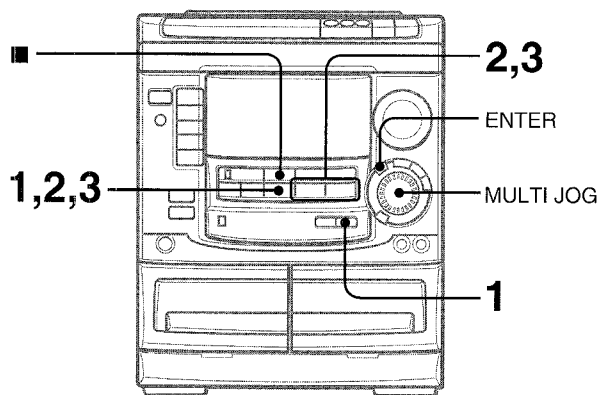


Press it once more to cancel the Karaoke programs. The display returns to that of CD play.

NOTE

- If the reserved track number does not exist on the selected disc, the unit stops playing and the display flashes. In this case, press **▶▶** to skip the error track. Then press **◀▶** to start play with the next reserved track.
- When **PRGM** is pressed repeatedly in step 1, "PRGM" is displayed and the unit enters CD program play mode (page 10). To cancel program play, press **■ CLEAR**.

SETTING THE CLOCK



1 Press CLOCK, then press ■ SET within 4 seconds.



When using the remote control

Press **CLOCK** while pressing **SHIFT**, then press ■ **SET** within 4 seconds.

2 Press ◀◀ DOWN or ▶▶ UP to designate the hour, then press ■ SET.

The hour stops flashing and the minute starts flashing.

3 Press ◀◀ DOWN or ▶▶ UP to designate the minute, then press ■ SET.

The minute stops flashing on the display and the clock starts from 00 seconds.

To display the current time

Press **CLOCK**. The time is displayed for 4 seconds. However, the time cannot be displayed during recording.

To switch to the 24-hour standard

Press the **CLOCK** and then press ■ within 4 seconds. Repeat the same procedure to restore the 12-hour standard.

If the clock display flashes

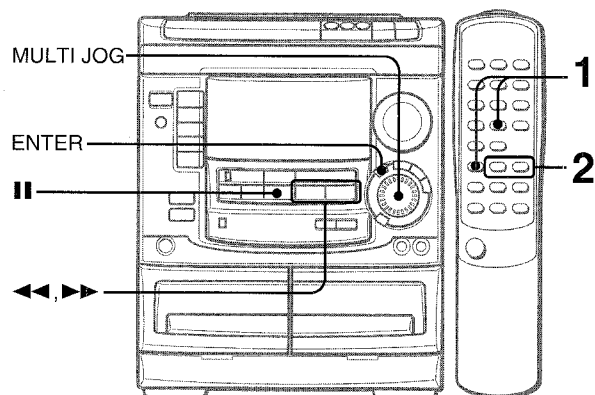
This is caused by a power interruption. The current time needs to be reset.

If power is interrupted for more than approximately 24 hours, all settings stored in memory after purchase need to be reset.

* **ENTER** is also available instead of ■ **SET**.

* **MULTI JOG** is also available instead of ◀◀ and ▶▶.

SETTING THE SLEEP TIMER



The unit can be turned off automatically at a specified time.

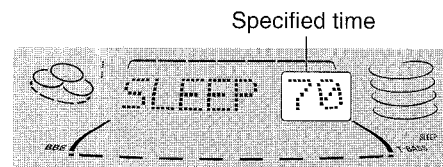
Use the remote control.

1 Press SLEEP while pressing SHIFT.



2 Within 4 seconds, press ◀◀ or ▶▶ to specify the time until the power is turned off.

Each time the button is pressed, the time changes between 5 and 240 minutes in 5-minute steps.



To check the time remaining until the power is turned off

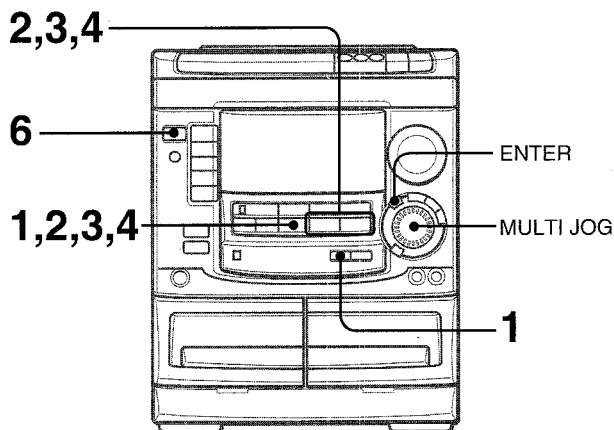
Press **SLEEP** once while pressing **SHIFT**. The remaining time is displayed for 4 seconds.

To cancel the sleep timer

Press **SLEEP** twice while pressing **SHIFT** so that "SLEEP OFF" appears on the display.

* **MULTI JOG** is also available instead of ◀◀ and ▶▶.

SETTING THE TIMER



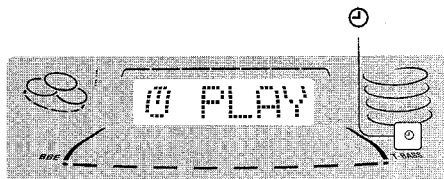
The unit can be turned on at a specified time every day with the built-in timer.

Preparation

Make sure the clock is set correctly.

- 1 Press **TIMER** repeatedly to display ☉, then press **|| SET** within 6 seconds.

☉ is displayed and the hour flashes.



NOTE

If you press **|| SET** after 6 seconds, another operation may start.

- 2 Designate the hour of the timer-on time by pressing **◀ DOWN** or **▶ UP**, then press **|| SET**.

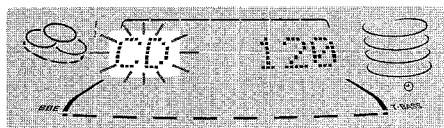
Repeat to designate the minute of the timer-on time.



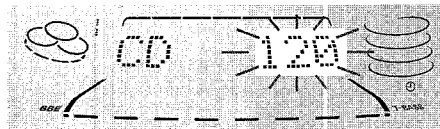
After you designate the timer-on time, one of the source names flashes on the display.

- 3 Press **◀ DOWN** or **▶ UP** to select a source, then press **|| SET**.

• If **TUNER (AM or FM)** is selected, the band cannot be selected in this step.



- 4 Select the duration for the timer-activated period with **◀ DOWN** or **▶ UP**, then press **|| SET**.



The duration for the timer-activated period can be set between 5 and 240 minutes in 5-minute steps.

- 5 Prepare the source.

To listen to a CD, load the disc to be played first on tray 1.

To listen to a tape, insert the tape into deck 1 or 2.

To listen to the radio, tune in to a station.

- 6 Press **POWER** to turn the unit off after adjusting the volume and tone.

☉ remains on the display after the power is turned off (timer standby mode).



When the timer-on time is reached, the unit turns on and begins play with the selected source.

The volume level is automatically set to 20 when the power is turned off with the volume level set to 21 or more.

To check the specified time and source

Press **TIMER**. The timer-on time, the selected source name and the duration for the timer-activated period are displayed for 4 seconds.

To cancel timer standby mode temporarily

Press **TIMER** repeatedly until ☉ or ☉REC disappears on the display.

To restore the timer standby mode, press **TIMER** once or twice to display ☉ or ☉REC.

Using the unit while the timer is set

You can use the unit normally after setting the timer.

Before turning the power off, carry out step 5 to prepare the source, and adjust the volume and tone.

NOTE

- Timer playback and timer recording will not begin unless the power is turned off.
- Connected equipment cannot be turned on and off by the built-in timer of this unit. Use an external timer.

TIMER RECORDING

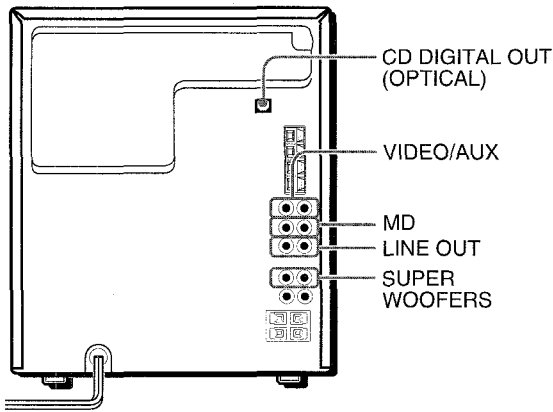
Timer recording is applicable for **TUNER** and **VIDEO/AUX** (with an external timer) sources only.

Press **TIMER** repeatedly until ☉REC appears, then press **|| SET** within 6 seconds. Carry out the steps of "SETTING THE TIMER" from step 2 and insert the tape to be recorded on into deck 2 after step 5.

* **ENTER** is also available instead of **|| SET**.

* **MULTI JOG** is also available instead of **◀** and **▶**.

CONNECTING OPTIONAL EQUIPMENT



Refer to the operating instructions of the connected equipment for details.

- The connecting cords are not supplied. Obtain the necessary connecting cords.
- Consult your local Aiwa dealer for optional equipment.

VIDEO/AUX JACKS, MD JACKS

This unit can input analog sound signals through these jacks. Use a cable with RCA phono plugs to connect audio equipment (turntables, LD players, MD players, VCRs, TV, etc.). Connect the red plug to the **R** jack, and the white plug to the **L** jack.

When connecting a turntable

Use an Aiwa turntable equipped with a built-in equalizer amplifier.

LINE OUT JACKS

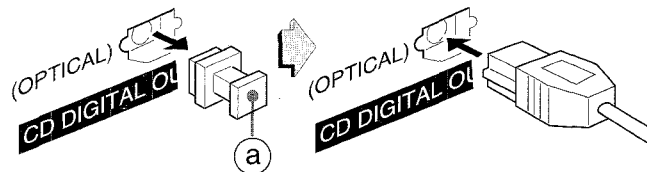
This unit can output analog sound signal through these jacks. Use a cable with RCA phono plugs to connect audio equipment with **LINE IN** (analog input) jacks.

NOTE

Do not connect an equipment to the **LINE OUT** terminals and **VIDEO/AUX** terminals simultaneously. Otherwise, noise is generated and malfunction occurs.

CD DIGITAL OUT (OPTICAL) JACK

This unit can output CD digital sound signals through this jack. Use an optical cable to connect digital audio equipment (DAT deck, MD recorder, etc.). Remove the dust cap **a** from the **CD DIGITAL OUT (OPTICAL)** jack. Then, connect an optical cable plug to the **CD DIGITAL OUT (OPTICAL)** jack.

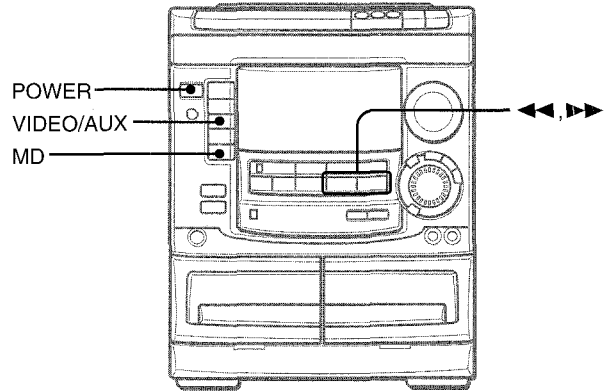


When the **CD DIGITAL OUT (OPTICAL)** jack is not being used Attach the supplied dust cap.

SUPER WOOFERS JACKS

Connect optional powered sub woofers with built-in-amplifiers to the jacks.

LISTENING TO EXTERNAL SOURCES



To play equipment connected to the **VIDEO/AUX** or **MD** jacks proceed as follows.

1 Press VIDEO/AUX or MD.

When a equipment connected to the **VIDEO/AUX** jacks is played: press **VIDEO/AUX**.

When a equipment connected to the **MD** jacks is played: press **MD**.

2 Play the connected equipment.

To change a source name in the display

When **VIDEO/AUX** is pressed, "VIDEO" is displayed initially. It can be changed to "AUX" or "TV".

With the power on, press **POWER** while pressing **VIDEO/AUX**. Repeat the procedure to select one of the names.

To adjust the sound level of the external source

When the sound level of the external source is much higher or much lower than that of other function sources, adjust it as follows.

- 1 Press **VIDEO/AUX** or **MD** and play the equipment.
- 2 Press **◀◀** or **▶▶** so that the sound level becomes the same as that of other function sources.

NOTE

During recording, the sound level can not be adjusted.

CARE AND MAINTENANCE

Occasional care and maintenance of the unit and the software are needed to optimize the performance of your unit.

To clean the cabinet

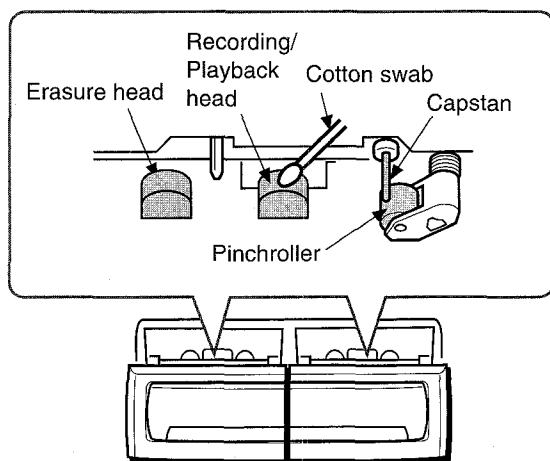
Use a soft and dry cloth.

If the surfaces are extremely dirty, use a soft cloth lightly moistened with mild detergent solution. Do not use strong solvents, such as alcohol, benzine or thinner as these could damage the finish of the unit.

To clean the heads and tape paths

After every 10 hours of use, clean the heads and tape paths with a head cleaning cassette or cotton swab moistened with cleaning fluid or denatured alcohol. (These cleaning kits are commercially available.)

When cleaning with a cotton swab, wipe the playback/recording head (deck 2 only), erasure head (deck 2 only), capstans, and pinchrollers.



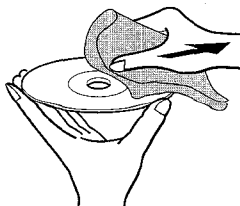
After cleaning the heads and tape paths with a liquid head cleaning cassette or a moistened swab, wait until the cleaned parts are completely dry before inserting the tapes.

To demagnetize the heads

The heads may become magnetized after long-term use. This may narrow the output range of recorded tapes and increase noise. After 20 to 30 hours use, demagnetize the heads with any commercially available demagnetizer.

Care of discs

- When a disc becomes dirty, wipe the disc from the center out with a cleaning cloth.



- After playing a disc, store the disc in its case. Do not leave the disc in places that are hot or humid.

Care of tapes

- Store tapes in their cases after use.
- Do not leave tapes near magnets, motors, television sets, or any source of magnetism. This will downgrade the sound quality and cause noise.
- Do not expose tapes to direct sunlight, or leave them in a car parked in direct sunlight.

TROUBLESHOOTING GUIDE

If the unit fails to perform as described in these Operating Instructions, check the following guide.

GENERAL

There is no sound.

- Is the AC cord connected properly?
- Is there a bad connection? (→ page 3)
- There may be a short circuit in the speaker terminals.
 - Disconnect the AC cord, wait for at least 5 seconds, and then correct the speaker connections.
- Was an incorrect function button pressed?

Sound is emitted from one speaker only.

- Is the other speaker disconnected?

The output sound is not stereo.

- Is the Karaoke function turned on? (→ page 16)

An erroneous display or a malfunction occurs.

- Reset the unit as stated below.

TUNER SECTION

There is constant, wave-like static.

- Is the antenna connected properly? (→ page 4)
- Is the signal weak?
 - Connect an outdoor antenna.

The reception contains noise interferences or the sound is distorted.

- Is the system picking up external noise or multipath distortion?
 - Change the orientation of the antenna.
 - Move the unit away from other electrical appliances.

CASSETTE DECK SECTION

The tape does not run.

- Is deck 2 in pause mode? (→ page 11)

The sound is off-balance or not adequately high.

- Is the playback head dirty? (→ page 21)

Recording is not possible.

- Is the erasure prevention tab on the tape broken off? (→ page 12)
- Is the recording head dirty? (→ page 21)

Erasure is not possible.

- Is the erasure head dirty? (→ page 21)
- Is a metal tape being used?

High frequency sound is not emitted.

- Is the recording/playback head dirty? (→ page 21)

CD PLAYER SECTION

The CD player does not play.

- Is the disc correctly placed? (→ page 9)
- Is the disc dirty? (→ page 21)
- Is the lens affected by condensation?
 - Wait approximately one hour and try again.

To reset

If an unusual condition occurs in the display window or the cassette decks, reset the unit as follows.

- 1 Press **POWER** to turn off the power.
- 2 Press **POWER** to turn the power back on while pressing **CLEAR**. Everything stored in memory after purchase is canceled.

If the power cannot be turned off in step 1 because of a malfunction, reset by disconnecting the AC cord, and connect it again. Then carry out step 2.

SPECIFICATIONS

Main unit CX-NA508

FM tuner section

Tuning range	87.5 MHz to 108 MHz
Usable sensitivity (IHF)	13.2 dBf
Antenna terminals	75 ohms (unbalanced)

AM tuner section

Tuning range	530 kHz to 1710 kHz (10 kHz step) 531 kHz to 1602 kHz (9 kHz step)
Usable sensitivity	350 μ V/m
Antenna	Loop antenna

Amplifier section

Power output	60 W + 60 W (50 Hz – 20 kHz, THD less than 1%, 6 ohms)
Total harmonic distortion	0.05 % (50 W, 1 kHz, 6 ohms, DIN AUDIO)
Inputs	VIDEO/AUX: 150 mV (adjustable) MD: 150 mV (adjustable) MIC: 1.8 mV (10 k ohms)
Outputs	LINE OUT: 200 mV SUPER WOOFERS: 1.9V SPEAKERS: accept speakers of 6 ohms or more SURROUND SPEAKERS: accept speakers of 8 ohms to 16 ohms PHONES (stereo jack): accepts headphones of 32 ohms or more

Cassette deck section

Track format	4 tracks, 2 channels stereo
Frequency response	50 Hz – 15000 Hz
Recording system	AC bias
Heads	Deck 1: Playback head \times 1 Deck 2: Recording/playback head \times 1, erase head \times 1

Compact disc player section

Laser	Semiconductor laser ($\lambda = 780$ nm)
D-A converter	1 bit dual
Signal-to-noise ratio	85 dB (1 kHz, 0 dB)
Harmonic distortion	0.05 % (1 kHz, 0 dB)
Wow and flutter	Unmeasurable

General

Power requirements	120 V AC, 60 Hz
Power consumption	100 W
Dimensions of main unit (W \times H \times D)	260 \times 329.1 \times 344.5 mm (10 $\frac{1}{4}$ \times 13 \times 13 $\frac{5}{8}$ in.)
Weight of main unit	6.4 kg (14 lbs 2 oz.)

Speaker system SX-NA502

Cabinet type	3 way, bass reflex (magnetic shielded type)
Speakers	Woofer: 140 mm (5 $\frac{5}{8}$ in.) cone type Tweeter: 60 mm (2 $\frac{3}{8}$ in.) cone type Super tweeter: 10 mm (13/32 in.) ceramic type
Impedance	6 ohms
Output sound pressure level	87 dB/W/m
Dimensions (W \times H \times D)	235 \times 324 \times 250 mm (9 $\frac{3}{8}$ \times 12 $\frac{7}{8}$ \times 9 $\frac{7}{8}$ in.)
Weight	3.3 kg (7 lbs 4 oz.)

Specifications and external appearance are subject to change without notice.

BBE SYSTEM

The word "BBE" and the "BBE symbol" are trademarks of BBE Sound, Inc.
Under license from BBE Sound, Inc.

COPYRIGHT

Please check the laws on copyright relating to recordings from discs, radio or external tape for the country in which the machine is being used.

NOTE

This equipment has been tested and found to comply with the limits for a Class B digital device, pursuant to Part 15 of the FCC Rules. These limits are designed to provide reasonable protection against harmful interference in a residential installation.

This equipment generates, uses, and can radiate radio frequency energy and, if not installed and used in accordance with the instructions, may cause harmful interference to radio communications. However, there is no guarantee that interference will not occur in a particular installation. If this equipment does cause harmful interference to radio or television reception, which can be determined by turning the equipment off and on, the user is encouraged to try to correct the interference by one or more of the following measures:

- Reorient or relocate the receiving antenna.
- Increase the separation between the equipment and receiver.
- Connect the equipment into an outlet on circuit different from that to which the receiver is connected.
- Consult the dealer or an experienced radio/TV technician for help.

CAUTION

Modifications or adjustments to this product, which are not expressly approved by the manufacturer, may void the user's right or authority to operate this product.

ADVERTENCIA

PARA REDUCIR EL RIESGO DE INCENDIOS O SACUDIDAS ELECTRICAS, NO EXPONGA ESTE APARATO A LA LLUVIA NI A LA HUMEDAD.



Explicación de los símbolos gráficos:



El símbolo del rayo con punta de flecha, en el interior de un triángulo equilátero, tiene la finalidad de avisar al usuario de la presencia de "tensiones peligrosas" sin aislar en el interior del producto que podrían ser de suficiente magnitud como para constituir un riesgo de sacudida eléctrica para las personas.



El signo de exclamación en el interior de un triángulo equilátero tiene la finalidad de avisar al usuario de la presencia de instrucciones de operación y mantenimiento (reparación) en el material impreso que acompaña al aparato.

Anotación del propietario


Para su conveniencia, anote el número de modelo y el número de serie (los encontrará en el panel trasero de su aparato) en el espacio suministrado más abajo. Menciónelos cuando se ponga en contacto con su concesionario Aiwa en caso de tener dificultades.

N.º de modelo	N.º de serie (N.º de lote)
CX-NA508	
SX-NA502	
SX-R275	

PRECAUCIONES

Lea cuidadosa y completamente el manual de instrucciones antes de utilizar la unidad. Asegúrese de guardar el manual de instrucciones para utilizarlo como referencia en el futuro. Todas las advertencias y precauciones del manual de instrucciones y de la unidad deberán cumplirse estrictamente, así como también las sugerencias de seguridad mencionadas más abajo.

Instalación

- 1 Agua y humedad** — No utilice esta unidad cerca del agua como, por ejemplo, cerca de una bañera, una palangana, una piscina o algo similar.
- 2 Calor** — No utilice esta unidad cerca de fuentes de calor, incluyendo salidas de aire caliente, estufas u otros aparatos que generen calor.
No deberá colocarse tampoco en lugares donde la temperatura sea inferior a 5°C o superior a 35°C.
- 3 Superficie de montaje** — Ponga la unidad sobre una superficie plana y nivelada.
- 4 Ventilación** — La unidad deberá situarse donde tenga suficiente espacio libre a su alrededor, para que la ventilación apropiada quede asegurada. Deje un espacio libre de 10 cm por la parte posterior y superior de la unidad, y 5 cm por cada lado.
 - No ponga la unidad sobre una cama, una alfombra o superficies similares que podrían tapar las aberturas de ventilación.
 - No instale la unidad en una librería, mueble o estantería cerrada herméticamente donde la ventilación no sea adecuada.
- 5 Entrada de objetos y líquidos** — Tenga cuidado de que objetos y líquidos no entren en la unidad por las aberturas de ventilación.
- 6 Carros de mano y soportes** — Cuando ponga o monte la unidad en un soporte o carro de mano, ésta deberá moverse con mucho cuidado.
Las paradas repentinas, la fuerza excesiva y las superficies irregulares pueden hacer que la unidad o el carro de mano se dé vuelta o se caiga.
 
- 7 Condensación** — En la lente del fonocaptor del reproductor de discos compactos tal vez se forme condensación cuando:
 - La unidad se pase de un lugar frío a uno caliente
 - El sistema de calefacción se acabe de encender
 - La unidad se utilice en una habitación muy húmeda
 - La unidad se enfríe mediante un acondicionador de aire
 Esta unidad tal vez funcione mal cuando tenga condensación en su interior. En este caso, deje en reposo la unidad durante unas pocas horas y repita de nuevo la operación.
- 8 Montaje en pared o techo** — La unidad no se deberá montar en una pared ni en el techo, a menos que se especifique lo contrario en el manual de instrucciones.

Energía eléctrica

- 1 Fuentes de alimentación** — Conecte solamente esta unidad a las fuentes de alimentación especificadas en el manual de instrucciones, y como está marcado en la unidad.
- 2 Polarización** — Como característica de seguridad, algunas unidades están equipadas con clavijas de alimentación de CA polarizadas, las cuales sólo se pueden insertar de una forma en las tomas de corriente. Si resulta difícil o imposible insertar la clavija de alimentación de CA en una toma de corriente, dé vuelta a la clavija e inténtelo de nuevo. Si sigue sin poder insertar fácilmente la clavija en la toma de corriente, llame a un electricista cualificado para que modifique o reemplace la toma de corriente. Para evitar anular la característica de seguridad de la clavija polarizada, no la inserte a la fuerza en una toma de corriente.

3 Cable de alimentación de CA

- Cuando desconecte el cable de alimentación de CA, sujete la clavija de alimentación de CA y tire de ella. No tire del propio cable.
- Nunca maneje la clavija de alimentación de CA con las manos mojadas porque podría producirse un incendio o una sacudida eléctrica.
- Los cables de alimentación deberán colocarse de forma que no sean doblados excesivamente, pellizcados o pisados. Tenga mucho cuidado con el cable que va de la unidad a la toma de corriente.
- Evite sobrecargar las tomas de CA y los cables de extensión más allá de su capacidad porque esto podría causar un incendio o una sacudida eléctrica.

4 Cable de extensión — Para evitar sacudidas eléctricas, no utilice la clavija de alimentación de CA polarizada con un cable de extensión, ni tampoco en un receptáculo u otra toma de corriente a menos que la clavija polarizada pueda insertarse completamente evitando que sus patillas queden expuestas.

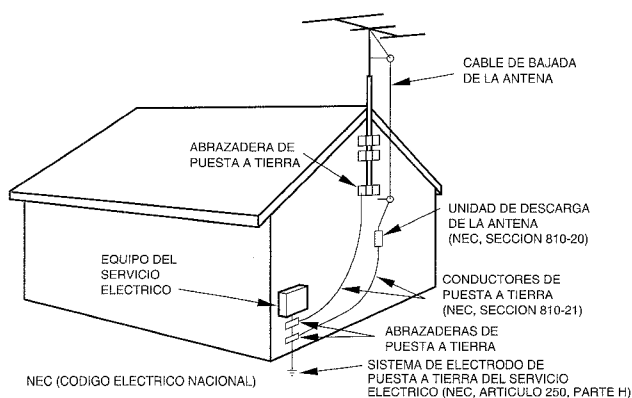
5 Periodos de no utilización — Desenchufe el cable de alimentación de CA de la toma de corriente si la unidad no va a ser utilizada durante varios meses o más. Cuando el cable de alimentación esté conectado, por la unidad continuará circulando una pequeña cantidad de corriente, aunque la alimentación esté desconectada.

Antena exterior

1 Líneas de alta tensión — Cuando conecte una antena exterior, asegúrese de colocarla lejos de las líneas de alta tensión.

2 Conexión a tierra de la antena exterior — Asegúrese de que el sistema de la antena esté conectado correctamente a tierra para proporcionar así una protección contra el exceso inesperado de tensión o contra la acumulación de electricidad estática. El artículo 810 del Código Eléctrico Nacional, ANSI/NFPA70, proporciona información acerca de la puesta a tierra apropiada del mástil de la antena, la estructura de apoyo y el cable de bajada a la unidad de descarga de la antena, así como también del tamaño de la unidad de puesta a tierra, la conexión de los terminales de puesta a tierra y los requisitos para conectar a tierra los mismos terminales.

Puesta a tierra de la antena según el Código Eléctrico Nacional



Mantenimiento

Limpie la unidad sólo como se recomienda en el manual de instrucciones.

Daños que necesitan ser reparados

Haga que un técnico en reparaciones cualificado le repare las unidades si:

- El cable de alimentación de CA o su clavija está estropeado.
- Objetos extraños o líquidos han entrado en la unidad.
- La unidad ha estado expuesta a la lluvia o al agua.
- La unidad no parece funcionar normalmente.
- La unidad muestra un cambio considerable en sus prestaciones.
- La unidad se ha caído o la caja se ha estropeado.

NO TRATE DE REPARAR LA UNIDAD USTED MISMO.

INDICE

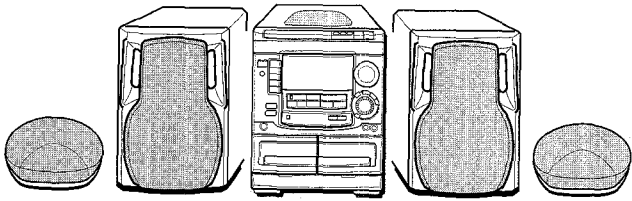
PRECAUCIONES	1
PREPARATIVOS	
CONEXIONES	3
CONTROL REMOTO	5
ANTES DE LA OPERACION	5
SONIDO	
AJUSTES DE AUDIO	6
ECUALIZADOR GRAFICO	7
RECEPCION DE LA RADIO	
SINTONIZACION MANUAL	8
PREAJUSTE DE EMISORAS	8
REPRODUCCION DE DISCOS COMPACTOS	
OPERACIONES BASICAS	9
REPRODUCCION PROGRAMADA	10
REPRODUCCION DE CINTAS	
OPERACIONES BASICAS	11
GRABACION	
GRABACION BASICA	12
COPIADO MANUAL DE UNA CINTA	13
COPIADO DE TODA LA CINTA	13
GRABACION CON EDICION AI	14
GRABACION CON EDICION PROGRAMADA	15
KARAOKE	
MEZCLA MICROFONICA	16
PROGRAMA DE KARAOKE	17
RELOJ Y TEMPORIZADOR	
PUESTA EN HORA DEL RELOJ	18
AJUSTE DEL TEMPORIZADOR PARA DORMIR	18
AJUSTE DEL TEMPORIZADOR	19
OTRAS CONEXIONES	
CONEXION DE UN EQUIPO OPCIONAL	20
ESCUCHA DE FUENTES DE SONIDO EXTERNAS	20
GENERALIDADES	
CUIDADOS Y MANTENIMIENTO	21
GUIA PARA LA SOLUCION DE PROBLEMAS	21
ESPECIFICACIONES	22
INDICE DE LAS PARTES	Cubierta trasera

E

CONEXIONES

Compruebe su sistema y los accesorios

NSX-A508



CX-NA508 Sintonizador, amplificador, platina de casete y reproductor de discos compactos estéreo

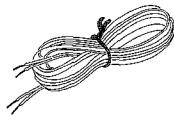
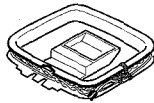
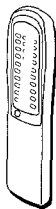
SX-NA502 Altavoces delanteros

SX-R275 Altavoces de sonido ambiental

Control remoto

Antena de AM

Antena de FM



Manual de instrucciones, etc.

Antes de conectar el cable de alimentación de CA

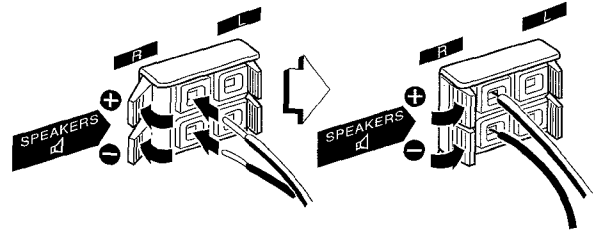
La tensión nominal de su unidad, mostrada en el panel trasero, es de 120 V CA. Asegúrese de que la tensión nominal coincida con la tensión empleada en su localidad.

IMPORTANTE

Conecte primero los altavoces, las antenas y todos los demás equipos opcionales. Finalmente conecte el cable de alimentación de CA.

1 Conecte los altavoces derecho e izquierdo a la unidad principal.

Conecte el cable del altavoz derecho a los terminales **SPEAKERS R**, y el cable del altavoz izquierdo a los terminales **SPEAKERS L**.

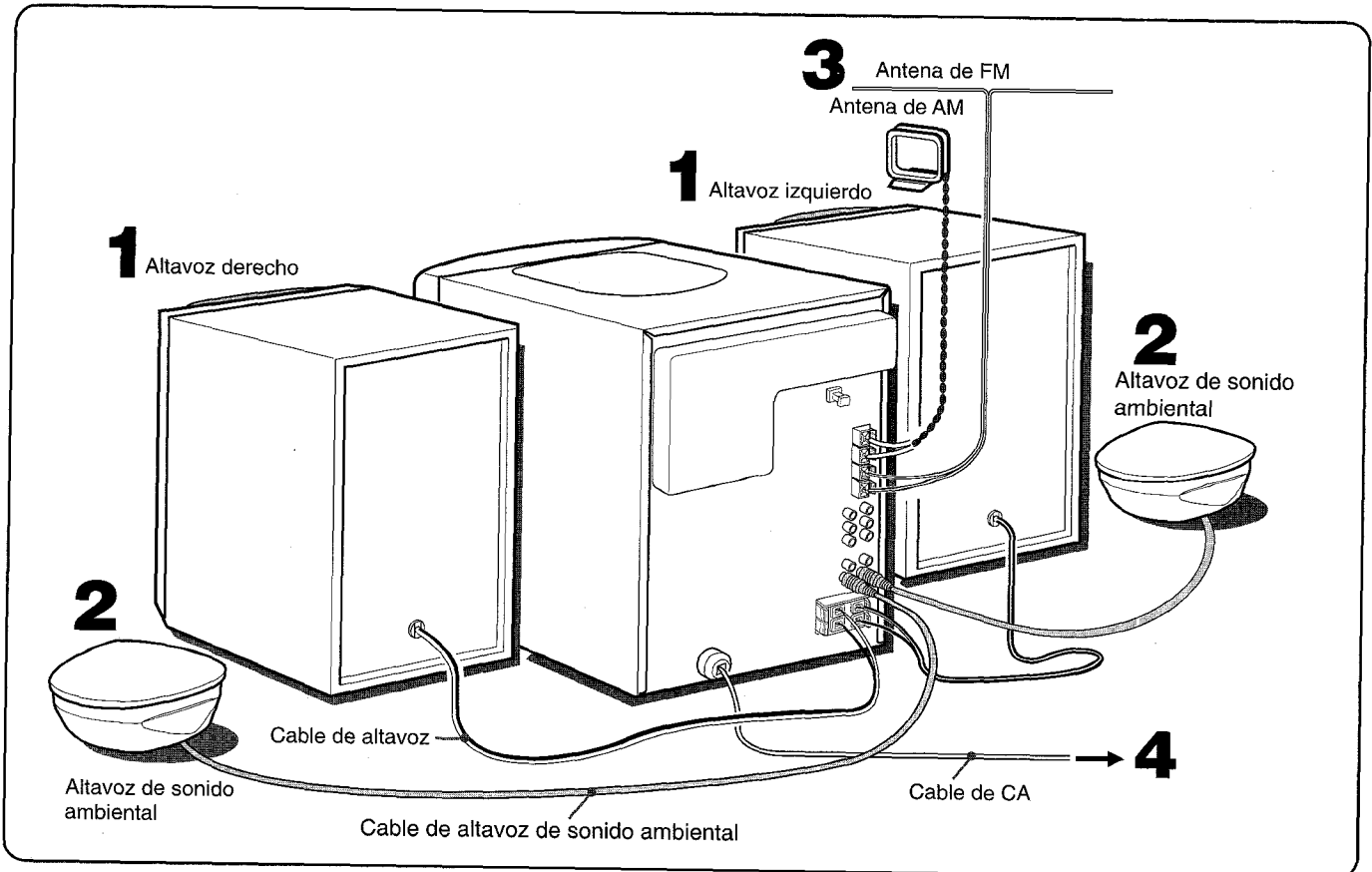
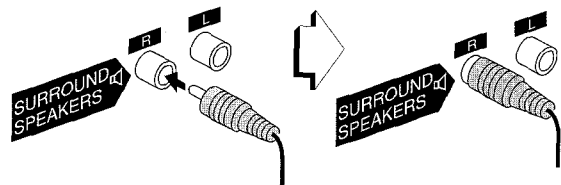


El cable de altavoz con la franja blanca deberá conectarse al terminal **+**, y el cable negro al terminal **-**.

2 Conecte los altavoces de sonido ambiental a la unidad principal.

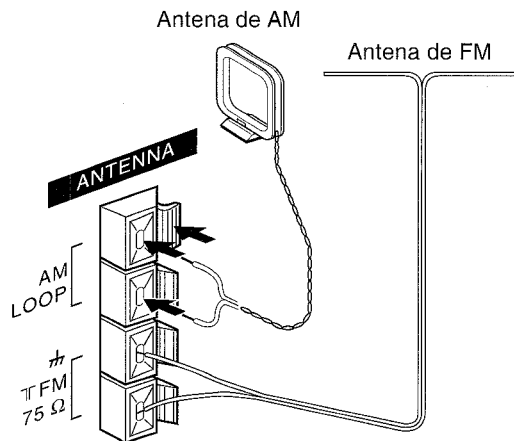
No existen diferencias entre los altavoces de sonido ambiental.

Conecte cada cable de altavoz de sonido ambiental al terminal **SURROUND SPEAKERS R** o **L**.



3 Conecte las antenas suministradas.

Conecte la antena de FM a los terminales **FM 75 Ω**, y la antena de AM a los terminales **AM LOOP**.



4 Conecte el cable de alimentación de CA a una toma de CA.

Para posicionar las antenas

Antena de FM:

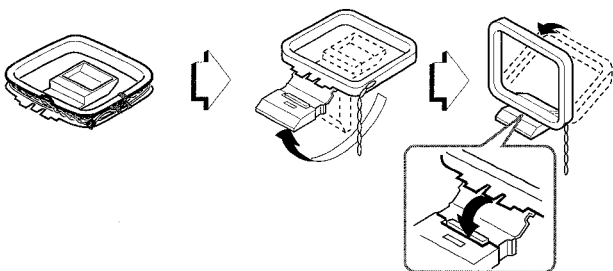
Extienda horizontalmente esta antena formando una T y fije sus extremos en la pared.

Antena de AM:

Póngala para obtener la mejor recepción posible.

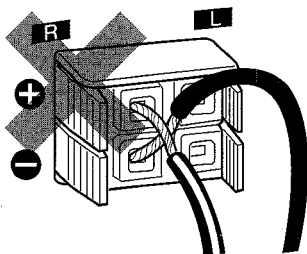
Para poner la antena de AM en posición vertical sobre una superficie

Fije el gancho en la ranura.



NOTA

- Asegúrese de conectar correctamente los cables de los altavoces. Las conexiones mal hechas podrían causar cortocircuitos en los terminales **SPEAKERS**.

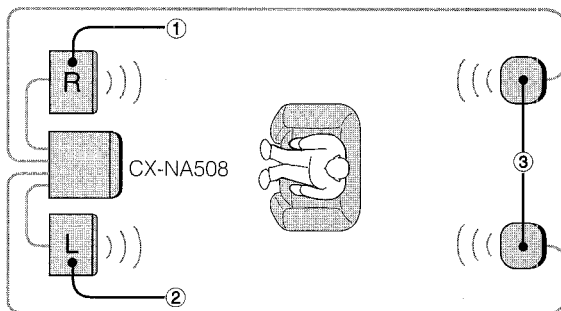


- No deje objetos que generen magnetismo, tales como tarjetas de crédito, cerca de los altavoces porque podrían estropearse.
- No ponga la antena de FM cerca de objetos metálicos o rieles de cortinas.
- No ponga la antena de AM cerca de otros equipos opcionales, el propio sistema estéreo, el cable de alimentación de CA o los cables de los altavoces, porque se captarán ruidos.
- No desbobine el cable de la antena de AM.

POSICIONAMIENTO DE LOS ALTAVOCES

Coloque los altavoces para sacar el mayor provecho del efecto **SURROUND**.

Instalación estándar

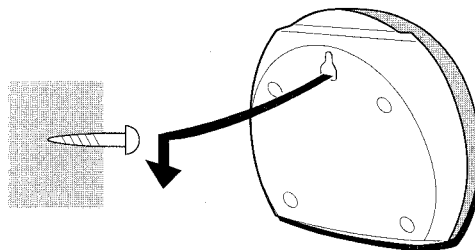


- ① **Altavoz delantero (derecho)**
- ② **Altavoz delantero (izquierdo)**
- ③ **Altavoz de sonido ambiental**

Ponga los altavoces de sonido ambiental por detrás de la zona de escucha.

Para montar los altavoces de sonido ambiental en la pared

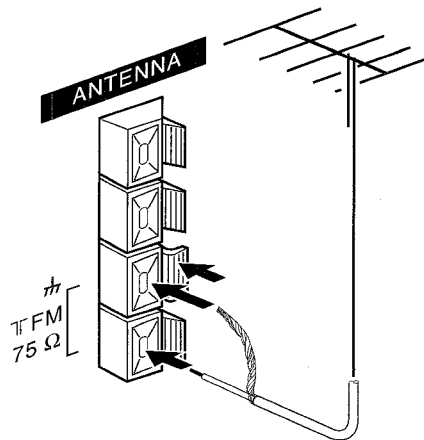
Monte cada altavoz en un lugar que pueda aguantar su peso.



CONEXION DE UNA ANTENA EXTERIOR

Para obtener la mejor recepción de FM se recomienda utilizar una antena exterior.

Conecte la antena exterior a los terminales **FM 75 Ω**.

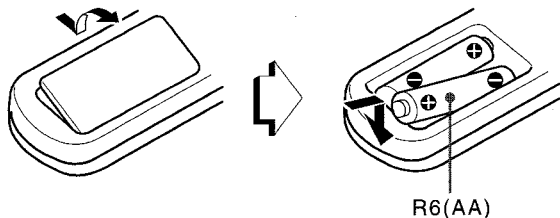


Para conectar otro equipo opcional → página 20.

CONTROL REMOTO

Inserción de las pilas

Quite la tapa de las pilas, ubicada en la parte trasera del control remoto, e inserte dos pilas R6 (tamaño AA).



Cuándo reemplazar las pilas

La distancia máxima de operación entre el control remoto y el sensor de señales de la unidad principal deberá ser de 5 metros aproximadamente. Cuando disminuya esta distancia, reemplace las pilas por otras nuevas.

Para utilizar SHIFT del control remoto

Los botones ① tienen dos funciones diferentes. Una de estas funciones se indica en el botón, y la otra en la placa situada encima del botón.

Para utilizar la función del botón, pulse simplemente el botón. Para utilizar la función de la placa situada encima del botón, pulse el botón mientras pulsa **SHIFT**.

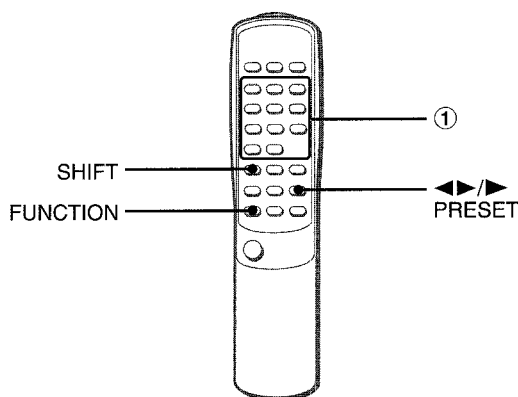
Para utilizar FUNCTION del control remoto

FUNCTION sustituye a los botones de función (**TAPE DECK 1/2**, **TUNER**, **VIDEO/AUX**, **CD** y **MD**) de la unidad principal.

Cada vez que se pulse **FUNCTION**, la siguiente función se seleccionará cíclicamente. Cuando haya cintas insertadas en ambas platinas, cada platina se seleccionará con **FUNCTION**.

◀▶/▶ PRESET del control remoto

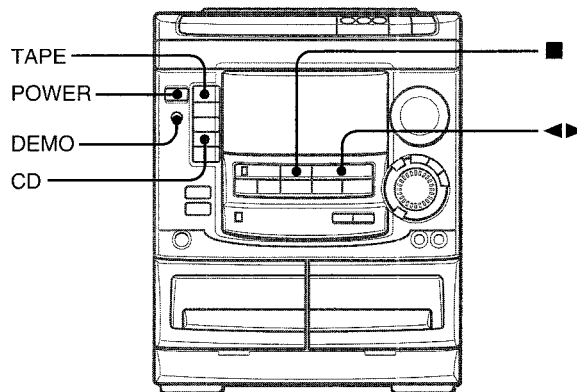
La función es la misma que la de ◀▶ de la unidad principal.



NOTA

- Si el control remoto no va a ser utilizado durante mucho tiempo, quite las pilas para evitar las posibles fugas de electrolito.
- El control remoto quizá no funcione correctamente cuando:
 - La línea de visión entre el control remoto y el sensor de señales del interior del visualizador esté expuesta a una luz intensa como, por ejemplo, la luz del sol.
 - Otros controles remotos (los de un televisor, etc.) estén siendo utilizados cerca de esta unidad.

ANTES DE LA OPERACION



Para conectar la alimentación

Pulse uno de los botones de función (**TAPE**, **TUNER**, **VIDEO/AUX**, **CD**, **MD**). La reproducción de la cinta o del disco insertado empezará o se recibirá la emisora previamente sintonizada (función de reproducción directa).

También podrá utilizarse **POWER**.

Cuando se encienda la unidad, el compartimiento de los discos tal vez se abra y se cierre para reponer la unidad.

Para desconectar la alimentación

Pulse **POWER**.

Ventanillas parpadeantes

Las ventanillas de la parte superior de la unidad y de las platinas de casete se encenderán o parpadearán mientras la alimentación esté conectada.

Para apagar la luz de la ventanilla superior, pulse ■ mientras pulsa **CD**. Para volver a encenderla, repita el procedimiento seguido para apagarla.

Demstración del juego

Cuando se conecte el cable de alimentación de CA, el visualizador hará una demostración del juego. Cuando se conecte la alimentación, la demostración del juego será anulada por la visualización de la operación. Cuando se desconecte la alimentación, la demostración del juego se repondrá.

Para cancelar la demostración del juego

Pulse **DEMO**. Para reactivar la demostración del juego, pulse de nuevo **DEMO**.

Para disfrutar del juego

- 1 Pulse **DEMO** para que se visualice la demostración del juego.
- 2 Pulse ◀▶.
- 3 Pulse una vez ■.
- 4 Pulse dos veces ■ para detener los dos números restantes.

Puntuación:

Al empezar el juego dispondrá de 20 puntos.

Si todos los números son iguales se añadirán 50 puntos a la puntuación.

Si no son iguales se restará un punto.

Si los puntos ganados llegan a 9999, usted gana.

Si los puntos se reducen a 0, usted pierde.

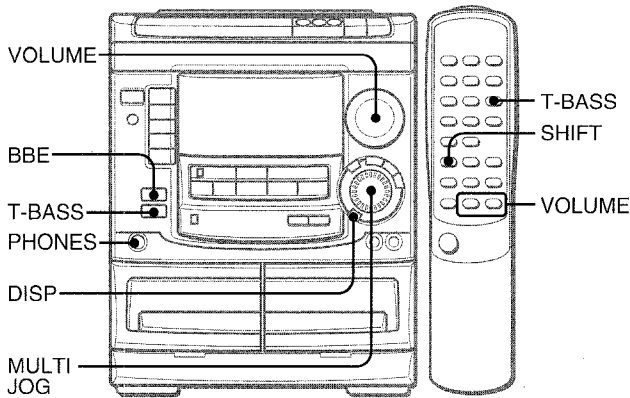
Para reiniciar el juego

Pulse **DEMO** dos veces y luego pulse ◀▶. El juego empieza de nuevo.

NOTA

- Durante el juego, los botones ■ y ◀▶ sólo sirven para el juego. Cancele el juego para usar estos botones en las funciones de reproducción de disco compacto, etc.
- Durante la demostración del juego, algunos indicadores no relacionados con la operación actual se encienden en el visualizador.

AJUSTES DE AUDIO



CONTROL DE VOLUMEN

Gire **VOLUME** de la unidad principal o pulse **VOLUME** del control remoto.

El nivel de sonido se visualiza mediante un número del 0 al 50 (MAX).

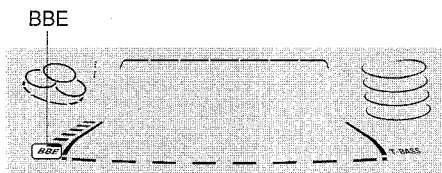
El nivel de sonido se ajusta automáticamente a 20 cuando se desconecta la alimentación estando el nivel ajustado en 21 o más.

SISTEMA BBE

El sistema BBE realza la claridad del sonido de alta frecuencia. También mejora la función karaoke para que su voz suene más clara y agradable.

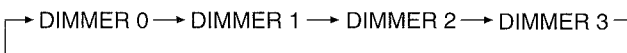
Pulse BBE.

Cada vez que lo pulse, el nivel cambiará. Seleccione uno de los tres niveles o la posición de apagado, lo que usted prefiera.



Para reducir la intensidad de iluminación del visualizador

- 1 Pulse dos veces **DISP** para que se visualice "DIMMER".
- 2 Antes de que pasen 4 segundos, gire **MULTI JOG** para seleccionar el modo del regulador de intensidad de luz de la forma siguiente:



DIMMER 0: La visualización normal.

DIMMER 1: La iluminación del visualizador es menos intensa que la normal.

DIMMER 2: La iluminación del visualizador es menos intensa que la de DIMMER 1.

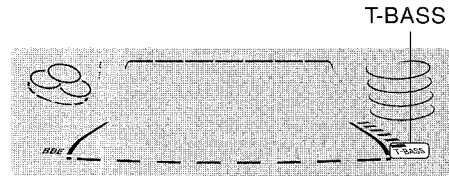
DIMMER 3: La iluminación del visualizador es menos intensa que la de DIMMER 2, y el analizador de espectro y la iluminación de los botones se apagan.

SISTEMA SUPER T-BASS

El sistema T-BASS realza el realismo del sonido de baja frecuencia.

Pulse T-BASS.

Cada vez que lo pulse, el nivel cambiará. Seleccione uno de los tres niveles o la posición de apagado, lo que usted prefiera.



Para seleccionar con el control remoto

Pulse **T-BASS** mientras pulsa **SHIFT**.

NOTA

- El sonido de baja frecuencia tal vez se distorsione cuando se utilice el sistema T-BASS con un disco o una cinta cuyo sonido de baja frecuencia haya sido realzado originalmente. En este caso, cancele el sistema T-BASS.
- Cuando reproduzca una cinta grabada con BBE se recomienda desactivar BBE para evitar el sonido de alta frecuencia distorsionado.

Utilización de auriculares

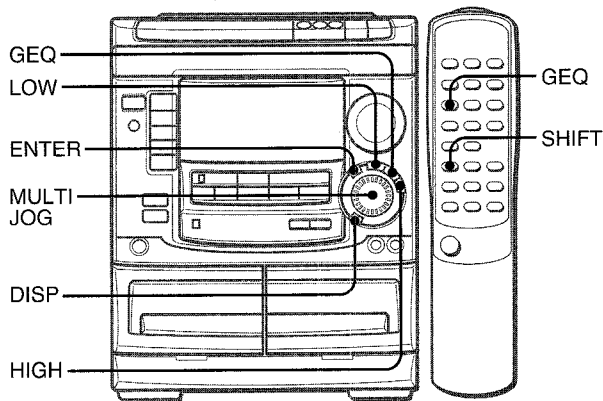
Conecte auriculares con clavija estéreo estándar (6,3 mm ø) a la toma **PHONES**.

Mientras los auriculares estén conectados no saldrá sonido de los altavoces.

Ajuste del sonido durante la grabación

El volumen de salida y el tono (excepto BBE) de los altavoces o auriculares pueden cambiarse libremente sin afectar para nada al nivel de la grabación.

ECUALIZADOR GRAFICO



SELECCION DE LA CURVA DE ECUALIZACION PROGRAMADA

Esta unidad proporciona las 5 curvas de ecualización diferentes siguientes:

ROCK: Sonido potente que realza los agudos y los graves.

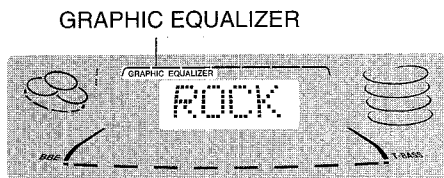
POP: Más presencia en las voces y en el registro medio.

JAZZ: Frecuencias más bajas acentuadas para la música tipo jazz.

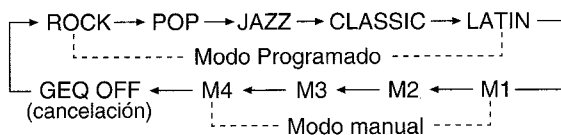
CLASSIC: Enriquece el sonido con graves pesados y agudos finos.

LATIN: Curva de ecualización tipo jazz con frecuencias más altas.

Pulse **GEQ** y gire **MULTI JOG** para seleccionar una de las curvas de ecualización programadas antes de que pasen 4 segundos.



Aparece "GRAPHIC EQUALIZER" (excepto "GEQ OFF" y el modo GEQ se visualiza cíclicamente de la forma siguiente:



Para visualizar el modo GEQ actual

Pulse **GEQ**. El modo actual se visualizará durante 4 segundos.

Para cancelar el modo seleccionado

Pulse **GEQ**, y gire **MULTI JOG** para seleccionar "GEQ OFF" antes de que pasen 4 segundos. "GRAPHIC EQUALIZER" desaparecerá.

Para seleccionar con el mando a distancia

Pulse repetidamente **GEQ** mientras pulsa **SHIFT**. El modo GEQ se visualizará cíclicamente como se indica arriba.

Para cambiar el analizador de espectro

Se pueden mostrar 3 patrones de analizador de espectro. Pulse **DISP** una vez y gire **MULTI JOG** antes de que pasen 4 segundos para seleccionar la visualización de analizador de espectro deseada.

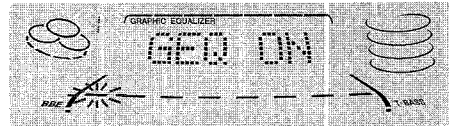
AJUSTE MANUAL DE UNA NUEVA CURVA DE ECUALIZACION

La curva de ecualización puede ser ajustada, según sus preferencias personales.

1 Pulse LOW.

El indicador de frecuencia de nivel más bajo parpadea durante 4 segundos.

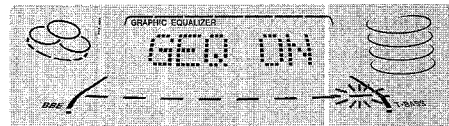
2 Antes de que pasen 4 segundos, gire MULTI JOG para ajustar el nivel de la frecuencia más baja.



3 Pulse HIGH.

El indicador de frecuencia de nivel más alto parpadea durante 4 segundos.

4 Antes de que pasen 4 segundos, gire MULTI JOG para ajustar el nivel de la frecuencia más alta.



Los indicadores de nivel de frecuencia, entre las frecuencias más bajas y más altas, se ajustarán en conformidad.

MEMORIZACION DE CURVAS DE ECUALIZACION NUEVAS

Se puede almacenar un máximo de 4 curvas de ecualización personalizadas, como modos manuales M1 a M4.

1 Ajuste una curva de ecualización nueva con, HIGH, LOW y MULTI JOG.

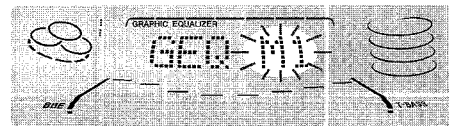
Consulte "AJUSTE MANUAL DE UNA NUEVA CURVA DE ECUALIZACION".

La curva creada se visualizará durante 4 segundos.



2 Antes de que pasen 4 segundos, pulse ENTER.

"M 1" parpadea en el visualizador.



• Si este paso no se completa en menos de 4 segundos, pulse primero **GEQ** para visualizar "GEQ ON". Luego pulse **ENTER** antes de que pasen 4 segundos.

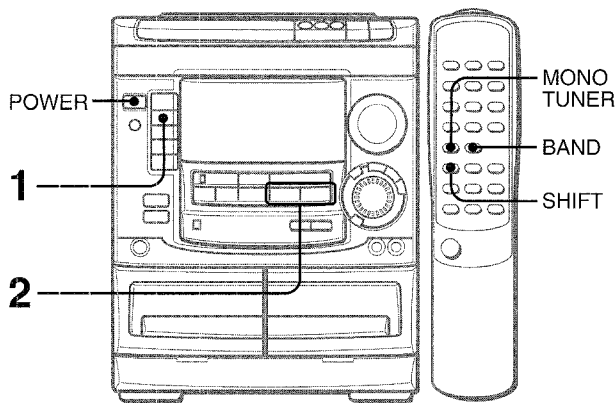
3 Antes de que pasen 4 segundos, gire MULTI JOG para seleccionar uno de los modos manuales M1 - M4 para almacenar la curva.

4 Antes de que pasen 4 segundos, pulse ENTER.

La nueva curva de ecualización se almacena.

Para seleccionar la curva de ecualización almacenada
Pulse **GEQ** y gire **MULTI JOG** para seleccionar uno de los modos manuales M1 - M4 antes de que pasen 4 segundos.

SINTONIZACION MANUAL



1 Pulse repetidamente **TUNER BAND** para seleccionar la banda deseada.

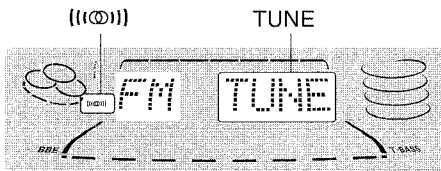


Cuando se pulse **TUNER BAND** mientras la alimentación esté desconectada, la alimentación se conectará directamente.

Para seleccionar una banda con el control remoto
Pulse **BAND** mientras pulsa **SHIFT**.

2 Pulse **◀◀ DOWN** o **▶▶ UP** para seleccionar una emisora.

Cada vez que pulse el botón, la frecuencia cambiará.
Cuando se reciba una emisora, "TUNE" se visualizará durante 2 segundos.
Durante la recepción estéreo por FM se visualizará ((Ⓜ)).



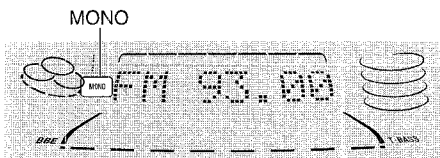
Para buscar rápidamente una emisora (búsqueda automática)

Mantenga pulsado **◀◀ DOWN** o **▶▶ UP** hasta que la frecuencia empiece a cambiar rápidamente. Después de sintonizar una emisora, la búsqueda parará.

Para detener manualmente la búsqueda automática, pulse **◀◀ DOWN** o **▶▶ UP**.

• La búsqueda automática quizá no pare en emisoras cuyas señales sean muy débiles.

Cuando una radiodifusión estéreo por FM tenga ruido
Pulse **MONO TUNER** del control remoto mientras pulsa **SHIFT** para que "MONO" aparezca en el visualizador.



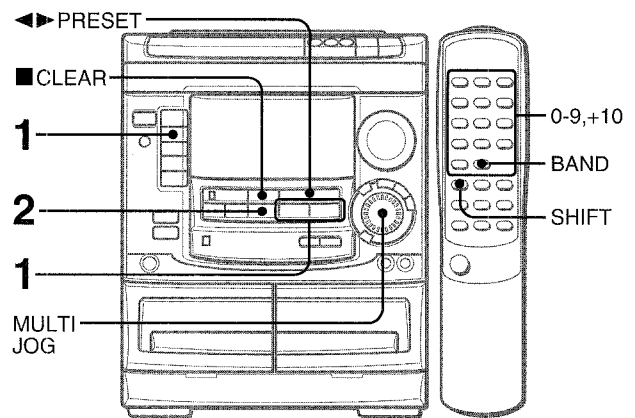
El ruido se reducirá, pero la recepción será mono.
Para reponer la recepción estéreo, pulse estos botones para que aparezca "MONO".

Para cambiar el intervalo de sintonización de AM

El ajuste por omisión del intervalo de sintonización de AM es de 10 kHz/paso. Si utiliza esta unidad en una zona donde el sistema de asignación de frecuencias sea de 9 kHz/paso, cambie el intervalo de sintonización.

Pulse **POWER** mientras pulsa **TUNER BAND**.
Para reponer el intervalo, repita este procedimiento.

PREAJUSTE DE EMISORAS



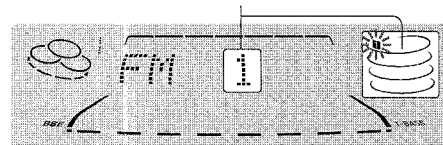
Esta unidad puede almacenar un total de 32 emisoras. Cuando almacene una emisora, a esa emisora se le asignará un número de preajuste. Utilice el número de preajuste para sintonizar directamente una emisora preajustada.

1 Pulse **TUNER BAND** para seleccionar una banda, y pulse **◀◀ DOWN** o **▶▶ UP** para seleccionar una emisora.

2 Pulse **|| SET** para almacenar la emisora.

A las emisoras de cada banda se les asigna un número de preajuste en orden consecutivo empezando por el 1.

Número de preajuste



3 Repita los pasos 1 y 2.

La siguiente emisora no se almacenará si ya se ha almacenado un total de 32 emisoras de preajuste de todas las bandas.

SINTONIZACION MEDIANTE NUMERO DE PREAJUSTE

Utilice el control remoto para seleccionar directamente el número de preajuste.

1 Pulse **BAND** mientras pulsa **SHIFT** para seleccionar una banda.

2 Pulse los botones numerados 0-9 y +10 para seleccionar un número de preajuste.

Ejemplo:

Para seleccionar el número de preajuste 20, pulse +10, +10 y 0.
Para seleccionar el número de preajuste 15, pulse +10 y 5.

Selección de un número de preajuste en la unidad principal

Pulse **TUNER BAND** para seleccionar una banda. Luego, pulse repetidamente **◀◀ PRESET** o gire **MULTI JOG**.

Cada vez que pulse **◀◀ PRESET** se seleccionará el siguiente número más alto.

Para borrar una emisora preajustada

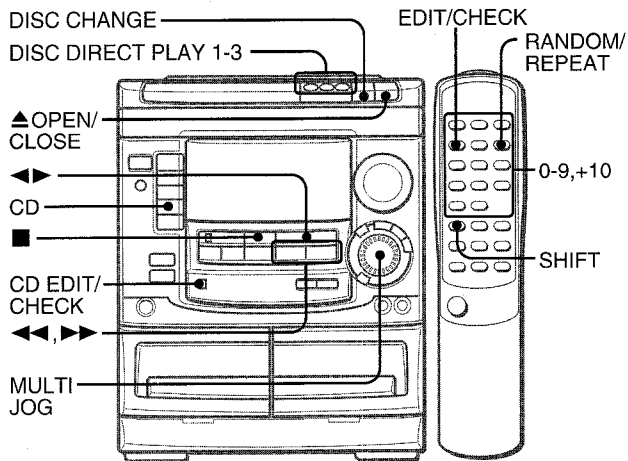
Seleccione el número de preajuste de la emisora que vaya a borrar. Luego, pulse **■ CLEAR**, y pulse **|| SET** antes de que pasen 4 segundos.

Los números de preajuste superiores de todas las demás emisoras de la banda disminuirán también en uno.

NOTA

Cuando se cambie el intervalo de sintonización de AM, todas las emisoras preajustadas se borrarán. Las emisoras preajustadas tendrán que ajustarse de nuevo.

OPERACIONES BASICAS



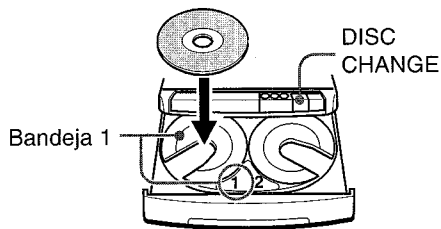
INTRODUCCION DE DISCOS

Pulse **CD**, y luego pulse **▲ OPEN/CLOSE** para abrir el compartimiento de los discos. Introduzca el(los) disco(s) con el lado de la etiqueta hacia arriba.

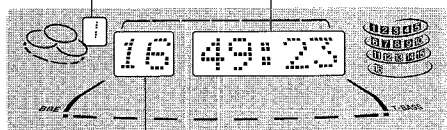
Para reproducir uno o dos discos, ponga los discos en las bandejas 1 y 2.

Para reproducir tres discos, pulse **DISC CHANGE** para hacer girar las bandejas después de colocar dos discos. Ponga luego el tercer disco en la bandeja 3.

Cierre el compartimiento de los discos pulsando **▲ OPEN/CLOSE**.



Número de la bandeja del disco que va a ser reproducido Tiempo de reproducción total



Número total de canciones

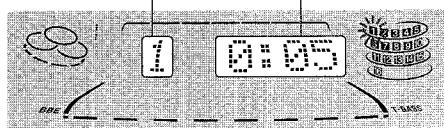
REPRODUCCION DE DISCOS

Introduzca los discos.

Para reproducir todos los discos del compartimiento, pulse **◀▶**.

La reproducción empezará por el disco de la bandeja 1.

Número de la canción que está siendo reproducida Tiempo de reproducción transcurrido



Para reproducir un disco solamente, pulse **DISC DIRECT PLAY 1-3**.

El disco seleccionado se reproducirá una vez.

Para detener la reproducción, pulse **■**.

Para hacer una pausa en la reproducción, pulse **■**. Para reanudar la reproducción, púselo de nuevo.

Para buscar un punto particular durante la reproducción, mantenga pulsado **◀◀** o **▶▶** y suéltelo en el punto deseado.

Para saltar hasta el principio de una canción durante la reproducción, pulse repetidamente **◀◀** o **▶▶** o gire **MULTI JOG**.

Para quitar discos, pulse **▲ OPEN/CLOSE**.

Para iniciar la reproducción cuando la alimentación esté desconectada (función de reproducción directa)

Pulse **CD**. La alimentación se conectará y la reproducción del(de) disco(s) introducido(s) empezará.

La alimentación se conectará también, y el compartimiento de los discos se abrirá, cuando se pulse **▲ OPEN/CLOSE**.

Para comprobar el tiempo restante

Durante la reproducción, pulse **EDIT/CHECK** del control remoto mientras pulsa **SHIFT**. El tiempo restante hasta que todas las canciones terminen de reproducirse se visualizará. Para reponer la visualización del tiempo de reproducción, repita este procedimiento.

* **CD EDIT/CHECK** de la unidad también puede utilizarse en lugar de **EDIT CHECK** del mando a distancia.

Selección de una canción con el control remoto

- 1 Pulse **DISC DIRECT PLAY 1-3** para seleccionar un disco.
- 2 Pulse los botones numerados **0-9** y **+10** para seleccionar una canción.

Ejemplo:

Para seleccionar la canción número 25, pulse **+10, +10 y 5**.

Para seleccionar la canción número 10, pulse **+10 y 0**.

La canción seleccionada empezará a reproducirse y la reproducción continuará hasta que termine ese disco.

Reemplazo de discos durante la reproducción

Mientras se reproduzca un disco, los otros discos podrán reemplazarse sin interrumpir la reproducción.

- 1 Pulse **DISC CHANGE**.
- 2 Quite los discos y ponga otros.
- 3 Pulse **▲ OPEN/CLOSE** para cerrar el compartimiento de los discos.

NOTA

- Cuando introduzca un disco de 8 cm, póngalo en el círculo interior de la bandeja.
- No ponga más de un disco compacto en una misma bandeja.
- No incline la unidad habiendo discos introducidos. Hacer esto podría causar averías.

REPRODUCCION ALEATORIA/REPETICION DE REPRODUCCION

Utilice el control remoto.

Reproducción aleatoria

Todas las canciones del disco seleccionado o de todos los discos podrán reproducirse aleatoriamente.


Repetición de reproducción


Un solo disco o todos ellos podrán reproducirse repetidamente.

Pulse RANDOM/REPEAT mientras pulsa SHIFT.

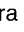
Cada vez que lo pulse, la función podrá ser seleccionada cíclicamente.

Reproducción aleatoria — RANDOM se enciende en el visualizador.

Repetición de reproducción —  se enciende en el visualizador.


Reproducción aleatoria/repetición de reproducción — RANDOM y  se encienden en el visualizador.

Cancelación — RANDOM y  desaparecen del visualizador.

Para reproducir todos los discos pulse  para iniciar la reproducción.

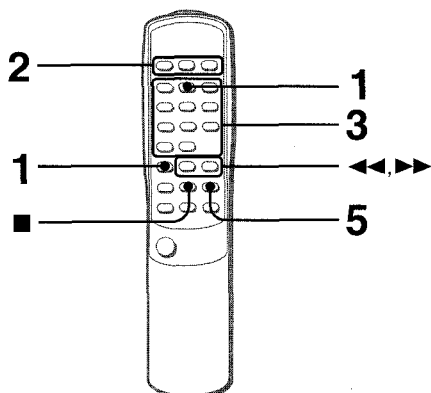
Para reproducir un solo disco pulse DISC DIRECT PLAY 1-3 para iniciar la reproducción.

NOTA

Durante la reproducción aleatoria no será posible saltar a la canción previamente reproducida con .

REPRODUCCION PROGRAMADA

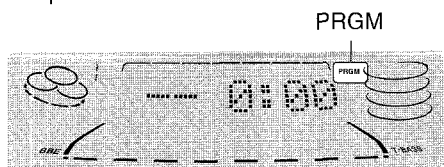
Se podrá programar un máximo de 30 canciones de cualquiera de los discos introducidos.



Utilice el control remoto.

1 Pulse dos veces PRGM mientras pulsa SHIFT estando en el modo de parada.

“PRGM” aparece.



- Cuando **PRGM** se pulse una vez en el paso 1, la unidad se pondrá en el modo PROGRAMA DE KARAOKE (página 17).

2 Pulse DISC DIRECT PLAY 1-3 para seleccionar un disco.

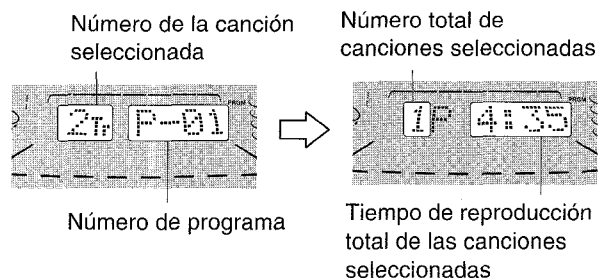
Vaya al paso siguiente cuando la bandeja deje de girar.

3 Pulse los botones numerados 0-9 y +10 para programar una canción.

Ejemplo:

Para seleccionar la canción número 25, pulse +10, +10 y 5.

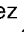
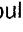
Para seleccionar la canción número 10, pulse +10 y 0.




4 Repita los pasos 2 y 3 para programar otras canciones.

5 Pulse para iniciar la reproducción.

Para comprobar el programa

Cada vez que se pulse  o  en el modo de parada se visualizará un número de disco, un número de canción y un número de programa.

Para borrar el programa

Pulse  CLEAR en el modo de parada.


Para añadir canciones al programa

Repita los pasos 2 y 3 en el modo de parada. La canción se programará después de la última canción programada.

Para cambiar las canciones programadas

Borre el programa y repita todos los pasos de programación.

Para reproducir repetidamente las canciones programadas

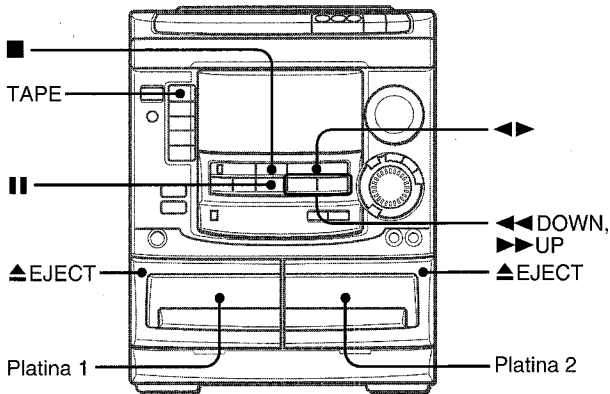
Después de programar las canciones, pulse repetidamente RANDOM/REPEAT hasta que  aparezca en el visualizador.

NOTA

Durante la reproducción programada, usted no podrá realizar la reproducción aleatoria, comprobar el tiempo restante ni seleccionar un disco o canción.

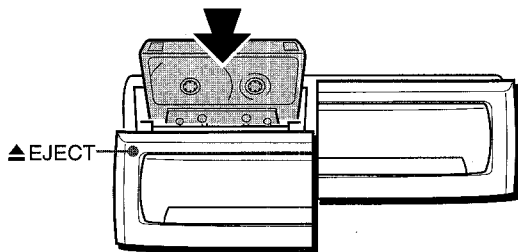
E

OPERACIONES BASICAS



Utilice solamente cintas tipo I (normales).

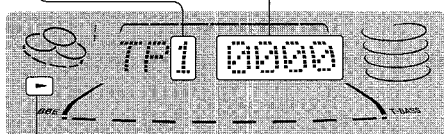
1 Pulse TAPE y ▲ EJECT para abrir el portacasete.



Inserte una cinta con el lado expuesto hacia abajo. Empuje el portacasete para cerrarlo.

2 Pulse ◀▶ para iniciar la reproducción.

Número de la platina seleccionada El contador de cinta indica el movimiento de la cinta.



Indicador de la cara de reproducción

- ▶: La cara que queda hacia adelante (cara delantera) está siendo reproducida.
- ◀: La cara que queda hacia atrás (cara trasera) está siendo reproducida.

Para seleccionar una platina de reproducción

Cuando haya cintas introducidas en ambas platinas, pulse primero TAPE para seleccionar una platina. El número de la platina seleccionada se visualizará.

Para detener la reproducción, pulse ■.

Para hacer una pausa en la reproducción (platina 2 solamente), pulse II. Para reanudar la reproducción, púlselo otra vez.

Para cambiar la cara de reproducción (platina 1 solamente), pulse ◀▶ en el modo de reproducción o en el de pausa.

Para avanzar rápidamente o rebobinar, pulse ◀◀ o ▶▶. Luego pulse ■ para detener la cinta.

Para iniciar la reproducción cuando la alimentación esté desconectada (función de reproducción directa)

Pulse TAPE. La alimentación se conectará y la reproducción de la cinta insertada empezará.

Para poner el contador de cinta a 0000

Pulse ■ CLEAR en el modo de parada.

El contador también se pone a 0000 cuando se abre el portacasete.

Cuando haya cintas introducidas en ambas platinas

Después de reproducirse ambas caras (la delantera y la trasera) de la cinta de la platina 1, la cinta de la platina 2 empezará a reproducirse sin interrupción y se detendrá al final de la cara delantera. (Reproducción continua)

SENSOR MUSICAL (platina 1 solamente)

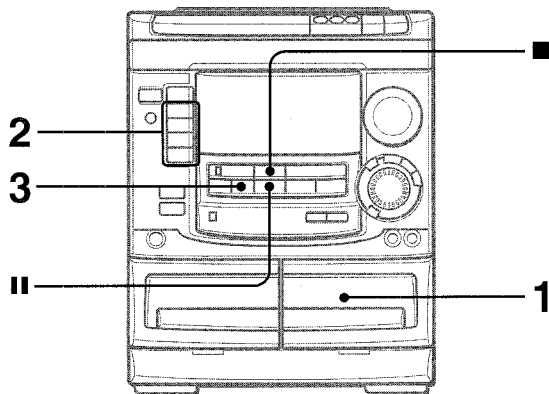
Si hay un espacio sin grabar de 4 segundos o más entre cada canción, la búsqueda del principio de la canción que esté siendo reproducida o de la siguiente canción podrá realizarse fácilmente. Pulse ◀◀ o ▶▶ durante la reproducción observando el indicador de la cara de reproducción (◀ o ▶) del visualizador. Por ejemplo, cuando pulse ▶▶ mientras se visualice ▶, la reproducción de la siguiente canción empezará tras la búsqueda.

La función del sensor musical tal vez no pueda detectar las canciones bajo las condiciones siguientes:

- Espacios sin grabar de menos de 4 segundos entre las canciones.
- Espacios sin grabar que tengan ruido.
- Pasajes largos con un sonido muy bajo.
- Niveles de grabación bajos en general.

GRABACION BASICA

Esta sección explica cómo grabar del sintonizador, del reproductor de discos compactos o de equipos exteriores.

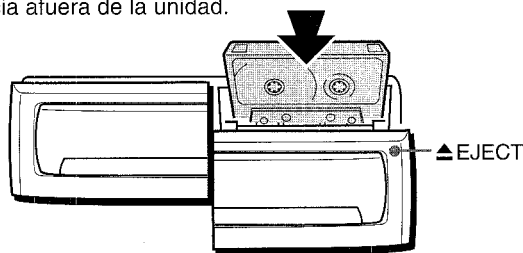


Preparación

- Utilice solamente cintas tipo I (normales).
- Bobine la cinta hasta el punto donde vaya a empezar la grabación.
- Tenga en cuenta que la grabación sólo se realiza en una cara de la cinta.

1 Inserte la cinta que vaya a grabar en la platina 2.

Inserte la cinta con la cara que vaya a grabar en primer lugar hacia afuera de la unidad.



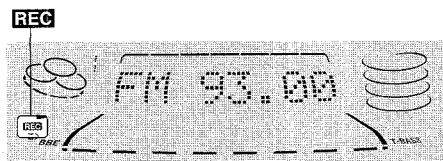
2 Pulse uno de los botones de función (CD, TUNER, VIDEO/AUX o MD) y prepare la fuente de sonido de la que vaya a grabar.

Para grabar de un disco compacto, pulse CD e introduzca el(los) disco(s).

Para grabar una radiodifusión, pulse TUNER y sintonice la emisora.

Para grabar de una fuente de sonido conectada, pulse VIDEO/AUX o MD.

3 Pulse ● REC/REC MUTE para iniciar la grabación.



Cuando la función seleccionada sea CD, la reproducción y la grabación empezarán simultáneamente.

Cuando grabe de una fuente conectada, inicie la reproducción de la fuente.

Para detener la grabación, pulse ■.

Para hacer una pausa en la grabación, pulse II. (Puede aplicarse cuando la fuente de sonido sea TUNER, VIDEO/AUX o MD.) Para reanudar la grabación, púlselo de nuevo.

Ajuste del sonido durante la grabación

El volumen de salida y el tono (excepto BBE) de los altavoces o auriculares puede cambiarse libremente sin afectar para nada al nivel de la grabación.

INSERCIÓN DE ESPACIOS SIN GRABAR

La inserción de espacios sin grabar de 4 segundos permite la activación de la función del sensor musical. (Puede aplicarse cuando la fuente de sonido sea TUNER, VIDEO/AUX o MD.)

1 Pulse ● REC/REC MUTE durante la grabación o en el modo de pausa de grabación.

REC parpadeará en el visualizador durante 4 segundos y se creará un espacio en blanco de 4 segundos. Luego, la platina entra en el modo de pausa de grabación.

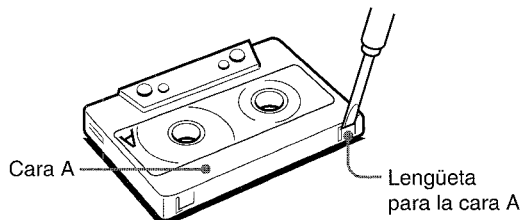
2 Pulse II para reanudar la grabación.

Para insertar un espacio sin grabar de menos de 4 segundos, pulse de nuevo ● REC/REC MUTE mientras esté parpadearando **REC**.

Para insertar espacios sin grabar de más de 4 segundos, después de que la platina entre en el modo de pausa de grabación, pulse de nuevo ● REC/REC MUTE. Cada vez que pulse el botón se añadirá un espacio sin grabar de 4 segundos.

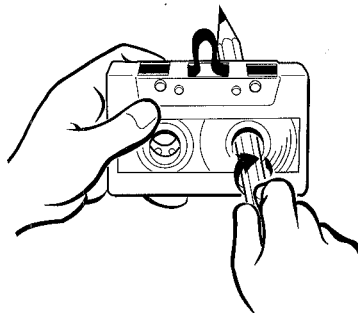
Acerca de las cintas de cassette

- **Para evitar el borrado accidental**, rompa con un destornillador u otra herramienta puntiaguda las lengüetas de plástico del casete después de grabar.



Para volver a grabar en una cinta, tape las aberturas con cinta adhesiva, etc.

- **Las cintas de 120 minutos o más** son extremadamente finas y se deforman o estropean fácilmente. No son recomendadas.
- **Tense la cinta** con un lapicero o herramienta similar antes de utilizarla. La cinta floja podrá romperse o atascarse en el mecanismo.

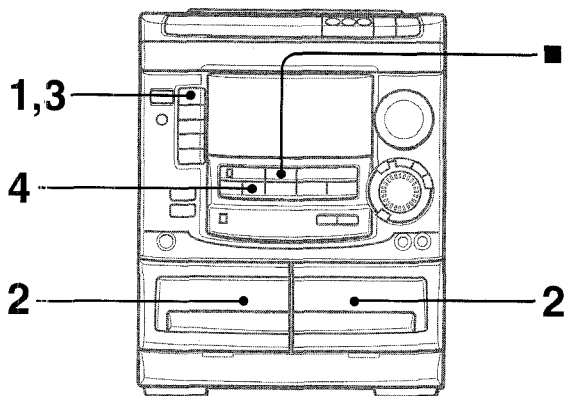


Para borrar una grabación

Asegúrese de que el micrófono no esté conectado a esta unidad.

- 1 Inserte la cinta que vaya a borrar en la platina 2 y pulse TAPE DECK 1/2 para visualizar "TP 2".
- 2 Ponga la cinta en el punto donde vaya a empezar a borrar.
- 3 Pulse ● REC/REC MUTE para iniciar el borrado.

COPIADO MANUAL DE UNA CINTA



NOTA

- Ponga la cinta en el punto donde vaya a empezar la grabación.
- Tenga en cuenta que la grabación se realizará en una cara de la cinta solamente.

1 Pulse TAPE.

2 Inserte la cinta original en la platina 1 y la cinta que vaya a grabar en la platina 2.

Inserte las cintas con las caras que vaya a reproducir o grabar hacia afuera de la unidad.

3 Pulse TAPE DECK 1/2 para seleccionar la platina 1.

Se visualiza "TP 1".

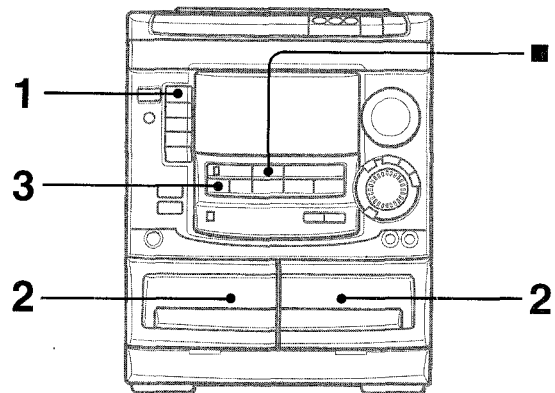
4 Pulse ● REC/REC MUTE para iniciar la grabación.

La reproducción y la grabación empezarán simultáneamente.

Para detener el copiado

Pulse ■.

COPIADO DE TODA LA CINTA



Esta función le permitirá hacer copias exactas de la cinta original.

NOTA

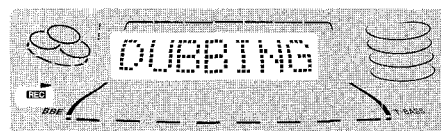
- La copia no empieza desde un punto ubicado en medio de la cinta.
- Tenga en cuenta que la grabación se realizará en una cara de la cinta solamente.

1 Pulse TAPE.

2 Inserte la cinta original en la platina 1 y la cinta que vaya a grabar en la platina 2.

Inserte cada cinta con la cara que vaya a ser reproducida o grabada hacia afuera de la unidad.

3 Pulse SYNCHRO DUBBING para iniciar la grabación.

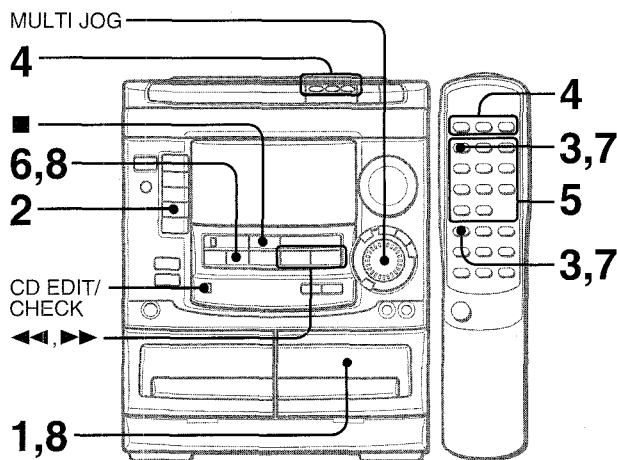


Las cintas se rebobinarán hasta el principio de las caras delanteras y empezará la grabación.

Para detener el copiado

Pulse ■.

GRABACION CON EDICION AI



La función de grabación con edición AI permite grabar discos compactos sin preocuparse de la duración de la cinta y de las canciones. Cuando se inserte un disco compacto, la unidad calculará automáticamente la duración total de las canciones. En caso de ser necesario, el orden de las canciones se cambiará para que ninguna canción quede cortada. (AI: Inteligencia Artificial)

NOTA

La grabación con edición AI no empezará desde un punto que se encuentre en medio de la cinta. La cinta deberá grabarse desde el principio de cada cara.

1 Inserte la cinta en la platina 2.

Inserte la cinta con la cara que vaya a grabar en primer lugar hacia afuera de la unidad.

2 Pulse CD e introduzca el(los) disco(s).

3 Pulse una vez EDIT/CHECK mientras pulsa SHIFT del control remoto.

"EDIT" aparece.



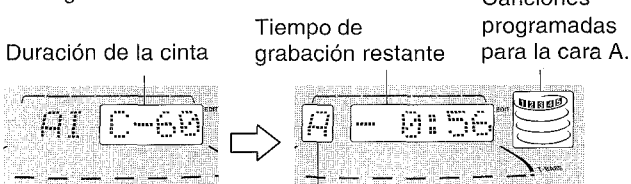
• Cuando se visualice "PRGM", pulse **EDIT/CHECK** mientras pulsa de nuevo **SHIFT**.

4 Pulse DISC DIRECT PLAY 1-3 para seleccionar un disco.

5 Pulse los botones numerados 0-9 del control remoto para designar la duración de la cinta.

Se puede especificar una duración de 10 a 99 minutos. Ejemplo: Cuando utilice una cinta de 60 minutos, pulse **6** y **0**. En unos pocos segundos, las canciones que vayan a ser grabadas en cada cara de la cinta serán determinadas.

• **◀◀**, **▶▶** o **MULTI JOG** también se pueden utilizar para designar la duración de la cinta.



Cara de la cinta
A: Primera cara de grabación
B: Segunda cara de grabación

6 Pulse ● REC/REC MUTE para iniciar la grabación de la primera cara.

La cinta se rebobinará hasta el principio de la primera cara, el segmento guía avanzará durante 10 segundos y la grabación empezará. Cuando termine de grabarse la última canción programada para la cara A, la platina 2 se pondrá en el modo de parada de grabación. Después de entrar en el modo de parada de grabación, vaya al paso 7.

7 Pulse EDIT/CHECK mientras pulsa SHIFT del control remoto para visualizar el programa para la segunda grabación.

Se visualiza "B".

8 Dé la vuelta a la cinta de la platina 2 y pulse ● REC/REC MUTE para iniciar la grabación de la segunda cara.

Para detener la grabación

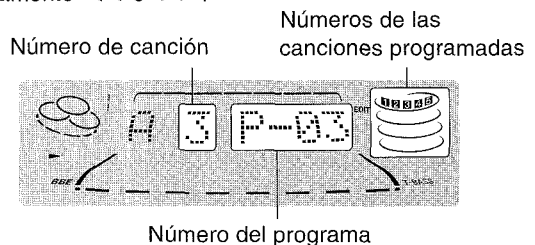
Pulse **■**. La grabación y la reproducción del disco compacto pararán simultáneamente.

Para borrar el programa de edición

Pulse **■ CLEAR** dos veces para que "EDIT" desaparezca del visualizador.

Para comprobar el orden de los números de las canciones programadas

Antes de grabar, pulse **EDIT/CHECK** mientras pulsa **SHIFT** del control remoto para seleccionar la cara A o la B, y pulse repetidamente **◀◀** o **▶▶**.



Para añadir canciones de otros discos a un programa de edición

Si queda tiempo en la cinta después del paso 5, usted podrá añadir canciones de otros discos que se encuentren en el compartimiento de los discos compactos.

1 Pulse **EDIT/CHECK** mientras pulsa **SHIFT** del control remoto para seleccionar la cara A o la B.

2 Pulse **DISC DIRECT PLAY 1-3** para seleccionar un disco.

3 Pulse los botones numerados del control remoto para seleccionar canciones.

Una canción cuyo tiempo de reproducción sea superior al tiempo restante no podrá ser programada.

4 Repita los pasos 2 y 3 para añadir más canciones.

Tiempo de las cintas de casete y tiempo de edición

El tiempo real de grabación de los casetes es por lo general un poco más largo que el tiempo de grabación especificado en sus etiquetas. Esta unidad puede programar canciones para utilizar ese tiempo extra. Cuando el tiempo total de grabación sea un poco más largo que el tiempo de grabación especificado en el casete, después de la edición, el visualizador mostrará el tiempo extra (sin un signo menos) en lugar del tiempo restante de la cinta (con el signo menos).

NOTA

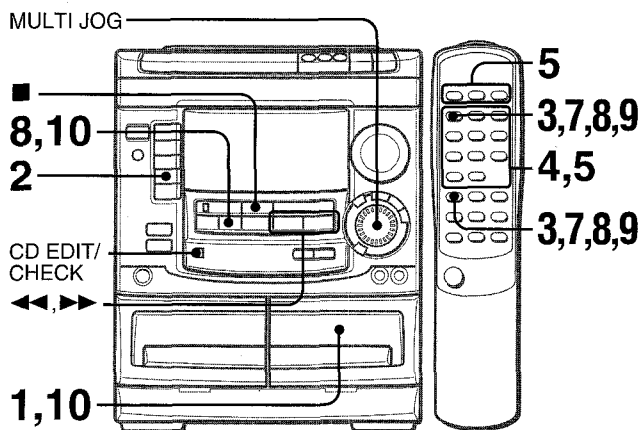
La función de grabación con edición AI no se podrá utilizar con discos que tengan 31 canciones o más.

* **CD EDIT/CHECK** de la unidad también puede utilizarse en lugar de **EDIT CHECK** del mando a distancia.

GRABACION

E

GRABACION CON EDICION PROGRAMADA



En la función de grabación con edición programada, las canciones pueden programarse mientras se comprueba el tiempo restante de cada cara de la cinta.

NOTA

La grabación con edición programada no empezará desde un punto ubicado en medio de la cinta. La cinta deberá grabarse desde el principio de una de las caras.

1 Inserte la cinta en la platina 2.

Inserte la cinta con la cara que vaya a grabar en primer lugar hacia afuera de la unidad.

2 Pulse CD e introduzca el(los) disco(s).

3 Pulse dos veces EDIT/CHECK mientras pulsa SHIFT del control remoto.

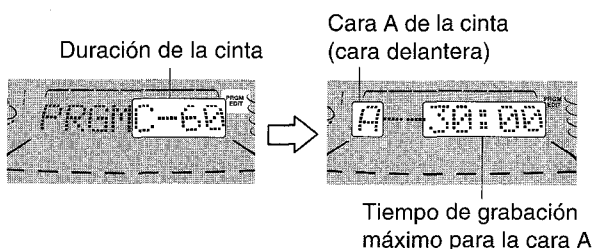
"EDIT" y "PRGM" aparecen.

- Cuando se visualice "AI", pulse **EDIT/CHECK** mientras pulsa de nuevo **SHIFT**.

4 Pulse los botones numerados del control remoto para designar la duración de la cinta.

Se puede especificar una duración de 10 a 99 minutos.

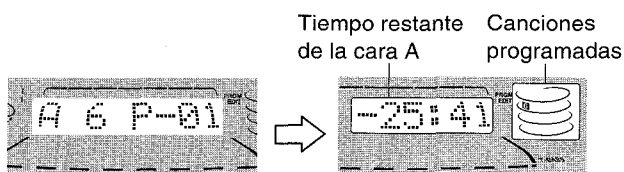
- **◀▶** o **MULTI JOG** también se encuentran disponibles para designar la duración de la cinta.



5 Pulse DISC DIRECT PLAY 1-3 para seleccionar un disco.

Luego, pulse los botones numerados 0-9 y +10 del control remoto para programar una canción.

Ejemplo: Para seleccionar la canción número 10 del disco 2, pulse **DISC DIRECT PLAY 2**, y luego pulse **+10** y **0**.



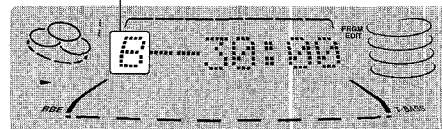
6 Repita el paso 5 para el resto de las canciones para la cara A.

Una canción cuyo tiempo de reproducción sea superior al tiempo restante no podrá ser programada.

7 Pulse EDIT/CHECK mientras pulsa SHIFT del control remoto para seleccionar la cara B y programe las canciones para la cara B.

Después de confirmar que "B" aparezca en el visualizador, repita el paso 5.

Cara B de la cinta (cara trasera)



8 Pulse EDIT/CHECK mientras pulsa SHIFT para seleccionar la cara A y pulse ● REC/REC MUTE para iniciar la grabación.

La reproducción del disco compacto y la grabación de las canciones editadas para la primera cara empiezan simultáneamente. Cuando termine de grabarse la última canción programada para la cara A, la platina 2 entrará en el modo de parada de grabación. Después de entrar en el modo de parada de grabación, vaya al paso 9.

9 Pulse EDIT/CHECK mientras pulsa SHIFT del control remoto para grabar la segunda cara.

Se visualiza "B".

10 Dé la vuelta a la cinta de la platina 2 y pulse ● REC/REC MUTE para iniciar la grabación.

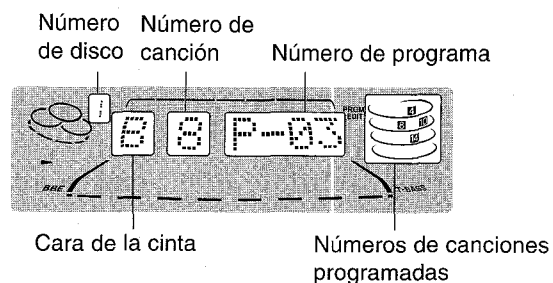
Empieza la grabación.

Para detener la grabación

Pulse **■**. La grabación y la reproducción del disco compacto pararán simultáneamente.

Para comprobar el orden de los números de las canciones programadas

Antes de grabar, pulse **EDIT/CHECK** mientras pulsa **SHIFT** del control remoto para seleccionar la cara A o la B, y pulse repetidamente **◀▶**.



Para cambiar el programa de cada cara

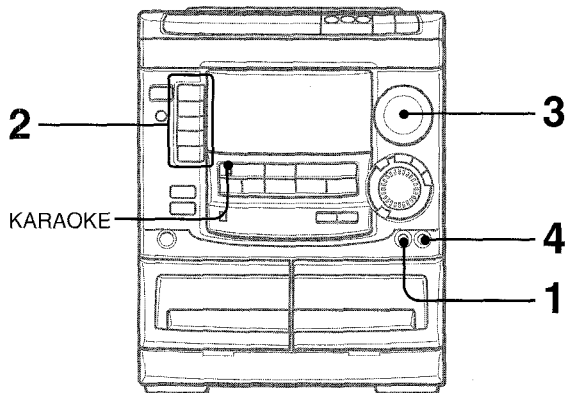
Pulse **EDIT/CHECK** mientras pulsa **SHIFT** del control remoto para seleccionar la cara A o B, y pulse **■ CLEAR** para borrar el programa de la cara seleccionada. Luego vuelva a programar canciones.

Para borrar el programa de edición

Pulse **■ CLEAR** dos veces para que "EDIT" desaparezca del visualizador.

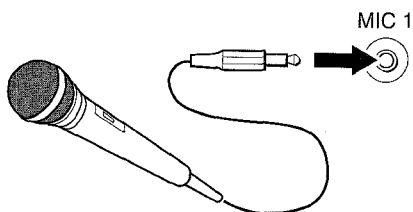
* **CD EDIT/CHECK** de la unidad también puede utilizarse en lugar de **EDIT CHECK** del mando a distancia.

MEZCLA MICROFONICA



A esta unidad se podrá conectar un micrófono (no suministrado), para que usted pueda cantar acompañado por la reproducción de fuente musicales. Utilice un micrófono con miniclavija (3,5 mm ø).

1 Conecte su micrófono a la toma MIC.



2 Pulse uno de los botones de función para seleccionar la fuente de sonido que vaya a ser mezclada y luego reproduzca.

3 Ajuste el volumen y el tono de la fuente de sonido.

4 Gire el control MIC VOLUME para ajustar el volumen del micrófono.

Para grabar el sonido de micrófono mezclado con el sonido de la fuente

Siga el procedimiento de grabación de la fuente de sonido (consulte la página 12).

SYNCHRO DUBBING no se podrá utilizar para grabar la mezcla.

Cuando no utilice el micrófono

Ponga el volumen del micrófono en **MIN** y desconecte el micrófono de la toma **MIC**.

NOTA

- Si el micrófono se pone demasiado cerca de los altavoces quizá se produzca un ruido de aullido. En este caso, separe el micrófono de los altavoces o disminuya el volumen del micrófono.
- Si el sonido del micrófono se pone a un nivel demasiado alto quizá se distorsione. En este caso, disminuya el volumen del micrófono.

Micrófono recomendado

Se recomienda utilizar un micrófono tipo unidireccional para evitar el aullido. Póngase en contacto con su concesionario Aiwa para que le dé los detalles.

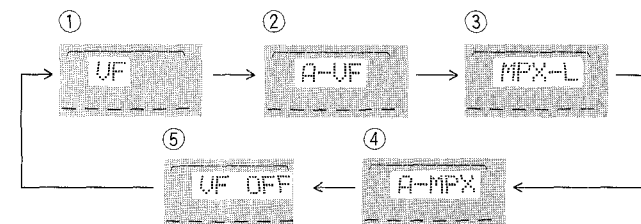
FUNCIONES DE DESVANECIMIENTO DE VOZ/MULTIPLEX

Esta unidad puede utilizar discos o cintas como fuentes de Karaoke. Utilice la función de desvanecimiento de voz para discos o cintas normales.

Utilice la función de múltiplex para discos o cintas de audio múltiplex.

Pulse repetidamente KARAOKE para seleccionar la función de desvanecimiento de voz o de múltiplex.

Cada vez que se pulse **KARAOKE**, una de las funciones siguientes se seleccionará en orden.



1 Desvanecimiento de voz

La voz del cantante se hace más suave que la del acompañamiento.

2 Desvanecimiento de voz automático

La voz del cantante se hace más suave sólo mientras hay una entrada de audio por un micrófono.

3 Múltiplex

Se oye el sonido del canal izquierdo por ambos altavoces y el sonido del canal derecho se silencia.

Para escuchar el sonido del canal derecho, consulte más abajo.

4 Múltiplex automático

El sonido del canal izquierdo se oye por ambos altavoces, y el sonido del canal derecho se silencia sólo mientras hay una entrada de audio por un micrófono.

Para escuchar el sonido del canal derecho, consulte más abajo.

5 Cancelación

Para cambiar el ajuste del retardo de tiempo en las funciones de desvanecimiento de voz automático y de múltiplex automático

La voz del cantante silenciada originalmente recuperará más rápidamente su nivel normal.

Cuando se seleccione el desvanecimiento de voz automático o múltiplex automático, "A-VF" o "A-MPX" se visualizará durante 3 segundos y cambiará al nombre de la función seleccionada. Después de visualizarse el nombre de la función seleccionada, mantenga pulsado **KARAOKE** hasta que se visualice "FAST".

Para volver al ajuste inicial, seleccione **SLOW**.

Cuando se desconecte la alimentación se repondrá **SLOW**.

Para cambiar el canal audible en la función de múltiplex

Cuando se seleccione múltiplex, "MPX-L" se visualizará durante 3 segundos y cambiará al nombre de la función seleccionada. Después de visualizarse el nombre de la función seleccionada, mantenga pulsado **KARAOKE** hasta que se visualice "MPX-R".

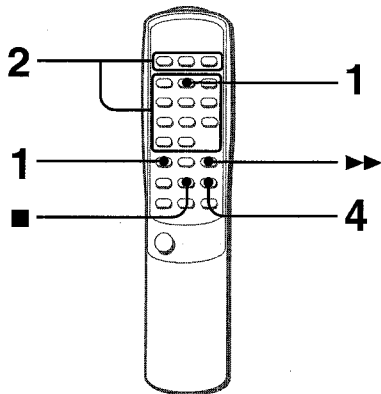
Para volver al ajuste inicial, seleccione **MPX-L**.

Cuando se desconecte la alimentación se repondrá **MPX-L**.

NOTA

- Las funciones Karaoke tal vez no funcionen correctamente con las clases de discos compactos o cintas siguientes:
 - Discos o cintas con sonido mono
 - Discos o cintas grabados con ecos fuertes
 - Discos o cintas con la parte vocal grabada en el lado derecho o izquierdo del sonido
- Mientras la función Karaoke esté activada, la salida de sonido será mono.
- Cuando se cambie la función, la función de karaoke se cancelará.

PROGRAMA DE KARAOKE



Antes o durante la reproducción de discos compactos, usted podrá reservar un máximo de 15 canciones para reproducirlas después de la canción que esté siendo reproducida. Cada reserva se borrará cuando termine de reproducirse la canción.

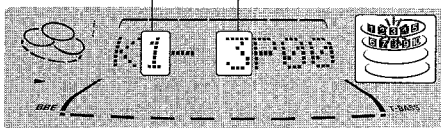
Utilice el control remoto.

1 Pulse PRGM una vez mientras pulsa SHIFT.



2 Pulse uno de los botones des DISC DIRECT PLAY 1-3 para seleccionar un disco. Luego, pulse los botones numerados y +10 para programar una canción.

Número de disco reservado Número de canción reservada

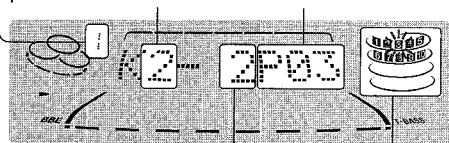


3 Repita el paso 2 para reservar otras canciones.

4 Pulse ◀▶ para iniciar la reproducción.

Después de reproducir una canción, ésta se borrará del programa.

Disco que está siendo reproducido Número del disco de la última reserva Numero de canciones reservadas restantes



Número de canción de la última reserva El número de la canción que está reproduciéndose parpadea

Para añadir una reserva durante la reproducción

Repita el paso 2.

Para comprobar las canciones reservadas

Pulse repetidamente **CD EDIT/CHECK** de la unidad principal o **EDIT CHECK** mientras pulsa **SHIFT** del control remoto. Cada vez que lo pulse, el número del disco y el número de la canción se visualizarán en el orden en que fueron reservados.

Para detener la reproducción

Pulse ■.

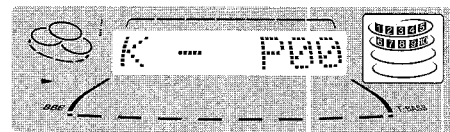
Cuando pulse ◀▶, la reproducción empezará de nuevo desde la última canción.

Para saltar una canción

Pulse ▶▶. La canción saltada se borrará del programa.

Para borrar todas las reservas

Pulse repetidamente ▶▶ hasta que se visualice "K-P00".

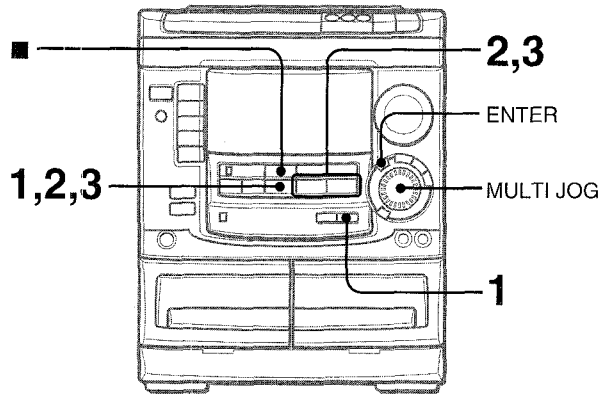


Púlselo una vez más para cancelar el programa de karaoke. La visualización volverá a ser la de la reproducción de discos compactos.

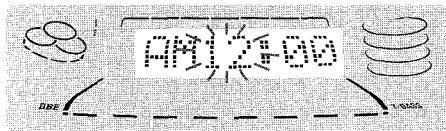
NOTA

- Si el número de la canción reservada no existe en el disco seleccionado, la unidad parará la reproducción y la visualización parpadeará. En este caso, pulse ▶▶ para omitir esa canción. Y luego pulse ◀▶ para iniciar la reproducción con la siguiente canción reservada.
- Cuando se pulse repetidamente **PRGM** en el paso 1, "PRGM" se visualizará y la unidad se pondrá en el modo de reproducción programada de disco compacto (página 10). Para cancelar la reproducción programada, pulse ■ **CLEAR**.

PUESTA EN HORA DEL RELOJ



1 Pulse **CLOCK** y luego pulse **|| SET** antes de que pasen 4 segundos.



Cuando se utilice el control remoto

Pulse **CLOCK** mientras pulsa **SHIFT**, y luego pulse **|| SET** antes de que pasen 4 segundos.

2 Pulse **◀◀ DOWN** o **▶▶ UP** para designar la hora, y luego pulse **|| SET**.

La hora deja de parpadear y empieza a parpadear el minuto.

3 Pulse **◀◀ DOWN** o **▶▶ UP** para designar el minuto, y luego pulse **|| SET**.

El minuto deja de parpadear en el visualizador y el reloj empieza desde 00 segundos.

Para visualizar la hora actual

Pulse **CLOCK**. La hora se visualizará durante 4 segundos. Sin embargo, la hora no se podrá visualizar durante la grabación.

Para cambiar al modo de 24 horas

Pulse **CLOCK** y luego pulse **■** antes de que pasen 4 segundos. Repita el mismo procedimiento para reponer el modo de 12 horas.

Si parpadea la visualización del reloj

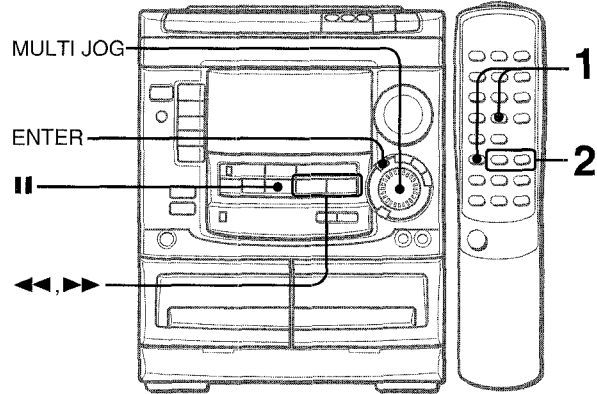
Esto se deberá a una interrupción en el suministro de alimentación. La hora tendrá que ponerse de nuevo.

Si la alimentación se interrumpe durante más de 24 horas aproximadamente, todos los ajustes almacenados en la memoria después de adquirir la unidad tendrán que ajustarse otra vez.

* En lugar de **||SET** también se encuentra disponible **ENTER**.

* También se puede utilizar **MULTI JOG** en lugar de **◀◀** y **▶▶**.

AJUSTE DEL TEMPORIZADOR PARA DORMIR



La unidad se podrá apagar automáticamente después de transcurrido un tiempo especificado.

Utilice el control remoto.

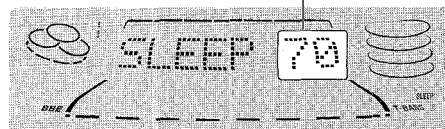
1 Pulse **SLEEP** mientras pulsa **SHIFT**.



2 Antes de que pasen 4 segundos, pulse **◀◀** o **▶▶** para especificar el tiempo tras el cual se desconectará la alimentación.

Cada vez que pulse el botón, el tiempo cambiará entre 5 y 240 minutos en pasos de 5 minutos.

Tiempo especificado



Para comprobar el tiempo restante hasta que se desconecte la alimentación

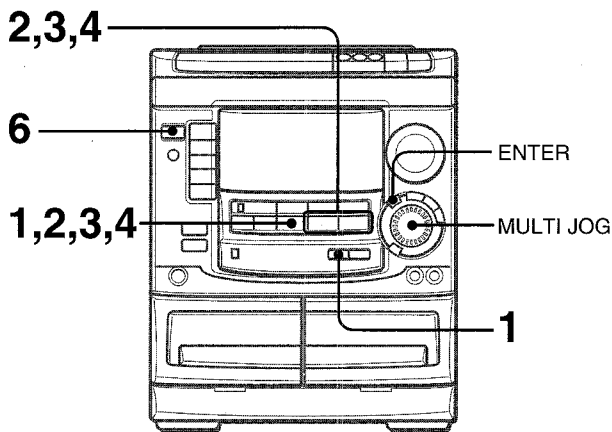
Pulse una vez **SLEEP** mientras pulsa **SHIFT**. El tiempo restante se visualizará durante 4 segundos.

Para cancelar el temporizador para dormir

Pulse dos veces **SLEEP** mientras pulsa **SHIFT** para que aparezca "SLEEP OFF" en el visualizador.

* También se puede utilizar **MULTI JOG** en lugar de **◀◀** y **▶▶**.

AJUSTE DEL TEMPORIZADOR



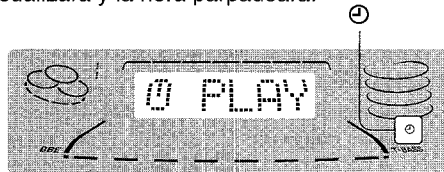
La unidad podrá encenderse a la hora especificada todos los días gracias al temporizador incorporado.

Preparación

Asegúrese de que la hora del reloj sea correcta.

- 1 Pulse repetidamente **TIMER** para visualizar \odot , y luego pulse **|| SET** antes de que pasen **6 segundos**.

\odot se visualizará y la hora parpadeará.



NOTA

Si pulsa **|| SET** después de 6 segundos tal vez empiece otra operación.

- 2 Designe la hora de encendido del temporizador pulsando **◀◀ DOWN** o **▶▶ UP**, y luego pulse **|| SET**.

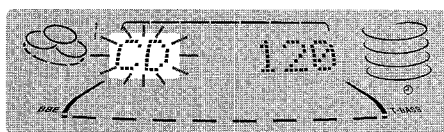
Repita el mismo procedimiento para designar el minuto de encendido del temporizador.



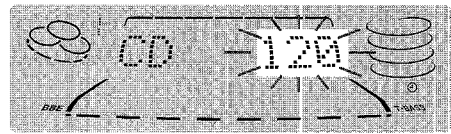
Después de designar la hora de encendido del temporizador, uno de los nombres de las fuentes de sonido parpadeará en el visualizador.

- 3 Pulse **◀◀ DOWN** o **▶▶ UP** para seleccionar una fuente, y luego pulse **|| SET**.

• Si se selecciona **TUNER (AM o FM)**, la banda no se podrá seleccionar en este paso.



- 4 Seleccione la duración del periodo de reproducción activado por temporizador con **◀◀ DOWN** o **▶▶ UP**. Luego, pulse **|| SET**.



La duración del periodo de reproducción activado por temporizador podrá ajustarse entre 5 y 240 minutos en pasos de 5 minutos.

- 5 Prepare la fuente de sonido.

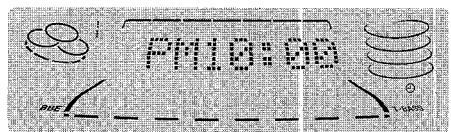
Para escuchar un disco compacto, introduzca el disco que vaya a reproducir en primer lugar en la bandeja 1.

Para escuchar una cinta, introduzca la cinta en la platina 1 o en la 2.

Para escuchar la radio, sintonice una emisora.

- 6 Pulse **POWER** para apagar la unidad después de haber ajustado el volumen y el tono.

\odot permanecerá en el visualizador después de que se desconecte la alimentación (modo de espera del temporizador).



Cuando llegue la hora de encendido del temporizador, la unidad se encenderá y la reproducción empezará con la fuente de sonido seleccionada.

El volumen del sonido se ajusta automáticamente a 20 cuando se desconecta la alimentación estando el nivel ajustado en 21 o más.

Para comprobar la hora y la fuente de sonido especificadas

Pulse **TIMER**. La hora de encendido del temporizador, el nombre de la fuente seleccionada y la duración del periodo de activación por temporizador se visualizarán durante 4 segundos.

Para cancelar temporalmente el modo de espera del temporizador

Pulse repetidamente **TIMER** hasta que \odot o \odot REC desaparezca del visualizador.

Para reponer el modo de espera del temporizador, pulse una o dos veces **TIMER** para visualizar \odot o \odot REC.

Utilización de la unidad mientras esté ajustado el temporizador

Podrá utilizar normalmente la unidad después de ajustar el temporizador.

Antes de desconectar la alimentación, siga el paso 5 para preparar la fuente de sonido y ajuste el volumen y el tono.

NOTA

- La reproducción y la grabación con temporizador no empezarán si no se desconecta la alimentación.
- El equipo conectado no se podrá encender ni apagar con el temporizador incorporado de esta unidad. Utilice en este caso un temporizador externo.

GRABACION CON TEMPORIZADOR

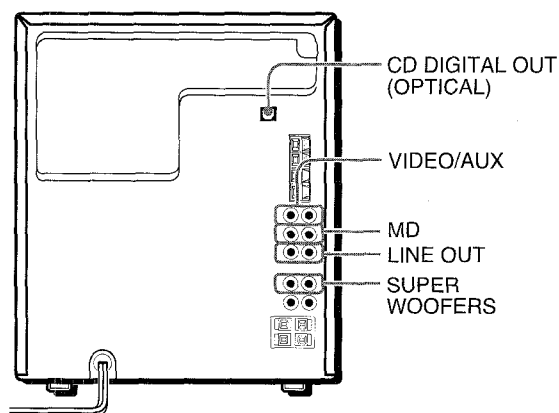
La grabación con temporizador sólo podrá utilizarse con las fuentes de sonido **TUNER** y **VIDEO/AUX** (con un temporizador externo).

Pulse **TIMER** repetidamente hasta que aparezca \odot REC, y luego pulse **|| SET** antes de que pasen 6 segundos. Ejecute los pasos de "AJUSTE DEL TEMPORIZADOR", a partir del paso 2, e inserte la cinta que vaya a grabar en la platina 2 después de efectuar el paso 5.

* En lugar de **||SET** también se encuentra disponible **ENTER**.

* También se puede utilizar **MULTI JOG** en lugar de **◀◀** y **▶▶**.

CONEXION DE UN EQUIPO OPCIONAL



Consulte el manual de instrucciones del equipo conectado para tener más detalles.

- Los cables de conexión no han sido suministrados. Obtenga los cables de conexión necesarios.
- Consulte con su concesionario Aiwa en cuanto al equipo opcional.

TOMAS VIDEO/AUX, TOMAS MD

Esta unidad puede introducir señales de sonido analógico a través de estas tomas.

Utilice un cable con clavijas fono RCA para conectar equipos de audio (giradiscos, reproductores de discos láser, reproductores de minidiscos, vídeos, televisores, etc.).

Conecte la clavija roja a la toma **R** y la blanca a la toma **L**.

Cuando conecte un giradiscos

Utilice un giradiscos Aiwa con amplificador ecualizador incorporado.

TOMAS LINE OUT

Esta unidad puede dar salida a señales de sonido analógico a través de estas tomas.

Utilice un cable con clavijas fono RCA para conectar un equipo de audio con tomas **LINE IN** (entrada analógica).

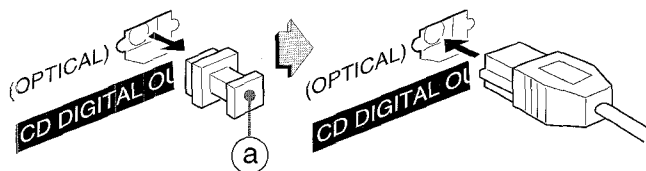
NOTA

No conecte simultáneamente un equipo a los terminales **LINE OUT** y **VIDEO/AUX**. De otra forma, se producirán ruidos y averías.

TOMA CD DIGITAL OUT (OPTICAL)

Esta unidad puede dar salida a señales de sonido digital de discos compactos a través de esta toma. Utilice un cable óptico para conectar el equipo de audio digital (platina de cinta audiodigital, grabadora de minidiscos, etc.).

Quite la tapa contra el polvo (a) de la toma **CD DIGITAL OUT (OPTICAL)**. Luego, conecte una clavija del cable óptico a la toma **CD DIGITAL OUT (OPTICAL)**.



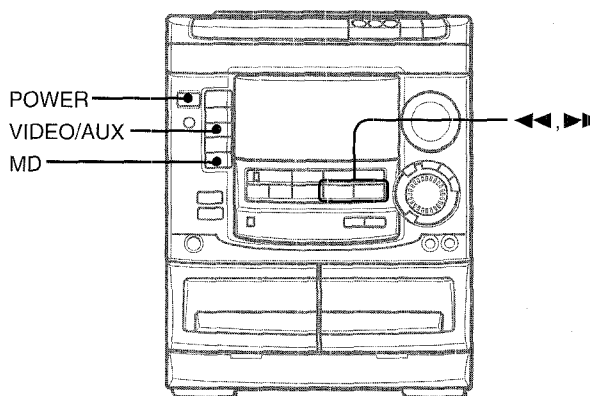
Cuando no se utilice la toma CD DIGITAL OUT (OPTICAL)

Ponga la tapa contra el polvo.

TOMAS SUPER WOOFERS

Conecte altavoces de subgraves activos opcionales con amplificadores incorporados a esta toma.

ESCUCHA DE FUENTES DE SONIDO EXTERNAS



Para hacer la reproducción en el equipo conectado a las tomas **VIDEO/AUX** o **MD**, siga el procedimiento siguiente:

1 Pulse VIDEO/AUX o MD.

Cuando se haga la reproducción en un equipo conectado a las tomas **VIDEO/AUX**: pulse **VIDEO/AUX**.

Cuando se haga la reproducción en un equipo conectado a las tomas **MD**: pulse **MD**.

2 Haga la reproducción en el equipo conectado.

Para cambiar el nombre de una fuente de sonido en el visualizador

Cuando se pulse **VIDEO/AUX**, "VIDEO" se visualizará inicialmente. Esto podrá ser cambiado por "AUX" o "TV".

Cuando la alimentación esté conectada, pulse **POWER** mientras pulsa **VIDEO/AUX**.

Repita el procedimiento para seleccionar uno de los nombres.

Para ajustar el nivel del sonido de la fuente de sonido externa

Cuando el nivel del sonido de la fuente externa sea muy superior o muy inferior al nivel del sonido de otras fuentes de sonido, ajústelo de la forma siguiente:

- 1 Pulse **VIDEO/AUX** o **MD** y haga la reproducción en el equipo.
- 2 Pulse ◀ o ▶ para que el nivel del sonido sea el mismo que el de otras fuentes.

NOTA

Durante la grabación, el nivel del sonido no se podrá ajustar.

CUIDADOS Y MANTENIMIENTO

El mantenimiento y el cuidado ocasional de la unidad y del software resultan necesarios para optimizar las prestaciones de su unidad.

Para limpiar la caja

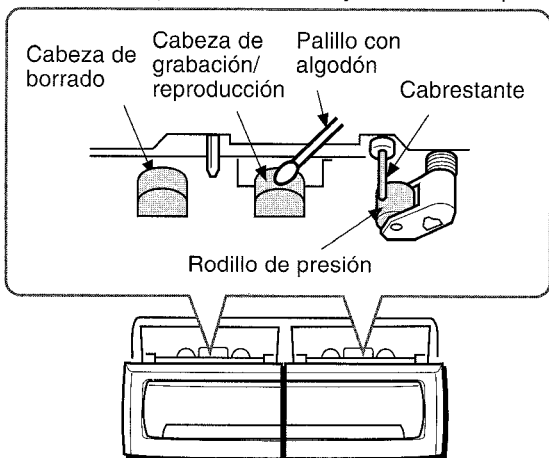
Utilice un paño blando y seco.

Si las superficies están muy sucias, utilice un paño suave humedecido un poco en una solución de detergente suave. No utilice disolventes fuertes tales como alcohol, bencina o diluyente porque éstos podrían estropear el acabado de la unidad.

Para limpiar las cabezas y los puntos por donde pasa la cinta

Después de cada 10 horas de funcionamiento, limpie las cabezas y los puntos por donde pasa la cinta con un casete de limpieza de cabezas o un palillo con algodón humedecido con líquido de limpieza o alcohol desnaturalizado. (Estos juegos de limpieza pueden adquirirse en los comercios del ramo.)

Cuando limpie con un palillo con algodón, limpie la cabeza de reproducción/grabación (platina 2 solamente), la cabeza de borrado (platina 2 solamente), los cabrestantes y los rodillos de presión.



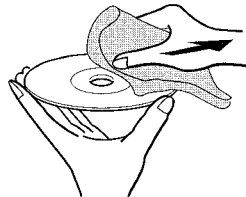
Después de limpiar las cabezas y los puntos por donde pasa la cinta con un casete de limpieza de cabezas que emplee líquido o un palillo con algodón humedecido en líquido de limpieza, espere hasta que las partes limpiadas estén completamente secas antes de introducir las cintas.

Para desmagnetizar las cabezas

Las cabezas se magnetizan después de utilizarlas durante mucho tiempo. Esto puede reducir la gama de salida de las cintas grabadas y aumentar el ruido. Después de 20 a 30 horas de utilización, desmagnetice las cabezas con un desmagnetizador de venta en el comercio del ramo.

Cuidado de los discos

- Cuando un disco esté sucio, límpielo pasando un paño de limpieza desde el centro hacia afuera.



- Después de reproducir un disco, guárdelo en su caja. No deje los discos en lugares calientes o húmedos.

Cuidados de las cintas

- Guarde las cintas en sus cajas después de utilizarlas.
- No deje las cintas cerca de imanes, motores, televisores o cualquier otra fuente de magnetismo. Esto reducirá la calidad del sonido y causará ruidos.
- No exponga cintas a la luz directa del sol, ni las deje en el interior de un automóvil estacionado bajo la luz directa del sol.

GUIA PARA LA SOLUCION DE PROBLEMAS

Si la unidad no funciona como se describe en este manual de instrucciones, compruebe la guía siguiente:

GENERALIDADES

No hay sonido.

- ¿Está bien conectado el cable de alimentación de CA?
- ¿Hay alguna conexión mal hecha? (→ página 3)
- Puede haber un cortocircuito en los terminales de los altavoces.
 - Desconecte el cable de alimentación de CA, espere 5 segundos como mínimo y corrija las conexiones de los altavoces.
- ¿Se ha pulsado un botón de función equivocado?

Sólo sale sonido de un altavoz.

- ¿Está el otro altavoz desconectado?

La salida de sonido no es estéreo.

- ¿Está activada la función de karaoke? (→ página 16)

Se produce una visualización errónea o un mal funcionamiento.

- Vuelva a ajustar la unidad como se indica más abajo.

SECCION DEL SINTONIZADOR

Hay un ruido de estática constante en forma de onda.

- ¿Está conectada correctamente la antena? (→ página 4)
- ¿Es débil la señal?
 - Conecte una antena exterior.

La recepción tiene interferencias o el sonido está distorsionado.

- ¿Capta el sistema ruidos externos o distorsión de múltiples trayectorias?
 - Cambie la orientación de la antena.
 - Separe la unidad de otros aparatos eléctricos.

SECCION DE LA PLATINA

La cinta no se mueve.

- ¿Está la platina 2 en el modo de pausa? (→ página 11)

El sonido está desequilibrado o no alcanza la altura suficiente.

- ¿Está sucia la cabeza de reproducción? (→ página 21)

No es posible grabar.

- ¿Está rota la lengüeta de prevención contra borrado? (→ página 12)
- ¿Está sucia la cabeza de grabación? (→ página 21)

No es posible borrar la grabación.

- ¿Está sucia la cabeza de borrado? (→ página 21)
- ¿Está utilizando una cinta de metal?

No se emite sonido de alta frecuencia.

- ¿Está sucia la cabeza de grabación/reproducción? (→ página 21)

SECCION DEL REPRODUCTOR DE DISCOS COMPACTOS

El reproductor de discos compactos no puede reproducir.

- ¿Está bien puesto el disco? (→ página 9)
- ¿Está sucio el disco? (→ página 21)
- ¿Afecta la condensación a la lente?
 - Espere una hora aproximadamente y pruebe otra vez.

Para reajustar la unidad

Si se produce alguna condición extraña en el visualizador o en las platinas, reajuste la unidad de la forma siguiente:

- 1 Pulse **POWER** para desconectar la alimentación.
- 2 Pulse **POWER** para conectar la alimentación mientras pulsa **■ CLEAR**. Todo lo que haya sido almacenado en la memoria después de haber adquirido la unidad se borrará.

Si no puede desconectarse la alimentación en el paso 1 debido a algún mal funcionamiento, reajuste la unidad desconectando el cable de alimentación de CA y conectándolo de nuevo. Luego ejecute el paso 2.

ESPECIFICACIONES

Unidad principal CX-NA508

Sección del sintonizador de FM

Gama de sintonización	87,5 MHz a 108 MHz
Sensibilidad útil (IHF)	13,2 dBf
Terminales de antena	75 ohmios (desequilibrada)

Sección del sintonizador de AM

Gama de sintonización	530 kHz a 1710 kHz (pasos de 10 kHz) 531 kHz a 1602 kHz (pasos de 9 kHz)
Sensibilidad útil	350 μ V/m
Antena	Antena de cuadro

Sección del amplificador

Potencia de salida	60 W + 60 W (50 Hz – 20 kHz, con no más del 1% de distorsión armónica total, 6 ohmios)
Distorsión armónica total	0,05% (50 W, 1 kHz, 6 ohmios, DIN AUDIO)
Entradas	VIDEO/AUX: 150 mV (ajustable) MD: 150 mV (ajustable) MIC: 1,8 mV (10 kohmios)
Salidas	LINE OUT: 200mV SUPER WOOFERS: 1,9 V SPEAKERS: Acepta altavoces de 6 ohmios o más SURROUND SPEAKERS: Acepta altavoces de 8 ohmios a 16 ohmios PHONES (toma estéreo): Acepta auriculares de 32 ohmios o más

Sección de la platina

Formato de pistas	4 pistas, 2 canales estéreo
Respuesta de frecuencia	50 Hz–15000 Hz
Sistema de grabación	Polarización de CA
Cabezas	Platina 1: 1 cabeza de reproducción Platina 2: 1 cabeza de grabación/reproducción, 1 cabeza de borrado

Sección del reproductor de discos compactos

Láser	Láser de semiconductor ($\lambda = 780$ nm)
Convertidor D-A	1 bit doble
Relación señal a ruido	85 dB (1 kHz, 0 dB)
Distorsión armónica	0,05% (1 kHz, 0 dB)
Fluctuación y trémolo	No se puede medir

Generalidades

Alimentación	120 V CA, 60 Hz
Consumo	100 W
Dimensiones de la unidad principal (An \times Al \times Prof)	260 \times 329,1 \times 344,5 mm
Peso de la unidad principal	6,4 kg

Sistema de altavoces SX-NA502

Tipo de caja	3 vías, reflejo de graves (tipo de blindaje antimagnético)
Altavoces	Altavoz para graves: Tipo cónico de 140 mm Altavoz para agudos: Tipo cónico de 60 mm Altavoz para superagudos: Tipo cerámico de 10 mm 6 ohmios
Impedancia	
Nivel de presión acústica de salida	87 dB/W/m
Dimensiones (An \times Al \times Prof)	235 \times 324 \times 250 mm
Peso	3,3 kg

Las especificaciones y el aspecto exterior están sujetos a cambios sin previo aviso.

BBE SYSTEM

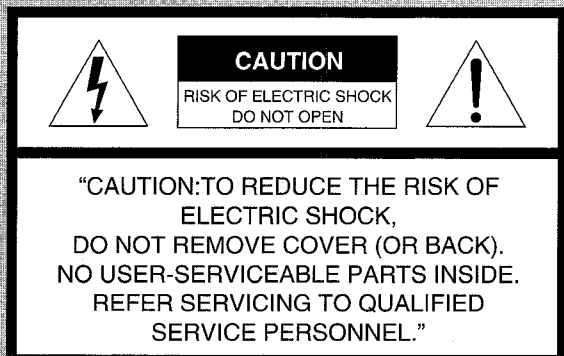
La sigla "BBE" y el símbolo "BBE" son marcas registradas de BBE Sound, Inc.
Bajo licencia de BBE Sound, Inc.

DERECHOS DE AUTOR

Sírvase comprobar las leyes de derechos de autor relacionadas con la grabación de discos, de la radio o de cintas del país en el que se utilice el aparato.

AVERTISSEMENT

POUR REDUIRE LE RISQUE DE COURT-CIRCUIT OU DE CHOC ELECTRIQUE, NE PAS EXPOSER CET APPAREIL A LA PLUIE OU A L'HUMIDITE.



Signification des symboles graphiques:



L'éclair portant une flèche, situé dans un triangle équilatéral, sert à prévenir l'utilisateur de la présence d'une "tension dangereuse" non isolée à l'intérieur de l'appareil, assez élevée pour constituer un risque d'électrocution.



Le point d'exclamation situé dans un triangle équilatéral sert à prévenir l'utilisateur de la présence d'instructions importantes concernant l'utilisation et l'entretien (ou la réparation) de l'appareil dans le manuel qui accompagne ce dernier.

Relevé du propriétaire


Pour plus de commodité, noter le numéro de modèle et le numéro de série (ces numéros se trouvent au dos de l'appareil) dans les cases ci-dessous. Prière de mentionner ces numéros quand on contacte un distributeur Aiwa en cas de difficulté.

N° de modèle	N° de série (N° de lot)
CX-NA508	
SX-NA502	
SX-R275	

PRECAUTIONS

Lire le mode d'emploi attentivement et complètement avant d'utiliser l'appareil. Garder le mode d'emploi pour toute référence future. Tous les avertissements et toutes les précautions donnés dans le mode d'emploi et sur l'appareil doivent être suivis à la lettre, aussi bien que les suggestions de sécurité suivantes.

Installation

- Eau et humidité** — Ne pas utiliser cet appareil près d'eau, comme près d'une baignoire, d'une cuvette, d'une piscine ou autre.
- Chaleur** — Ne pas utiliser cet appareil près de sources de chaleur, comme sorties de chauffage, poêles ou autres appareils qui dégagent de la chaleur. L'appareil ne doit pas être soumis à des températures inférieures à 5°C ou supérieures à 35°C.
- Surface d'utilisation** — Poser l'appareil sur une surface plate et lisse.
- Ventilation** — L'appareil doit être positionné avec un espace suffisant autour afin d'assurer une dissipation adéquate de la chaleur. Laisser un espace de 10 cm derrière et dessus l'appareil, et un espace de 5 cm de chaque côté.
 - Ne pas mettre l'appareil sur un lit, un tapis ou sur une surface similaire qui pourrait obstruer les orifices de ventilation.
 - Ne pas mettre l'appareil dans une bibliothèque, un coffret ou un meuble complètement fermé où l'aération serait insuffisante.
- Entrée d'objets et de liquide** — Faire attention à ce que aucun corps étranger ou liquide ne pénètre dans l'appareil pas les orifices de ventilation.
- Chariot et support** — Si l'appareil est posé ou monté sur un support ou un chariot, déplacer ce dernier avec précaution. Les arrêts brusques, une force excessive et les surfaces inégales peuvent provoquer le renversement ou la chute de l'appareil et du chariot.
 
- Condensation** — De la condensation peut se former sur la lentille du capteur du lecteur de disques compacts quand:
 - l'appareil est déplacé d'un endroit froid à un endroit chaud.
 - le chauffage vient juste d'être mis en marche.
 - l'appareil est utilisé dans une pièce très humide.
 - l'appareil est refroidi par un climatiseur.
 S'il y a de la condensation à l'intérieur de cet appareil, il risque de ne pas fonctionner correctement. Le cas échéant, laisser l'appareil pendant quelques heures, puis essayer de nouveau de l'utiliser.
- Fixation à un mur ou un plafond** — L'appareil ne doit pas être fixé à un mur ou un plafond, à moins que ce ne soit spécifié dans le mode d'emploi.

Energie électrique

- Alimentations électriques** — Brancher cet appareil uniquement aux alimentations électriques spécifiées dans le mode d'emploi, et comme indiqué sur l'appareil.
- Polarisation** — Comme mesure de sécurité, certains appareils sont munis de fiches polarisées d'alimentation secteur qui ne peuvent être introduites que dans un sens dans une prise de courant. S'il est difficile ou impossible d'insérer la fiche d'alimentation secteur dans une prise, retourner la fiche et essayer de nouveau. Si l'on ne peut toujours pas insérer la fiche dans la prise, s'adresser à un électricien qualifié pour faire réparer ou changer la prise. Afin de ne pas annuler la sécurité de la fiche polarisée, ne pas insérer cette fiche en force dans une prise.

3 Cordon d'alimentation secteur

- Pour débrancher le cordon d'alimentation secteur, le tirer par sa fiche. Ne pas tirer sur le cordon proprement dit.
- Ne jamais tenir la fiche d'alimentation secteur avec les mains mouillées, cela pourrait se traduire par un court-circuit ou un choc électrique.
- Les cordons d'alimentation doivent être installés de manière à ne pas être pliés, pincés ou piétinés. Faire particulièrement attention au cordon allant de l'appareil à la prise de courant.
- Eviter de surcharger les prises d'alimentation et les rallonges au-delà de leur capacité, cela pourrait se traduire par un court-circuit ou un choc électrique.

4 Rallonge — Afin d'éviter tout choc électrique, ne pas utiliser une fiche polarisée d'alimentation secteur avec une rallonge ou une prise si cette fiche ne peut pas être insérée complètement de manière que ses lames ne soient pas exposées.

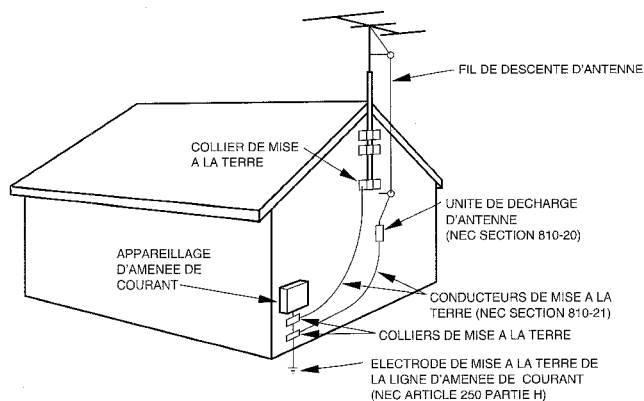
5 Périodes de non-utilisation — Débrancher le cordon d'alimentation secteur de la prise de courant si l'appareil ne doit pas être utilisé pendant plusieurs mois ou plus. Quand le cordon est branché, un courant de faible intensité continue de circuler dans l'appareil même si l'alimentation est coupée.

Antenne extérieure

1 Lignes d'amenée de courant — Quand on branche une antenne extérieure, s'assurer qu'elle est située à l'écart de toute ligne d'amenée de courant.

2 Mise de l'antenne extérieure à la terre — Afin d'assurer une protection contre toute impulsion de tension et contre toute accumulation d'électricité statique, s'assurer que l'antenne est correctement mise à la terre. L'article 810 du code national d'électricité (NEC), ANSI/NFPA 70, fournit des informations au sujet de la mise à la terre du mât, de la structure de support et du conducteur arrivant à l'unité de décharge d'antenne et au sujet des dimensions des conducteurs de mise à la terre, de la connexion aux électrodes de mise à la terre et des exigences concernant ces électrodes.

Mise à la terre d'une antenne selon le code national d'électricité (NEC)



NEC: CODE NATIONAL D'ELECTRICITE

Entretien

Nettoyer l'appareil uniquement comme recommandé dans le mode d'emploi.

Domage nécessitant une réparation

S'adresser à un technicien qualifié pour faire réparer l'appareil si:

- Le cordon ou la fiche d'alimentation secteur de l'appareil est endommagé.
- Tout corps étranger ou liquide est entré dans l'appareil.
- L'appareil a été exposé à la pluie ou à de l'eau.
- L'appareil ne semble pas fonctionner normalement.
- L'appareil présente un changement notable de performances.
- L'appareil a subi un choc, ou son coffret a été endommagé.

N'ESSAYEZ PAS DE REPARER L'APPAREIL VOUS-MEME.

TABLE DES MATIERES

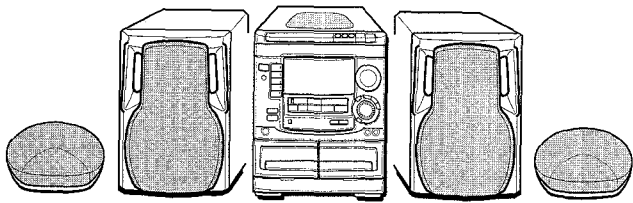
PRECAUTIONS	1
PREPARATIONS	
CONNEXIONS	3
TELECOMMANDE	5
AVANT L'UTILISATION	5
SON	
REGLAGES AUDIO	6
EGALISEUR GRAPHIQUE	7
RECEPTION RADIO	
ACCORD MANUEL	8
MEMORISATION DE STATIONS	8
LECTURE DE DISQUES COMPACTS	
OPERATIONS DE BASE	9
LECTURE PROGRAMMEE	10
LECTURE DE CASSETTES	
OPERATIONS DE BASE	11
ENREGISTREMENT	
ENREGISTREMENT DE BASE	12
DUPLICATION MANUELLE D'UNE CASSETTE	13
DUPLICATION DE LA TOTALITE D'UNE CASSETTE ...	13
ENREGISTREMENT AVEC MONTAGE ET CALCUL DU TEMPS	14
ENREGISTREMENT AVEC MONTAGE PROGRAMME	15
KARAOKE	
MIXAGE AVEC MICROPHONE	16
PROGRAMME DE KARAOKE	17
HORLOGE ET MINUTERIE	
REGLAGE DE L'HORLOGE	18
REGLAGE DE LA MINUTERIE D'ARRET	18
REGLAGE DE LA MINUTERIE	19
AUTRES CONNEXIONS	
CONNEXION D'UN APPAREIL OPTIONNEL	20
ECOUTE DE SOURCES EXTERNES	20
GENERALITES	
SOINS ET ENTRETIEN	21
EN CAS DE PROBLEME	21
SPECIFICATIONS	22
NOMENCLATURE	Couverture du dos

F

CONNEXIONS

Contrôler la chaîne et les accessoires.

NSX-A508

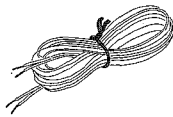
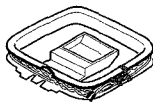
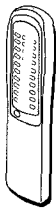


CX-NA508 Radio magnétocassette lecteur de disques compacts stéréo
 SX-NA502 Enceintes avant
 SX-R275 Enceintes surround

Télécommande

Antenne AM

Antenne FM



Mode d'emploi, etc

Avant de brancher le cordon secteur

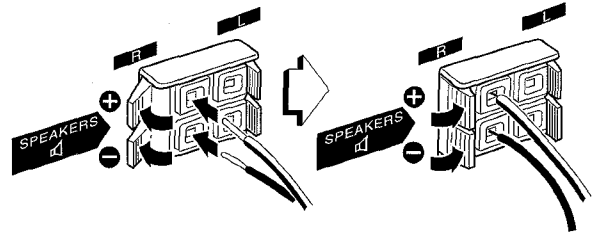
La tension nominale d'alimentation secteur de l'appareil, indiquée au dos de ce dernier, est de 120V. S'assurer que cette tension nominale correspond à celle du secteur local.

IMPORTANT:

Commencer par brancher les enceintes, les antennes et tout appareil optionnel. Brancher le cordon secteur en dernier.

1 Connecter les enceintes droite et gauche à l'appareil principal.

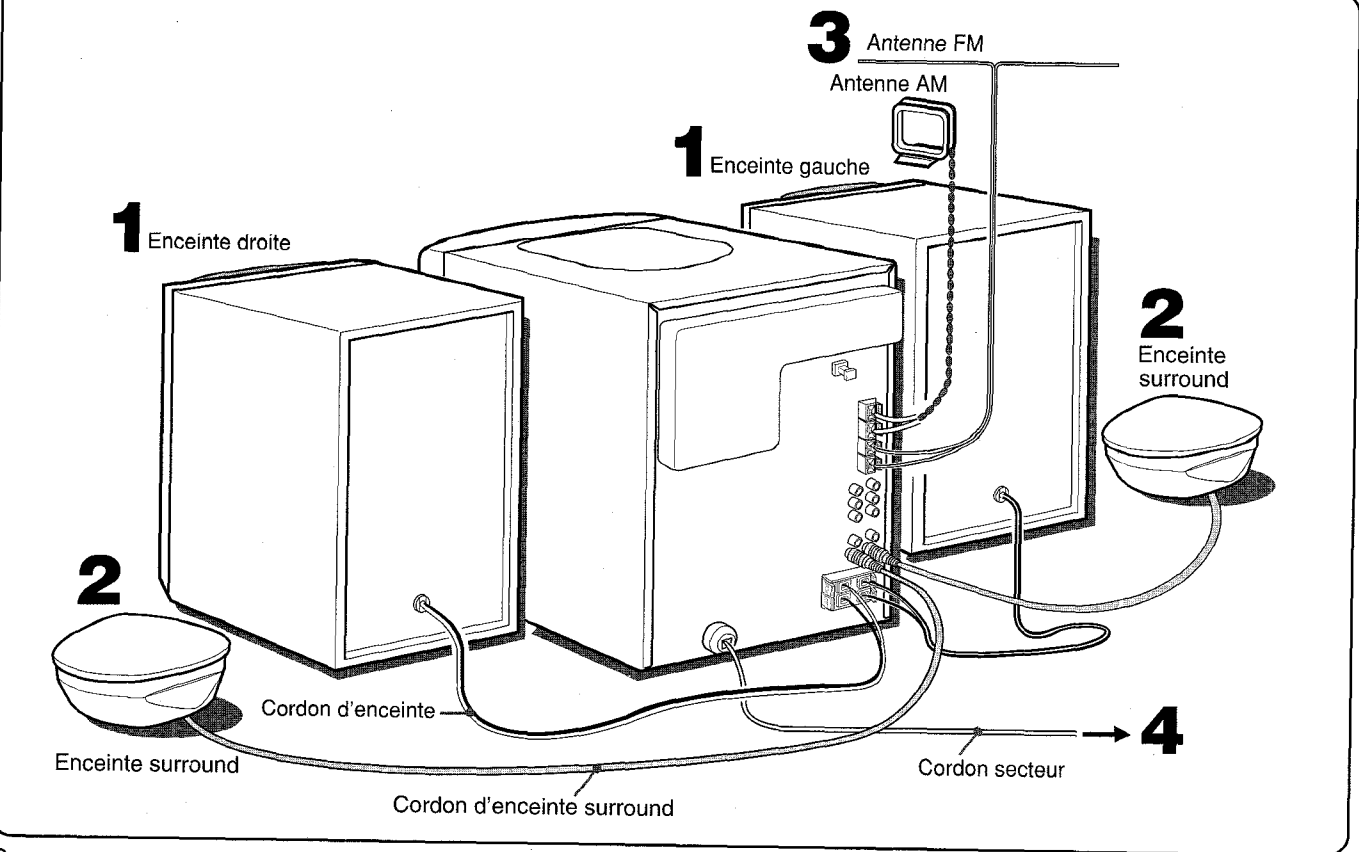
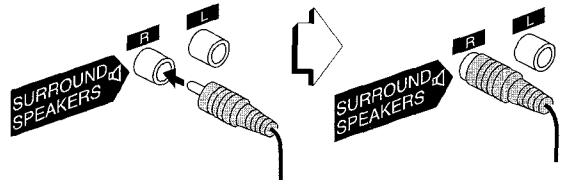
Connecter le cordon de l'enceinte droite aux bornes **SPEAKERS R** et celui de l'enceinte gauche aux bornes **SPEAKERS L**.



Le cordon d'enceinte rayé de blanc doit être connecté à la borne **+** et le cordon noir à la borne **-**.

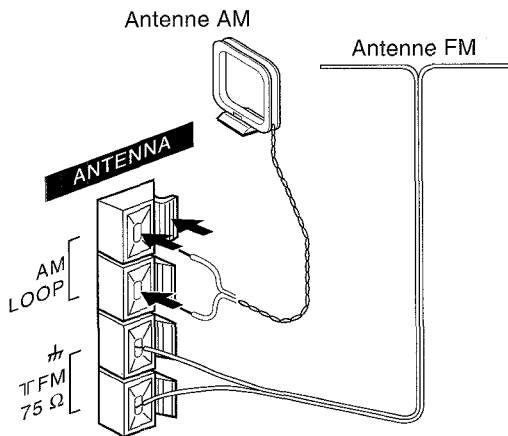
2 Connecter les enceintes surround à l'appareil principal.

Il n'y a pas de différence entre les enceintes surround. Connecter le cordon de chaque enceinte surround à la borne **SURROUND SPEAKERS R** ou **L**.



3 Connecter les antennes fournies.

Connecter l'antenne FM aux bornes **FM 75 Ω** et l'antenne AM aux bornes **AM LOOP**.



4 Brancher le cordon secteur à une prise de courant.

Pour positionner les antennes

Antenne FM intérieure:

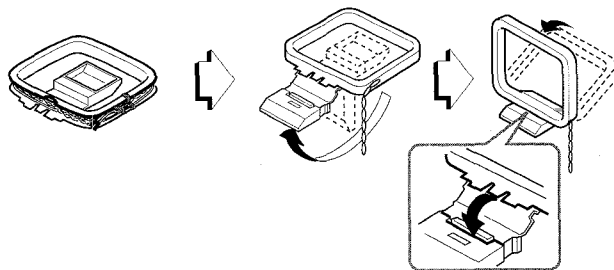
Déployer cette antenne horizontalement selon la forme d'un T et fixer ses extrémités à un mur.

Antenne AM:

Orienter cette antenne de manière à obtenir la meilleure réception possible.

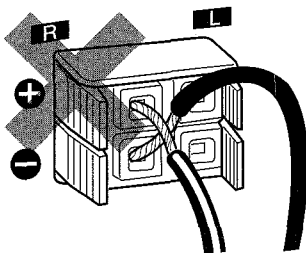
Pour poser l'antenne AM sur une surface

Fixer la griffe dans la rainure.



REMARQUE

- Faire attention à connecter les cordons d'enceinte correctement. Des connexions incorrectes peuvent provoquer des courts-circuits dans les bornes **SPEAKERS**.

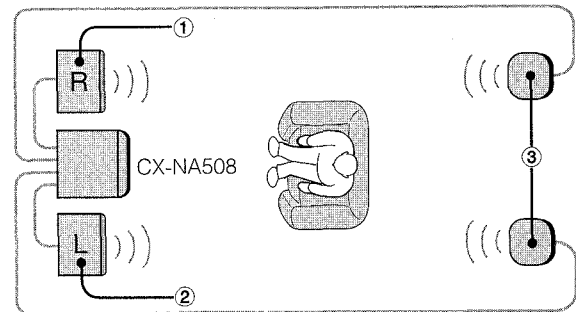


- Ne pas laisser d'objets produisant un champ magnétique, tels que des cartes de crédit, près des enceintes; ils pourraient être endommagés.
- Ne pas mettre l'antenne FM près d'objets métalliques ou de tringles à rideaux.
- Ne pas mettre l'antenne AM près d'un appareil optionnel, de la chaîne stéréo proprement dite, du cordon secteur ou des cordons d'enceinte; elle pourrait capter des parasites.
- Ne pas dérouler le fil de l'antenne AM.

POSITIONNEMENT DES ENCEINTES

Positionner les enceintes de manière à obtenir le meilleur effet possible du système SURROUND.

Positionnement standard



① Enceinte avant (gauche)

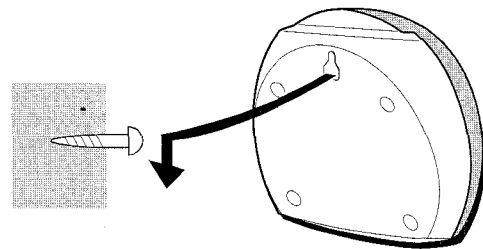
② Enceinte avant (droite)

③ Enceinte surround

Mettre les enceintes surround derrière la zone d'écoute.

Pour fixer les enceintes surround à un mur

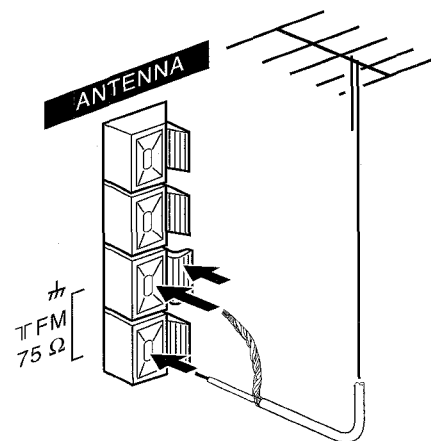
Fixer chaque enceinte à un endroit qui peut supporter son poids.



CONNEXION D'UNE ANTENNE EXTERIEURE

Pour obtenir une meilleure réception FM, il est recommandé d'utiliser une antenne extérieure.

Connecter l'antenne extérieure aux bornes **FM 75 Ω**.

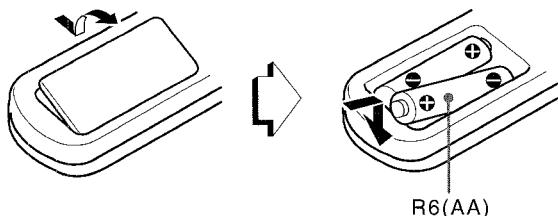


Pour connecter un appareil optionnel → page 20.

TELECOMMANDE

Mise en place des piles

Enlever le couvercle des piles du dos de la télécommande et mettre deux piles R6 (taille AA) en place.



Quand remplacer les piles

La distance maximale de fonctionnement de la télécommande entre cette dernière et le capteur situé sur l'appareil principal doit être d'environ cinq mètres. Lorsque cette distance diminue, remplacer les piles par des neuves.

Utilisation de SHIFT de la télécommande

Les touches ① possèdent deux fonctions différentes. Une de ces fonctions est indiquée sur la touche, et l'autre sur la plaque se trouvant au-dessus de la touche.

Pour utiliser la fonction indiquée sur la touche, il suffit d'appuyer sur cette dernière.

Pour utiliser la fonction indiquée sur la plaque se trouvant au-dessus de la touche, appuyer sur cette dernière tout en appuyant sur **SHIFT**.

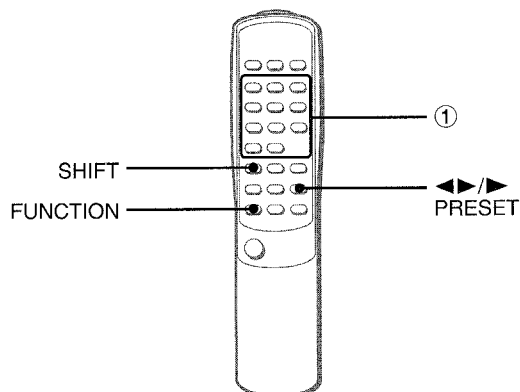
Utilisation de FUNCTION de la télécommande

FUNCTION remplace les touches de fonction (**TAPE DECK 1/2**, **TUNER**, **VIDEO/AUX**, **CD** et **MD**) de l'appareil principal.

A chaque pression sur **FUNCTION**, la fonction suivante est sélectionnée de manière cyclique. Quand il a une cassette dans chacune des deux platines, chaque platine est sélectionnée avec **FUNCTION**.

◀▶/▶ PRESET de la télécommande

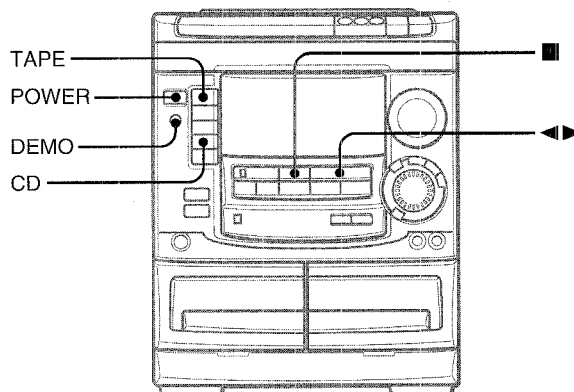
La fonction est la même que celle de ◀▶ de l'appareil principal.



REMARQUE

- Si la télécommande ne doit pas être utilisée pendant longtemps, enlever les piles pour éviter tout risque de fuite d'électrolyte.
- La télécommande risque de ne pas fonctionner correctement quand:
 - l'espace entre la télécommande et le capteur situé sur la fenêtre d'affichage est exposé à une lumière intense, comme le soleil.
 - d'autres télécommandes (téléviseur, etc.) sont utilisées à proximité.

AVANT L'UTILISATION



Pour mettre l'appareil sous tension

Appuyer sur une des touches de fonction (**TAPE**, **TUNER**, **VIDEO/AUX**, **CD**, **MD**). La lecture du disque ou de la cassette en place commence, ou la station écoutée en dernier est reçue (fonction de lecture directe).

On peut aussi appuyer sur **POWER**.

Quand l'appareil est mis sous tension, le compartiment à disques peut s'ouvrir et se fermer pour réinitialisation de l'appareil.

Pour couper l'alimentation

Appuyer sur **POWER**.

Fenêtres clignotantes

Les fenêtres situées au sommet de l'appareil et sur les platines de magnétocassette s'allument ou clignotent quand l'appareil est mis sous tension.

Pour éteindre l'éclairage de la fenêtre supérieure, appuyer sur ■ tout en appuyant sur **CD**. Pour rallumer l'éclairage, répéter cette opération.

Démonstration de jeu

Quand on branche le cordon secteur, la démonstration de jeu apparaît sur la fenêtre d'affichage. Lors de la mise sous tension, la démonstration de jeu est remplacée par l'affichage d'opération. Quand l'alimentation est coupée, la démonstration de jeu est rétablie.

Pour annuler la démonstration de jeu

Appuyer sur **DEMO**. Pour rétablir la démonstration de jeu, appuyer de nouveau sur **DEMO**.

Utilisation de la démonstration de jeu

- 1 Appuyer sur **DEMO** de manière que la démonstration de jeu soit affichée.
- 2 Appuyer sur ◀▶.
Trois chiffres se mettent à défiler sur l'affichage.
- 3 Appuyer une fois sur ■.
Le chiffre de gauche s'arrête.
- 4 Appuyer deux fois sur ■ pour arrêter les chiffres restants.

Marque des points:

On dispose de 20 points au démarrage du jeu.

Si les trois chiffres sont égaux, 50 points sont ajoutés au score.

Si les chiffres ne sont pas égaux, un point est soustrait.

Si le total des points atteint 9999, on a gagné.

Si le total des points tombe à 0, on a perdu

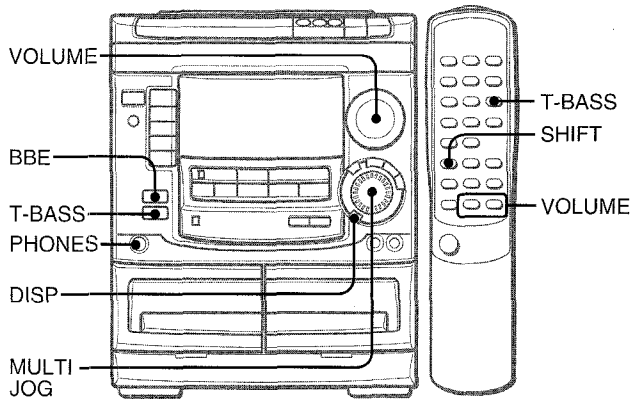
Pour réinitialiser la démonstration de jeu

Appuyer deux fois sur **DEMO**, puis appuyer sur ◀▶. Le jeu redémarre.

REMARQUE

- Pendant l'utilisation de la démonstration de jeu, ■ et ◀▶ ne sont disponibles que pour cette démonstration. Pour utiliser ces touches pour les fonctions telles que lecture de disques compacts et autre, annuler la démonstration de jeu.
- Pendant la démonstration de jeu, certains indicateurs sans rapport avec l'utilisation réelle s'allument.

REGLAGES AUDIO



VOLUME

Tourner **VOLUME** de l'appareil principal, ou appuyer sur **VOLUME** de la télécommande.

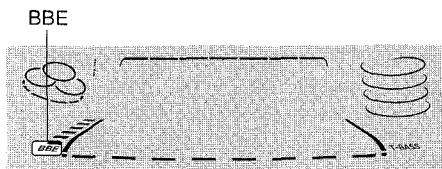
Le niveau du volume est affiché sous la forme d'un nombre de 0 à MAX (50). Quand on coupe l'alimentation alors que le niveau du volume est réglé à 21 ou plus, ce niveau est automatiquement réglé à 20.

SYSTEME BBE

Le système BBE augmente la clarté du son aux fréquences élevées. Il enrichit aussi la fonction Karaoke pour donner un son clair et agréable de la voix.

Appuyer sur BBE.

A chaque pression sur cette touche, le niveau change. Sélectionner un des trois niveaux ou la position de repos, comme on préfère.



Pour assombrir l'éclairage de l'affichage

- 1 Appuyer deux fois sur **DISP** de manière que "DIMMER" soit affiché.
- 2 Dans les quatre secondes, tourner **MULTI JOG** pour sélectionner le mode de luminosité comme suit.

→ DIMMER 0 → DIMMER 1 → DIMMER 2 → DIMMER 3 →

DIMMER 0: L'affichage normal est rétabli.

DIMMER 1: L'éclairage de l'affichage est plus sombre que d'habitude.

DIMMER 2: L'éclairage de l'affichage est plus sombre que dans le mode DIMMER 1.

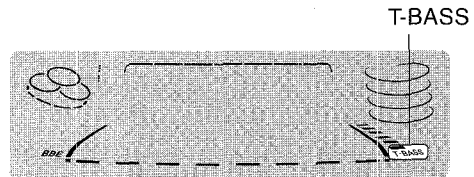
DIMMER 3: L'éclairage de l'affichage est plus sombre que dans le mode DIMMER 2 et l'analyseur de spectre et l'éclairage des touches s'éteignent.

SYSTEME SUPER T-BASS

Le système T-BASS améliore le réalisme du son aux basses fréquences.

Appuyer sur T-BASS.

A chaque pression sur cette touche, le niveau change. Sélectionner un des trois niveaux ou la position de repos, comme on préfère.



Pour sélectionner avec la télécommande

Appuyer sur **T-BASS** tout en appuyant sur **SHIFT**.

REMARQUE

- Le son aux basses fréquences risque d'être déformé quand le système T-BASS est utilisé pour un disque ou une cassette dont le son aux basses fréquences est accentué d'origine. Dans ce cas, annuler le système T-BASS.
- Lors de la lecture d'une cassette enregistrée avec BBE, il est conseillé de mettre le système BBE hors service pour éviter une distorsion du son aux fréquences élevées.

Utilisation d'un casque

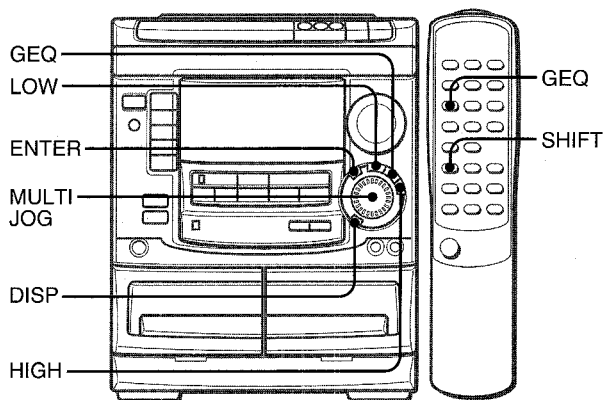
Brancher un casque muni d'une fiche stéréo standard (6,3 mm \varnothing) à la prise **PHONES**.

Aucun son ne sort par les enceintes quand un casque est branché.

Réglage du son pendant l'enregistrement

On peut faire varier librement le volume de sortie et la tonalité (BBE excepté) des enceintes ou du casque sans affecter le niveau de l'enregistrement.

EGALISEUR GRAPHIQUE



SELECTION D'UNE COURBE D'EGALISATION PROGRAMMEE

Cet appareil possède les cinq courbes d'égalisation programmées différentes suivantes.

ROCK: Son puissant accentuant les aigus et les graves

POP: Présence accrue des parties vocales et de la gamme moyenne

JAZZ: Fréquences basses accentuées pour la musique de type jazz

CLASSIC: Son enrichi par des graves puissants et des aigus fins

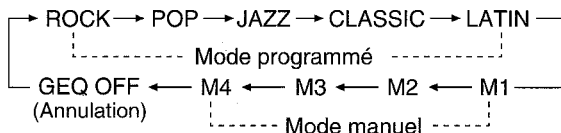
LATIN: courbe d'égalisation de type JAZZ avec les fréquences élevées

Appuyer sur **GEQ**, puis tourner **MULTI JOG** dans les quatre secondes pour sélectionner une des courbes d'égalisation programmées.

GRAPHIC EQUALIZER



"GRAPHIC EQUALIZER" apparaît ("GEQ OFF" excepté) et le mode d'égalisation graphique est affiché de manière cyclique comme suit.



Pour afficher le mode d'égalisation graphique courant
Appuyer sur **GEQ**. Le mode courant est affiché pendant quatre secondes.

Pour annuler le mode sélectionné

Appuyer sur **GEQ**, puis tourner **MULTI JOG** pour sélectionner "GEQ OFF" dans les quatre secondes. "GRAPHIC EQUALIZER" disparaît.

Pour sélectionner avec la télécommande

Appuyer sur **GEQ** à plusieurs reprises tout en appuyant sur **SHIFT**. Le mode d'égalisation graphique est affiché de manière cyclique comme ci-dessus.

Pour changer l'affichage de l'analyseur de spectre

Trois types d'affichage d'analyseur de spectre sont disponibles. Appuyer une fois sur **DISP**, puis tourner **MULTI JOG** dans les quatre secondes pour sélectionner l'affichage d'analyseur de spectre souhaité.

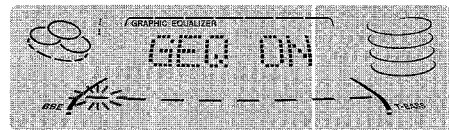
REGLAGE MANUEL D'UNE NOUVELLE COURBE D'EGALISATION

On peut personnaliser une courbe d'égalisation comme on préfère.

1 Appuyer sur LOW.

L'indicateur de niveau de la fréquence la plus basse clignote pendant quatre secondes.

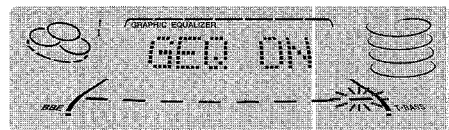
2 Dans les quatre secondes, tourner MULTI JOG pour régler le niveau de la fréquence la plus basse.



3 Appuyer sur HIGH.

L'indicateur de niveau de la fréquence la plus élevée clignote pendant quatre secondes.

4 Dans les quatre secondes, tourner MULTI JOG pour régler le niveau de la fréquence la plus élevée.



Les niveaux des fréquences comprises entre la plus basse et la plus élevée sont réglés en conséquence.

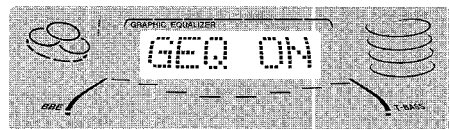
MEMORISATION DES NOUVELLES COURBES D'EGALISATION

Les modes manuels M1—M4 permettent de mémoriser jusqu'à quatre courbes d'égalisation personnalisées.

1 Régler une courbe d'égalisation avec HIGH, LOW et MULTI JOG.

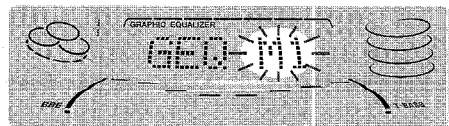
Voir la partie "REGLAGE MANUEL D'UNE NOUVELLE COURBE D'EGALISATION".

La courbe créée est affichée pendant quatre secondes.



2 Dans les quatre secondes, appuyer sur ENTER.

"M 1" clignote sur l'affichage pendant quatre secondes.



• Si cette étape n'est pas terminée dans les quatre secondes, appuyer d'abord sur **GEQ** pour afficher "GEQ ON" Ensuite, appuyer sur **ENTER** dans les quatre secondes.

3 Dans les quatre secondes, tourner MULTI JOG pour sélectionner un des modes manuels M1—M4 pour mémoriser la courbe.

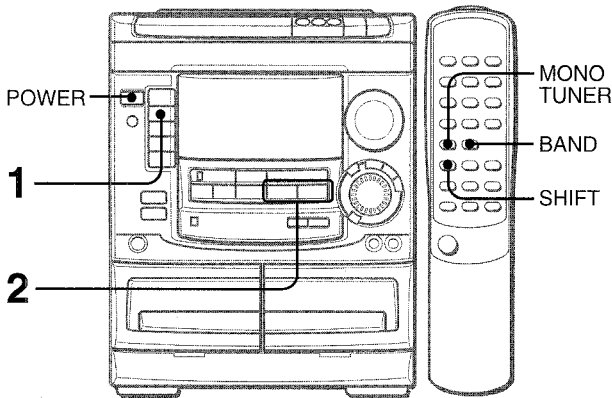
4 Dans les quatre secondes, appuyer sur ENTER.

La nouvelle courbe d'égalisation est mémorisée.

Pour sélectionner la courbe d'égalisation mémorisée

Appuyer sur **GEQ**, puis tourner **MULTI JOG** pour sélectionner un des modes manuels M1—M4 dans les quatre secondes.

ACCORD MANUEL



1 Appuyer sur TUNER BAND à plusieurs reprises pour sélectionner la gamme souhaitée.

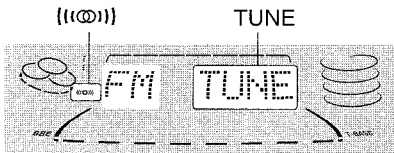


Quand on appuie sur TUNER BAND alors que l'alimentation est coupée, l'appareil est mis sous tension directement.

Pour sélectionner une gamme avec la télécommande Appuyer sur BAND tout en appuyant sur SHIFT.

2 Appuyer sur ◀◀ DOWN ou ▶▶ UP pour sélectionner une station.

A chaque pression sur la touche, la fréquence change. Quand une station est reçue, "TUNE" est affiché pendant deux secondes. Pendant la réception FM stéréo, ((Ⓜ)) est affiché.

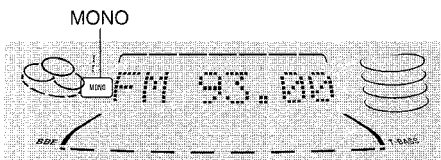


Pour rechercher une station rapidement (Recherche automatique)

Tenir ◀◀ DOWN ou ▶▶ UP enfoncée jusqu'à ce que la fréquence commence à changer rapidement. Après l'accord sur une station, la recherche s'arrête. Pour arrêter la recherche automatique manuellement, appuyer sur ◀◀ DOWN ou ▶▶ UP.

- La recherche automatique risque de ne pas s'arrêter sur les stations présentant des signaux très faibles.

Quand une émission FM stéréo présente des parasites Appuyer sur MONO TUNER tout en appuyant sur SHIFT de la télécommande de manière que "MONO" apparaisse sur l'affichage.

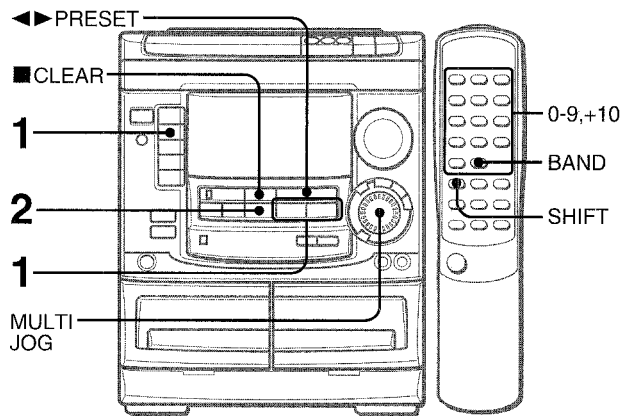


Les parasites sont réduits, mais la réception est monophonique. Pour rétablir la réception stéréophonique, appuyer sur les touches pour faire disparaître "MONO".

Pour changer l'intervalle d'accord AM

Le réglage par défaut de l'intervalle d'accord AM est de 10 kHz/pas. Si on utilise cet appareil dans un endroit où le système d'allocation de fréquences est de 9 kHz/pas, changer l'intervalle d'accord. Appuyer sur POWER tout en appuyant sur TUNER BAND. Pour rétablir l'intervalle initial, procéder de la même manière.

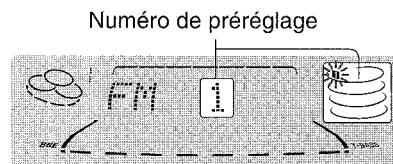
MEMORISATION DE STATIONS



L'appareil peut mémoriser un total de 32 stations. Quand une station est mémorisée, un numéro de pré-réglage lui est affecté. Pour accorder l'appareil directement sur une station mémorisée, utiliser le numéro de pré-réglage correspondant.

1 Appuyer sur TUNER BAND pour sélectionner une gamme, puis appuyer sur ◀◀ DOWN ou ▶▶ UP pour sélectionner une station.

2 Appuyer sur ■ SET pour mémoriser la station. Un numéro de pré-réglage est affecté à une station à partir de 1 dans l'ordre consécutif pour chaque gamme.



3 Répéter les étapes 1 et 2.

La station suivante ne sera pas mémorisée si un total de 32 stations ont été mémorisées pour toutes les gammes.

ACCORD SUR UNE STATION MEMORISEE

Utiliser la télécommande pour sélectionner le numéro de pré-réglage directement.

1 Appuyer sur BAND tout en appuyant sur SHIFT pour sélectionner une gamme.

2 A l'aide des touches numériques 0-9 et +10, sélectionner un numéro de pré-réglage.

Exemple:
 Pour sélectionner le numéro de pré-réglage 20, appuyer sur +10, +10 et 0.
 Pour sélectionner le numéro de pré-réglage 15, appuyer sur +10 et 5.

Sélection d'un numéro de pré-réglage sur l'appareil principal

Appuyer sur TUNER BAND pour sélectionner une gamme. Ensuite, appuyer sur ◀◀ PRESET à plusieurs reprises ou tourner MULTI JOG.

A chaque pression sur ◀◀ PRESET, le numéro de pré-réglage suivant le plus proche est sélectionné.

Suppression d'une station mémorisée

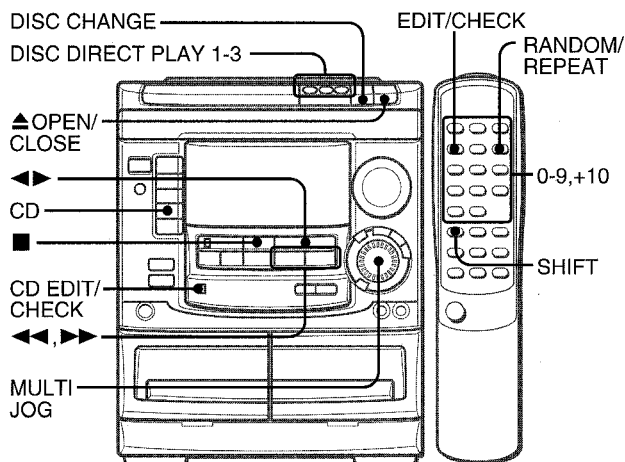
Sélectionner le numéro de pré-réglage de la station à supprimer. Ensuite, appuyer sur ■ CLEAR puis appuyer sur ■ SET dans les quatre secondes.

Les numéros de pré-réglage suivants de toutes les autres stations de la gamme sont aussi diminués d'une unité.

REMARQUE

Après le changement de l'intervalle d'accord AM, toutes les stations mémorisées sont effacées. Il faut mémoriser de nouveau ces stations.

OPERATIONS DE BASE



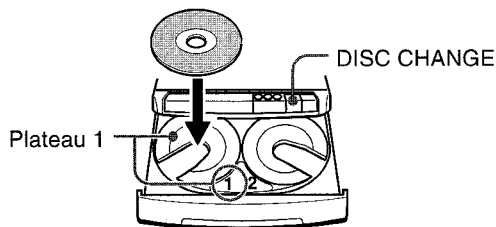
MISE EN PLACE DE DISQUES

Appuyer sur **CD**, puis appuyer sur **▲ OPEN/CLOSE** pour ouvrir le compartiment à disques. Mettre le(s) disque(s) en place avec l'étiquette en haut.

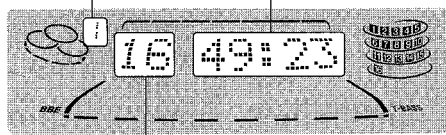
Pour lire un ou deux disques, mettre les disques sur les plateaux 1 et 2.

Pour lire trois disques, appuyer sur **DISC CHANGE** pour faire tourner les plateaux après avoir mis deux disques en place. Mettre en place le troisième disque sur le plateau 3.

Fermer le compartiment à disques en appuyant sur **▲ OPEN/CLOSE**.



Numéro de plateau du disque à lire Temps de lecture total



Nombre total de plages

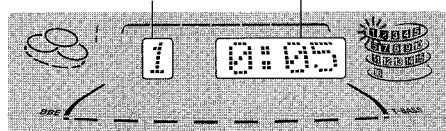
LECTURE DE DISQUES

Mettre des disques en place.

Pour lire tous les disques situés dans le compartiment, appuyer sur **◀▶**.

La lecture commence par le disque du plateau 1.

Numéro de la plage en cours de lecture Temps de lecture écoulé



Pour lire un disque seulement, appuyer sur une des touches **DISC DIRECT PLAY 1-3**.

Le disque sélectionné est lu une fois.

Pour arrêter la lecture, appuyer sur **■**.

Pour mettre la lecture en pause, appuyer sur **||**. Pour reprendre la lecture, appuyer de nouveau sur cette touche.

Pour rechercher un point particulier pendant la lecture, tenir **◀◀** ou **▶▶** enfoncée jusqu'à ce que le point souhaité soit atteint.

Pour passer au début d'une plage pendant la lecture, appuyer sur **◀◀** ou **▶▶** à plusieurs reprises ou tourner **MULTI JOG**.

Pour enlever des disques, appuyer sur **▲ OPEN/CLOSE**.

Pour démarrer la lecture quand l'alimentation est coupée (fonction de lecture directe)

Appuyer sur **CD**. L'appareil est mis sous tension et la lecture du (des) disque(s) en place démarre.

Quand on appuie sur **▲ OPEN/CLOSE**, l'appareil est aussi mis sous tension et le compartiment à disques est ouvert.

Pour vérifier le temps restant

Pendant la lecture, appuyer sur **EDIT/CHECK** de la télécommande tout en appuyant sur **SHIFT**. Le temps restant jusqu'à ce que toutes les plages soient lues est affiché. Pour rétablir l'affichage du temps de lecture, répéter cette opération.

** On peut aussi utiliser **CD EDIT/CHECK** de l'appareil à la place de **EDIT CHECK** de la télécommande.*

Sélection d'une plage avec la télécommande

1 Appuyer sur une des touches **DISC DIRECT PLAY 1-3** pour sélectionner un disque.

2 A l'aide des touches numériques **0-9** et **+10**, sélectionner une plage.

Exemple:

Pour sélectionner la vingt-cinquième plage, appuyer sur **+10**, **+10** et **5**.

Pour sélectionner la dixième plage, appuyer sur **+10** et **0**.

La lecture démarre à la plage sélectionnée et continue jusqu'à la fin du disque.

Changement de disques pendant la lecture

Pendant qu'un disque est en lecture, on peut remplacer les autres disques sans interrompre la lecture.

1 Appuyer sur **DISC CHANGE**.

2 Enlever les disques et mettre d'autres disques en place.

3 Appuyer sur **▲ OPEN/CLOSE** pour fermer le compartiment à disques.

REMARQUE

- Pour mettre un disque de 8 cm en place, le poser dans le renforcement circulaire du plateau.

- Ne pas mettre plus d'un disque compact sur un plateau.

- Ne pas incliner l'appareil avec des disques en place. Cela pourrait provoquer des pannes.

LECTURE ALEATOIRE/REPETEE

Utiliser la télécommande.

Lecture aléatoire

Toutes les plages du disque sélectionné ou tous les disques peuvent être lus dans un ordre aléatoire.


Lecture répétée


Un seul disque ou tous les disques peuvent être lus à plusieurs reprises.

Appuyer sur RANDOM/REPEAT tout en appuyant sur SHIFT.


A chaque pression sur ces touches, la fonction est sélectionnée de manière cyclique.

Lecture aléatoire — RANDOM s'allume sur l'affichage.

Lecture répétée —  s'allume sur l'affichage.

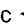
Lecture aléatoire/répétée — RANDOM et  s'allument sur l'affichage.

Annulation — RANDOM et  disparaissent de l'affichage.

Pour lire tous les disques, appuyer sur  pour démarrer la lecture.

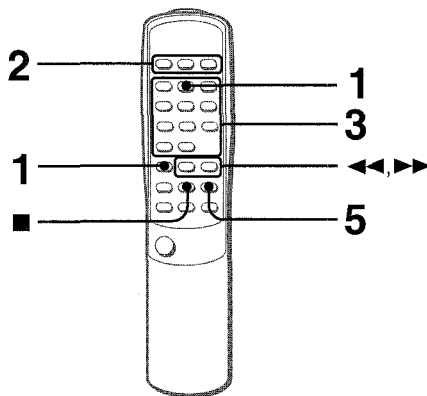
Pour lire un seul disque, appuyer sur une des touches DISC DIRECT PLAY 1-3 pour démarrer la lecture.

REMARQUE

Pendant la lecture aléatoire, il est impossible de sauter à la plage précédemment lue avec .

LECTURE PROGRAMMEE

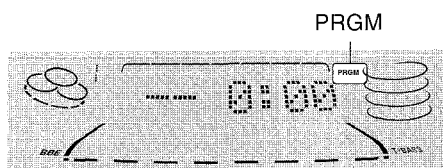
On peut programmer un maximum de 30 plages de n'importe lequel des disques en place.



Utiliser la télécommande.

1 Appuyer deux fois sur PRGM tout en appuyant sur SHIFT dans le mode arrêt.

"PRGM" apparaît.



- Quand on appuie une fois sur PRGM à l'étape 1, l'appareil passe au PROGRAMME DE KARAOKE (voir page 17).

2 Appuyer sur une des touches DISC DIRECT PLAY 1-3 pour sélectionner un disque.

Passer à l'étape suivante quand le plateau arrête de tourner.

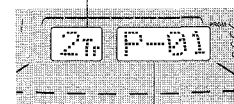
3 A l'aide des touches numériques 0-9 et +10, programmer une plage.

Exemple:

Pour sélectionner la vingt-cinquième plage, appuyer sur +10, +10 et 5.

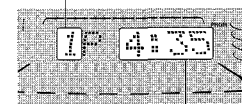
Pour sélectionner la dixième plage, appuyer sur +10 et 0

Numéro de la plage sélectionnée



Numéro de programme

Nombre total de plages sélectionnées


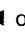


Temps de lecture total des plages sélectionnées

4 Répéter les étapes 2 et 3 pour programmer d'autres plages.

5 Appuyer sur pour démarrer la lecture.

Pour contrôler le programme

A chaque pression sur  ou  en mode arrêt, un numéro de disque, un numéro de plage et un numéro de programme sont affichés.

Pour effacer le programme

Appuyer sur  CLEAR dans le mode arrêt.

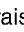
Pour ajouter des plages au programme

Répéter les étapes 2 et 3 dans le mode arrêt. La plage sera programmée à la suite de la dernière plage.

Pour changer les plages programmées

Effacer le programme puis répéter toutes les étapes.

Pour lire les plages programmées à plusieurs reprises

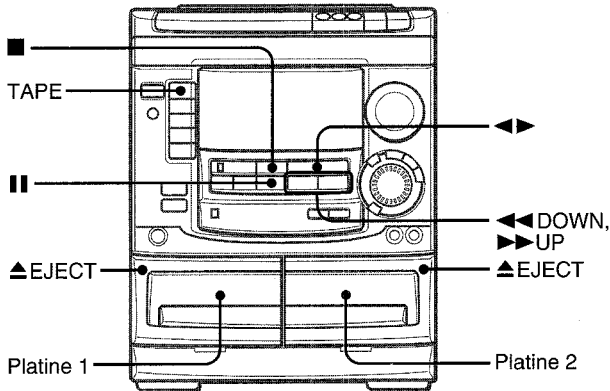
Après la programmation des plages, appuyer sur RANDOM/REPEAT à plusieurs reprises jusqu'à ce que  apparaisse sur l'affichage.

REMARQUE

Pendant la lecture programmée, la lecture aléatoire, le contrôle du temps restant et la sélection d'un disque ou d'une plage sont impossibles.

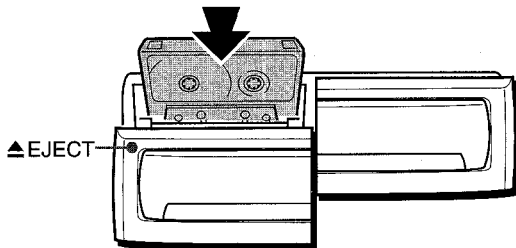
LECTURE DE CASSETTES

OPERATIONS DE BASE



Utiliser seulement des cassettes de type I (normales).

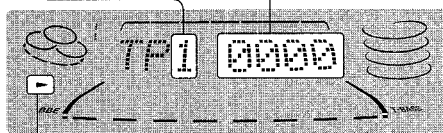
1 Appuyer sur TAPE puis appuyer sur ▲ EJECT pour ouvrir le porte-cassette.



Insérer une cassette avec le côté exposé du ruban magnétique en bas. Pousser le porte-cassette pour le fermer.

2 Appuyer sur ◀▶ pour démarrer la lecture.

Numéro de la platine sélectionnée Le compteur indique la durée de défilement de la bande.



Indicateur de face lue

▶: La face avant (orientée vers l'avant) est lue.
◀: La face arrière (orientée vers l'arrière) est lue.

Pour sélectionner une platine de lecture

Quand il y a une cassette dans chacune des deux platines, appuyer d'abord sur **TAPE** pour sélectionner une platine. Le numéro de la platine sélectionnée est affiché.

Pour arrêter la lecture, appuyer sur ■.

Pour mettre la lecture en pause (platine 2 seulement), appuyer sur ■■. Pour reprendre la lecture, appuyer de nouveau sur cette touche.

Pour changer la face lue (platine 1 seulement), appuyer sur ◀▶ pendant la lecture ou le mode pause.

Pour obtenir une avance rapide ou un rebobinage, appuyer sur ◀◀ ou ▶▶. Ensuite, appuyer sur ■ pour arrêter le défilement.

Pour démarrer la lecture quand l'alimentation est coupée (fonction de lecture directe)

Appuyer sur **TAPE**. L'appareil est mis sous tension et la lecture de la cassette en place commence.

Pour mettre le compteur à 0000

Appuyer sur ■ **CLEAR** dans le mode arrêt.

Le compteur est aussi mis à 0000 quand le porte-cassette est ouvert.

Quand il y a une cassette dans chacune des deux platines

Une fois que la lecture des deux faces (avant et arrière) de la cassette de la platine 1 est terminée, la lecture de la cassette de la platine 2 démarre sans interruption et se poursuit jusqu'à la fin de la face avant de cette cassette. (Lecture continue)

SENSEUR DE MUSIQUE (platine 1 seulement)

S'il y a un blanc de quatre secondes ou plus entre les plages, on peut retrouver facilement le début de la plage courante ou suivante pendant la lecture.

Appuyer sur ◀◀ ou ▶▶ pendant la lecture en vérifiant l'indicateur de face lue (◀ ou ▶) affiché.

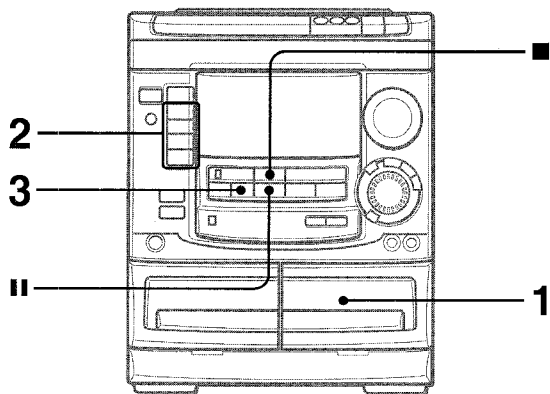
Par exemple, quand on appuie sur ▶▶ tandis que ▶ est affiché, la lecture de la plage suivante démarre après la recherche.

La fonction senseur de musique risque de ne pas pouvoir détecter les plages dans les cas suivants:

- blancs de moins de quatre secondes entre les plages.
- blancs présentant des parasites.
- longs passages à bas niveau.
- enregistrements à bas niveau.

ENREGISTREMENT DE BASE

Cette partie explique comment enregistrer à partir du tuner, du lecteur de disques compacts ou d'un appareil externe.

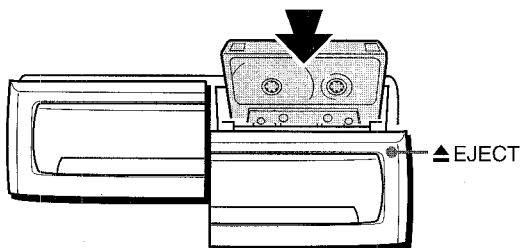


Préparation

- Utiliser seulement des cassettes de type I (normales).
- Bobiner la cassette jusqu'à l'endroit où on veut démarrer l'enregistrement.
- Remarquer que l'enregistrement n'est fait que sur une face de la cassette.

1 Insérer la cassette à enregistrer dans la platine

Insérer la cassette avec la face à enregistrer en premier orientée vers l'extérieur de l'appareil.



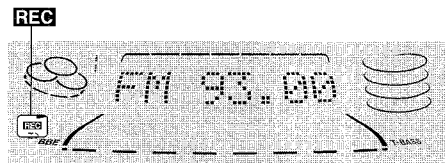
2 Appuyer sur une des touches de fonction (CD, TUNER, VIDEO/AUX ou MD) et préparer la source à partir de laquelle on veut enregistrer.

Pour enregistrer à partir d'un disque compact, appuyer sur CD et mettre le(s) disque(s) en place.

Pour enregistrer une émission de radio, appuyer sur TUNER et accorder sur une station.

Pour enregistrer à partir d'une source connectée, appuyer sur VIDEO/AUX ou MD.

3 Appuyer sur ● REC/REC MUTE pour démarrer l'enregistrement.



Quand la fonction sélectionnée est CD, la lecture et l'enregistrement démarrent simultanément.

Pour l'enregistrement à partir d'une source connectée, démarrer la lecture sur cette source.

Pour arrêter l'enregistrement, appuyer sur ■.

Pour mettre l'enregistrement en pause, appuyer sur II.

(Applicable quand la source est TUNER, VIDEO/AUX ou MD.)

Pour reprendre l'enregistrement, appuyer de nouveau sur cette touche.

Réglage du son pendant l'enregistrement

On peut faire varier librement le volume de sortie et la tonalité (BBE excepté) des enceintes ou du casque sans affecter le niveau de l'enregistrement.

INSERTION D'ESPACES BLANCS

L'insertion d'espaces blancs de quatre secondes permet l'utilisation de la fonction senseur de musique. (Applicable quand la source est TUNER, VIDEO/AUX ou MD.)

1 Appuyer sur ● REC/REC MUTE pendant l'enregistrement ou pendant le mode pause d'enregistrement.

REC clignote sur l'affichage pendant quatre secondes est un espace blanc de quatre secondes est inséré. Ensuite, la platine passe au mode pause d'enregistrement.

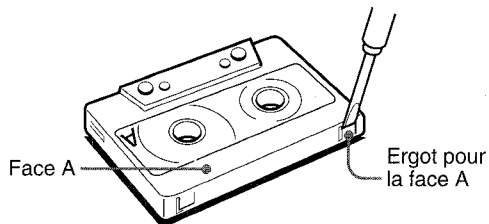
2 Appuyer sur II pour reprendre l'enregistrement.

Pour insérer un espace blanc de moins de quatre secondes, appuyer de nouveau sur ● REC/REC MUTE tandis que **REC** clignote.

Pour insérer des espaces blancs de plus de quatre secondes, appuyer de nouveau sur ● REC/REC MUTE une fois que la platine passe au mode pause d'enregistrement. A chaque pression sur cette touche, un espace blanc de quatre secondes est ajouté.

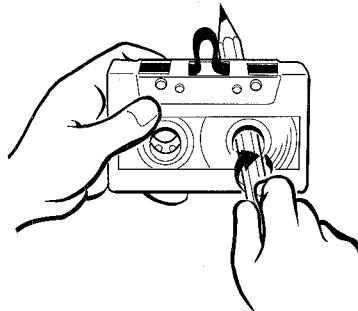
Au sujet des cassettes

- **Pour éviter un effacement accidentel**, utiliser un tournevis ou tout autre objet effilé pour casser les ergots en plastique de la cassette après l'enregistrement.



Pour enregistrer de nouveau sur une cassette, recouvrir les cavités des ergots avec du ruban adhésif ou autre.

- **Le ruban magnétique des cassettes de 120 minutes ou plus** est extrêmement fin et se déforme et s'endommage facilement. Ces cassettes ne sont pas recommandées.
- **Tendre le ruban magnétique** avec un crayon ou un objet similaire avant d'utiliser une cassette. Un ruban magnétique détendu peut se rompre ou s'em mêler dans le mécanisme.



Pour effacer un enregistrement

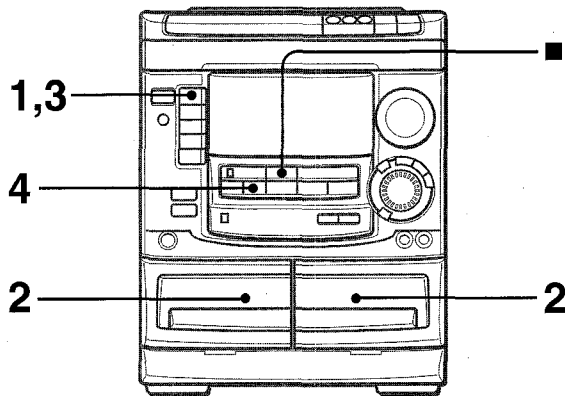
S'assurer qu'aucun microphone n'est branché à cet appareil.

1 Insérer la cassette à effacer dans la platine 2 et appuyer sur TAPE DECK 1/2 pour afficher "TP 2".

2 Bobiner la cassette jusqu'à l'endroit où on veut démarrer l'effacement.

3 Appuyer sur ● REC/REC MUTE pour démarrer l'effacement.

DUPLICATION MANUELLE D'UNE CASSETTE



REMARQUE

- Bobiner la cassette jusqu'à l'endroit où on veut démarrer l'enregistrement.
- Remarquer que l'enregistrement ne sera fait que sur une face de la cassette.

1 Appuyer sur TAPE.

2 Insérer la cassette originale dans la platine 1 et la cassette à enregistrer dans la platine 2.

Insérer chaque cassette avec la face à lire ou à enregistrer orientée vers l'extérieur de l'appareil.

3 Appuyer sur TAPE DECK 1/2 pour sélectionner la platine 1.

"TP 1" est affiché.

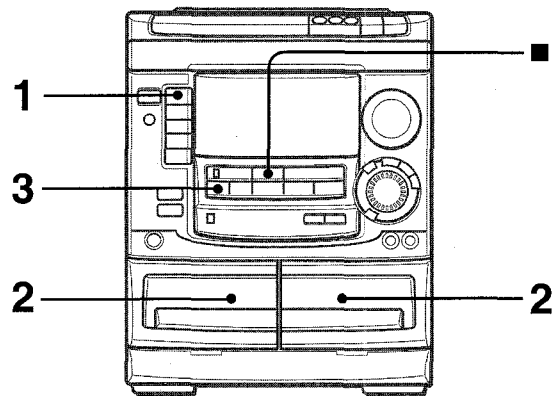
4 Appuyer sur ● REC/REC MUTE pour démarrer l'enregistrement.

La lecture et l'enregistrement démarrent simultanément.

Pour arrêter la duplication

Appuyer sur ■.

DUPLICATION DE LA TOTALITÉ D'UNE CASSETTE



Cette fonction permet de faire des copies exactes de la cassette originale.

REMARQUE

- La duplication ne démarre pas à un point situé au milieu d'une face.
- Remarquer que l'enregistrement ne sera fait que sur une face de la cassette.

1 Appuyer sur TAPE.

2 Insérer la cassette originale dans la platine 1 et la cassette à enregistrer dans la platine 2.

Insérer chaque cassette avec la face à lire ou à enregistrer orientée vers l'extérieur de l'appareil.

3 Appuyer sur SYNCHRO DUBBING pour démarrer l'enregistrement.

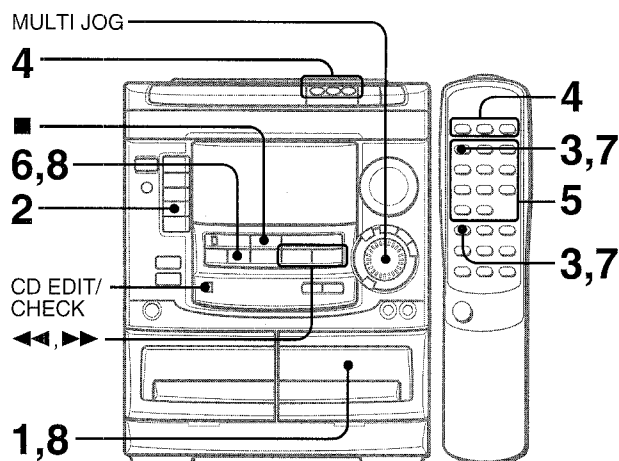


Les cassettes sont reboinées jusqu'au début de leurs faces avant, puis l'enregistrement démarre.

Pour arrêter la duplication

Appuyer sur ■.

ENREGISTREMENT AVEC MONTAGE ET CALCUL DU TEMPS



La fonction enregistrement avec montage et calcul du temps permet d'enregistrer à partir de disques compacts sans se préoccuper de la durée de la cassette et des durées des plages. Quand on met un disque compact en place, l'appareil calcule automatiquement la durée totale des plages. Si nécessaire, l'ordre des plages est changé de manière qu'aucune plage ne soit tronquée.

(AI: Intelligence Artificielle)

REMARQUE

L'enregistrement avec montage et calcul du temps ne démarrera pas à un point situé au milieu d'une face. La cassette doit être enregistrée à partir du début d'une de ses faces.

1 Insérer la cassette dans la platine 2.

Insérer la cassette avec la face à enregistrer en premier orientée vers l'extérieur de l'appareil.

2 Appuyer sur CD et mettre le(s) disque(s) en place.

3 Appuyer une fois sur EDIT/CHECK tout en appuyant sur SHIFT de la télécommande.

"EDIT" apparaît.



- Si "PRGM" est affiché, appuyer de nouveau sur EDIT/CHECK tout en appuyant sur SHIFT.

4 Appuyer sur une des touches DISC DIRECT PLAY 1-3 pour sélectionner un disque.

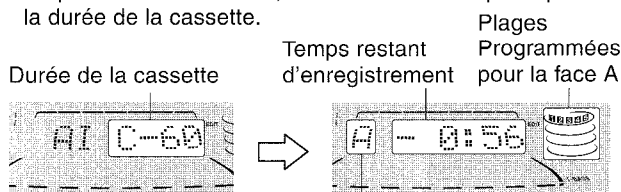
5 A l'aide des touches numériques 0-9 de la télécommande, spécifier la durée de la cassette.

On peut spécifier une durée de 10 à 99 minutes.

Exemple: Quand on utilise une cassette de 60 minutes, appuyer sur 6 et 0.

En quelques secondes, les plages à enregistrer sur chaque face de la cassette sont déterminées.

- On peut aussi utiliser ◀▶ ou MULTI JOG pour spécifier la durée de la cassette.



Face de la cassette
A: Face du premier enregistrement
B: Face du deuxième enregistrement

6 Appuyer sur ● REC/REC MUTE pour démarrer l'enregistrement sur la première face.

La cassette est rebobinée jusqu'au début de la première face, l'amorce est lue pendant dix secondes, puis l'enregistrement démarre. Une fois que l'enregistrement de la dernière plage programmée pour la face A est terminé, la platine 2 se met en mode arrêt d'enregistrement. Passer alors à l'étape 7.

7 Appuyer sur EDIT/CHECK tout en appuyant sur SHIFT de la télécommande pour afficher le programme du deuxième enregistrement.

"B" est affiché.

8 Retourner la cassette de la platine 2 puis appuyer sur ● REC/REC MUTE pour démarrer l'enregistrement sur la deuxième face.

Pour arrêter l'enregistrement

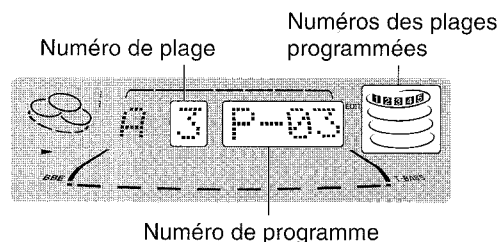
Appuyer sur ■. L'enregistrement de la cassette et la lecture du disque compact s'arrêtent simultanément.

Pour effacer le programme du montage

Appuyer deux fois sur ■ CLEAR de manière que "EDIT" disparaisse de l'affichage.

Pour contrôler l'ordre des numéros des plages programmées

Avant l'enregistrement, appuyer sur EDIT/CHECK tout en appuyant sur SHIFT de la télécommande pour sélectionner la face A ou B, puis appuyer sur ◀▶ à plusieurs reprises.



Pour ajouter des plages d'autres disques au programme du montage

S'il reste du temps sur la cassette après l'étape 5, on peut ajouter des plages des autres disques situés dans le compartiment.

1 Appuyer sur EDIT/CHECK tout en appuyant sur SHIFT de la télécommande pour sélectionner la face A ou B.

2 Appuyer sur une des touches DISC DIRECT PLAY 1-3 pour sélectionner un disque.

3 Sélectionner les plages à l'aide des touches numériques de la télécommande.

Une plage dont la durée de lecture est supérieure au temps restant ne peut pas être programmée.

4 Pour ajouter d'autres plages, répéter les étapes 2 et 3.

Durée des cassettes et temps du montage

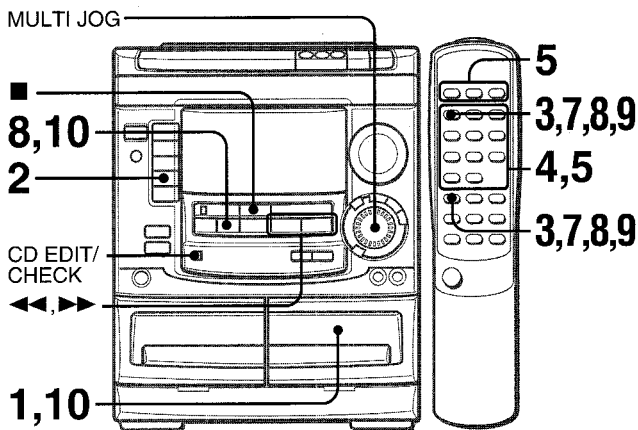
La durée d'une cassette est généralement supérieure à celle indiquée sur l'étiquette. Cet appareil peut programmer des plages pour utiliser le temps en excès. Quand la durée totale d'enregistrement est légèrement supérieure à la durée spécifiée pour la cassette après le montage, l'affichage indique le temps en excès (sans signe moins) au lieu du temps restant (avec le signe moins).

REMARQUE

La fonction enregistrement avec montage et calcul du temps ne peut pas être utilisée avec les disques contenant 31 plages ou plus.

* On peut aussi utiliser CD EDIT/CHECK de l'appareil à la place de EDIT/CHECK de la télécommande.

ENREGISTREMENT AVEC MONTAGE PROGRAMME



La fonction enregistrement avec montage programmé permet de programmer les plages tout en contrôlant le temps restant sur chaque face de la cassette.

REMARQUE

L'enregistrement avec montage programmé ne démarrera pas à un point situé au milieu d'une face. La cassette doit être enregistrée à partir du début d'une de ses faces.

1 Insérer la cassette dans la platine 2.

Insérer la cassette avec la face à enregistrer en premier orientée vers l'extérieur de l'appareil.

2 Appuyer sur CD et mettre le(s) disque(s) en place.

3 Appuyer deux fois sur EDIT/CHECK tout en appuyant sur SHIFT de la télécommande.

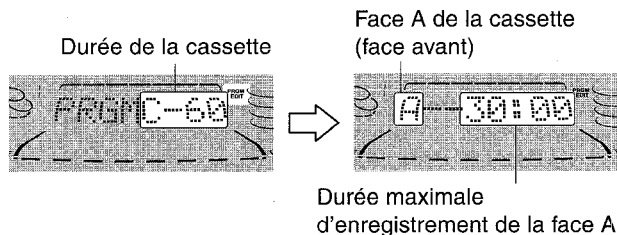
"EDIT" et "PRGM" apparaissent.

- Si "AI" est affiché, appuyer de nouveau sur EDIT/CHECK tout en appuyant sur SHIFT.

4 A l'aide des touches numériques 0-9 de la télécommande, spécifier la durée de la cassette.

On peut spécifier une durée de 10 à 99 minutes.

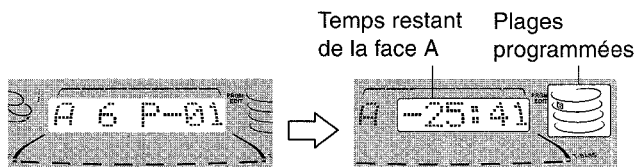
- On peut aussi utiliser ◀▶ ou MULTI JOG pour spécifier la durée de la cassette.



5 Appuyer sur une des touches DISC DIRECT PLAY 1-3 pour sélectionner un disque.

Ensuite, programmer une plage à l'aide des touches numériques 0-9 et +10 de la télécommande.

Exemple: pour sélectionner la dixième plage du disque 2, appuyer sur DISC DIRECT PLAY 2, puis appuyer sur +10 et 0.



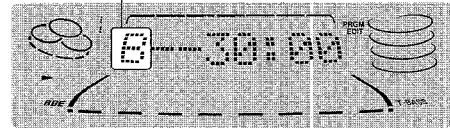
6 Répéter l'étape 5 pour le reste des plages de la face A.

Une plage dont la durée de lecture est supérieure au temps restant ne peut pas être programmée.

7 Appuyer sur EDIT/CHECK tout en appuyant sur SHIFT de la télécommande pour sélectionner la face B, puis programmer les plages pour cette face.

Après s'être assuré que "B" est affiché, répéter l'étape 5.

Face B de la cassette (face arrière)



8 Appuyer sur EDIT/CHECK tout en appuyant sur SHIFT pour sélectionner la face A, puis appuyer sur ● REC/REC MUTE pour démarrer l'enregistrement.

La lecture de disque compact et l'enregistrement des plages montées pour la première face démarrent simultanément. Une fois que la dernière plage programmée pour la face A est terminée, la platine 2 se met en mode arrêt d'enregistrement. Passer alors à l'étape 9.

9 Appuyer sur EDIT/CHECK tout en appuyant sur SHIFT de la télécommande pour l'enregistrement de la deuxième face

"B" est affiché.

10 Retourner la cassette de la platine 2 puis appuyer sur ● REC/REC MUTE pour démarrer l'enregistrement.

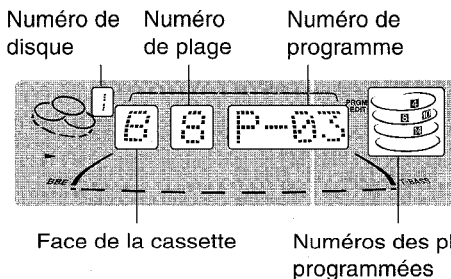
L'enregistrement démarre.

Pour arrêter l'enregistrement

Appuyer sur ■. L'enregistrement de la cassette et la lecture du disque compact s'arrêtent simultanément.

Pour contrôler l'ordre des numéros des plages programmées

Avant l'enregistrement, appuyer sur EDIT/CHECK tout en appuyant sur SHIFT de la télécommande pour sélectionner la face A ou B, puis appuyer sur ◀▶ à plusieurs reprises.



Pour changer le programme de chaque face

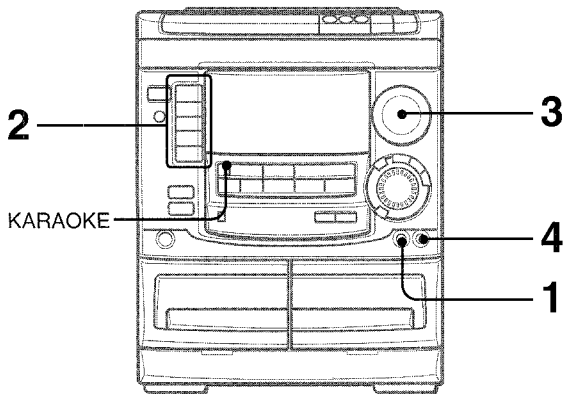
Appuyer sur EDIT/CHECK tout en appuyant sur SHIFT de la télécommande pour sélectionner la face A ou B, puis appuyer sur ■ CLEAR pour effacer le programme de la face sélectionnée. Ensuite, reprogrammer des plages.

Pour effacer le programme du montage

Appuyer deux fois sur ■ CLEAR de manière que "EDIT" disparaisse de l'affichage.

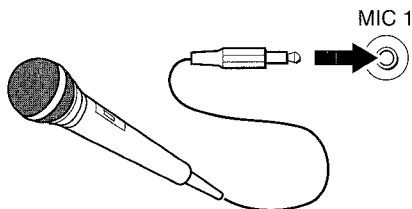
* On peut aussi utiliser CD EDIT/CHECK de l'appareil à la place de EDIT CHECK de la télécommande.

MIXAGE AVEC MICROPHONE



Pour chanter avec accompagnement par une source musicale, on peut brancher un microphone (pas fourni) à cet appareil. Utiliser un microphone à mini-fiche (3,5 mm ø).

1 Brancher le microphone à la prise MIC.



2 Appuyer sur une des touches fonction pour sélectionner la source à mixer, et mettre cette source en lecture.

3 Régler le volume et la tonalité de la source.

4 Tourner la commande MIC VOLUME pour régler le volume de microphone.

Pour enregistrer le son de microphone mixé avec la source sonore

Suivre la procédure d'enregistrement à partir de la source (voir page 12).

SYNCHRO DUBBING ne peut pas être utilisée pour l'enregistrement de mixage.

Quand on n'utilise pas le microphone

Régler le volume de microphone sur **MIN** et débrancher le microphone de la prise **MIC**.

REMARQUE

- Si un microphone est placé trop près d'une enceinte, un bruit de hurlement risque de se produire. Le cas échéant, éloigner le microphone de l'enceinte ou baisser le volume de microphone.
- Si le son du microphone est extrêmement fort, il peut être déformé. Le cas échéant, baisser le volume de microphone.

Microphone recommandé

L'utilisation d'un microphone de type unidirectionnel est recommandée pour éviter le hurlement. Pour plus de détails, contacter le distributeur Aiwa local.

FONCTIONS VOCAL FADER/MULTIPLEX

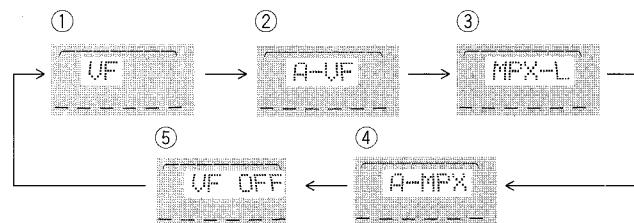
Cet appareil permet l'emploi de disques ou de cassettes comme sources Karaoke.

Utiliser la fonction Vocal Fader pour des disques ou cassettes ordinaires.

Utiliser la fonction Multiplex pour des disques ou cassettes multi audio.

Appuyer sur KARAOKE à plusieurs reprises pour sélectionner la fonction Vocal Fader ou Multiplex.

A chaque pression sur **KARAOKE**, une de ces fonctions est sélectionnée de manière cyclique.



- ① **Vocal Fader**
La partie vocale devient plus douce que l'accompagnement.
- ② **Auto Vocal Fader**
La partie vocale devient plus douce uniquement pendant qu'il y a une entrée audio par un microphone.
- ③ **Multiplex**
Le son du canal gauche est audible par les deux enceintes et le son du canal droit est atténué
Pour écouter le son du canal droit, voir ci-dessous.
- ④ **Auto Multiplex**
Le son du canal gauche est audible par les deux enceintes et le son du canal droit est atténué uniquement pendant qu'il y a une entrée audio par un microphone.
Pour écouter le son du canal droit, voir ci-dessous.
- ⑤ **Annulation**

Pour changer le réglage du retard de la fonction Auto Vocal Fader ou Auto Multiplex

La partie vocale initiale atténuée peut être rétablie plus rapidement au niveau normal.

Quand la fonction Auto Vocal Fader ou Auto Multiplex est sélectionnée, "A-VF" ou "A-MPX" est affiché pendant trois secondes puis l'affichage passe au nom de la fonction sélectionnée. Une fois que le nom de la fonction sélectionnée est affiché, tenir la touche KARAOKE enfoncée jusqu'à ce que "FAST" soit affiché.

Pour revenir au réglage initial, sélectionner SLOW.

Quand l'alimentation est coupée, SLOW est sélectionné.

Pour changer le canal audible de la fonction Multiplex

Quand la fonction Multiplex est sélectionnée, "MPX-L" est affiché pendant trois secondes puis l'affichage passe au nom de la fonction sélectionnée. Une fois que le nom de la fonction sélectionnée est affiché, tenir la touche KARAOKE enfoncée jusqu'à ce que "MPX-R" soit affiché.

Pour revenir au réglage initial, sélectionner MPX-L.

Quand l'alimentation est coupée, MPX-L est sélectionné.

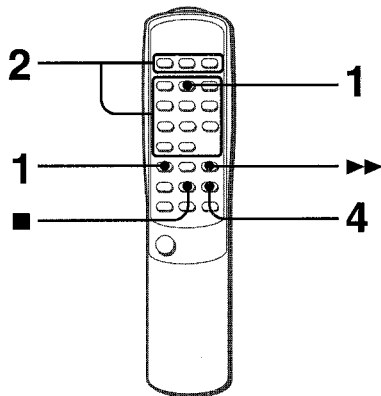
REMARQUE

- Les fonctions Karaoke risquent de ne pas fonctionner correctement avec les disques compacts ou cassettes suivants.
 - Disques ou cassettes à enregistrement mono
 - Disques ou cassettes enregistrés avec de forts échos
 - Disques ou cassettes avec la partie vocale enregistrée sur la droite ou la gauche du spectre sonore
- Quand la fonction Karaoke est en service, le son est sorti en monophonie.
- Quand la fonction est changée, la fonction Karaoke est annulée.

KARAOKE ENREGISTREMENT

F

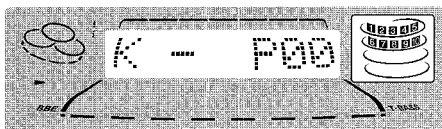
PROGRAMME DE KARAOKE



Avant ou pendant la lecture de disque compact, on peut réserver jusqu'à quinze plages à lire après la plage courante. Chaque réservation est effacée quand sa lecture est terminée.

Utiliser la télécommande.

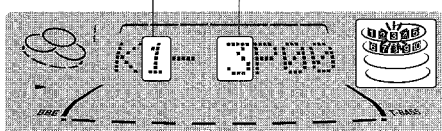
1 Appuyer une fois sur PRGM tout en appuyant sur SHIFT.



2 Appuyer sur une des touches DISC DIRECT PLAY 1-3 pour sélectionner un disque.

Ensuite, programmer une plage à l'aide des touches numériques et +10.

Numéro de disque réservé Numéro de plage réservée

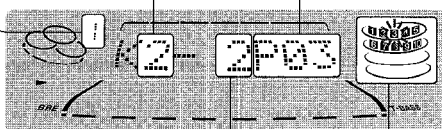


3 Répéter l'étape 2 pour réserver d'autres plages.

4 Appuyer sur ◀▶ pour démarrer la lecture.

Une fois qu'une plage est lue, elle est effacée du programme.

Disque en cours de lecture Numéro de disque de la dernière réservation Nombre de plages réservées restantes



Numéro de plage de la dernière réservation Le numéro de la plage en cours de lecture clignote

Pour ajouter une réservation pendant la lecture

Répéter l'étape 2.

Pour contrôler les plages réservées

Appuyer à plusieurs reprises sur **CD EDIT/CHECK** de l'appareil principal ou sur **EDIT CHECK** tout en appuyant sur **SHIFT** de la télécommande. A chaque pression sur cette touche, un numéro de disque et un numéro de plage sont affichés dans l'ordre réservé.

Pour arrêter la lecture

Appuyer sur ■.

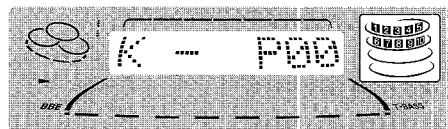
Quand on appuie sur ◀▶, la lecture redémarre à partir de la dernière plage.

Pour sauter une plage en cours de lecture

Appuyer sur ▶▶. La plage sautée est effacée du programme.

Pour effacer toutes les réservations

Appuyer sur ▶▶ à plusieurs reprises jusqu'à ce que "K- P00" soit affiché.

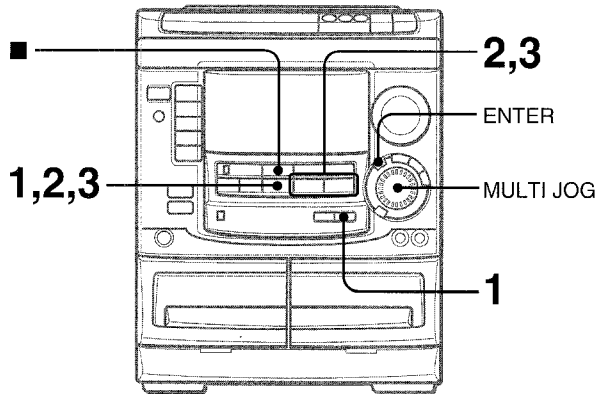


Pour annuler le programme de Karaoke, appuyer une fois de plus sur cette touche. L'affichage repasse à celui de la lecture de disque compact.

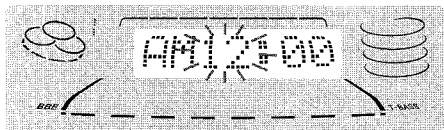
REMARQUE

- Si le numéro de plage réservé n'existe pas sur le disque sélectionné, l'appareil arrête la lecture et l'affichage clignote. Dans ce cas, appuyer sur ▶▶ pour sauter l'erreur. Ensuite, appuyer sur ◀▶ pour démarrer la lecture à la plage réservée suivante.
- Si on appuie plusieurs fois sur **PRGM** à l'étape 1, "PRGM" est affiché et l'appareil passe au mode lecture programmée de disque compact (voir page 10). Pour annuler la lecture programmée, appuyer sur ■ **CLEAR**.

REGLAGE DE L'HORLOGE



1 Appuyer sur CLOCK puis appuyer sur ■ SET dans les quatre secondes.



Quand on utilise la télécommande

Appuyer sur **CLOCK** tout en appuyant sur **SHIFT**, puis appuyer sur **■ SET** dans les quatre secondes.

2 Appuyer sur ◀◀ DOWN ou ▶▶ UP pour spécifier les heures, puis appuyer sur ■ SET pour les régler.

Les heures arrêtent de clignoter et les minutes se mettent à clignoter.

3 Appuyer sur ◀◀ DOWN ou ▶▶ UP pour spécifier les minutes, puis appuyer sur ■ SET pour les régler.

Les minutes arrêtent de clignoter sur l'affichage et l'horloge démarre à 00 seconde.

Pour afficher l'heure courante

Appuyer sur **CLOCK**. L'heure est affichée pendant quatre secondes.

Toutefois, l'heure ne peut pas être affichée pendant l'enregistrement.

Pour passer au format de 24 heures

Appuyer sur **CLOCK** puis appuyer sur ■ dans les quatre secondes.

Pour revenir au format de 12 heures, procéder de la même manière.

Si l'affichage de l'horloge clignote

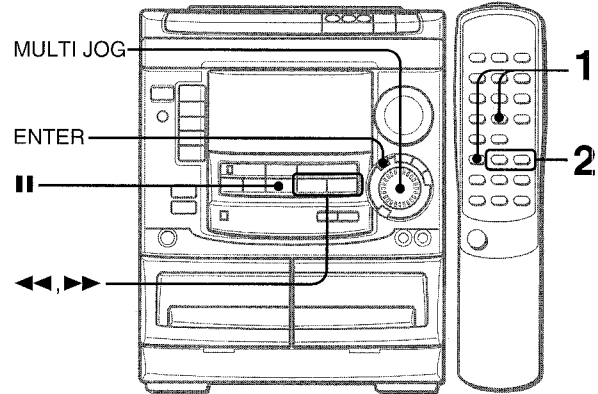
Ceci est dû à une interruption d'alimentation. L'heure courante doit être réglée de nouveau.

Si l'alimentation est interrompue pendant plus d'environ 24 heures, tous les réglages mémorisés après l'achat doivent être faits de nouveau.

* On peut aussi utiliser **ENTER** à la place de **■ SET**.

* On peut aussi utiliser **MULTI JOG** à la place de **◀◀** et **▶▶**.

REGLAGE DE LA MINUTERIE D'ARRET



La minuterie d'arrêt permet de mettre l'appareil hors tension automatiquement au bout d'un temps spécifié.

Utiliser la télécommande.

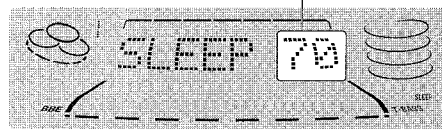
1 Appuyer sur SLEEP tout en appuyant sur SHIFT.



2 Dans les quatre secondes, appuyer sur ◀◀ ou ▶▶ pour spécifier le temps jusqu'à la mise hors tension.

A chaque pression sur la touche, le temps change entre 5 et 240 minutes par pas de 5 minutes.

Temps spécifié



Pour contrôler le temps restant jusqu'à la mise hors tension

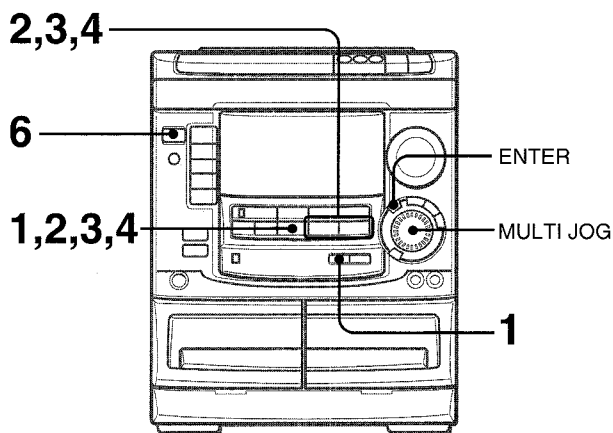
Appuyer une fois sur **SLEEP** tout en appuyant sur **SHIFT**. Le temps restant est affiché pendant quatre secondes.

Pour annuler la minuterie d'arrêt

Appuyer deux fois sur **SLEEP** tout en appuyant sur **SHIFT** de manière que "SLEEP OFF" apparaisse sur l'affichage.

* On peut aussi utiliser **MULTI JOG** à la place de **◀◀** et **▶▶**.

REGLAGE DE LA MINUTERIE



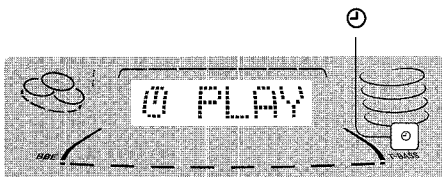
Avec la minuterie intégrée, l'appareil peut être mis sous tension chaque jour à l'heure spécifiée.

Préparation

S'assurer que l'horloge est réglée correctement.

- 1 Appuyer sur **TIMER** à plusieurs reprises pour afficher ☉, puis appuyer sur **|| SET** dans les six secondes.

☉ est affiché et les heures clignotent.



REMARQUE

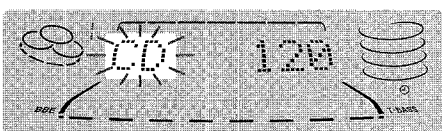
Si on n'appuie pas sur **|| SET** dans les six secondes, une autre opération peut démarrer.

- 2 Spécifier les heures en appuyant sur **◀ DOWN** ou **▶ UP**, puis appuyer sur **|| SET** pour les régler.
Procéder de la même manière pour spécifier et régler les minutes.

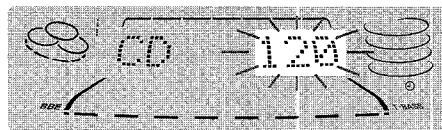


Une fois que l'heure est spécifiée, un des noms de source clignote sur l'affichage.

- 3 Appuyer sur **◀ DOWN** ou **▶ UP** pour sélectionner une source puis appuyer sur **|| SET**.
 - Si on appuie sur **TUNER (AM ou FM)**, la gamme ne peut pas être sélectionnée à cette étape.



- 4 Appuyer sur **◀ DOWN** ou **▶ UP** pour sélectionner la durée de la mise sous tension par la minuterie. Ensuite, appuyer sur **|| SET**.



La durée de la mise sous tension par la minuterie peut être réglée entre 5 et 240 minutes par pas de 5 minutes.

5 Préparer la source.

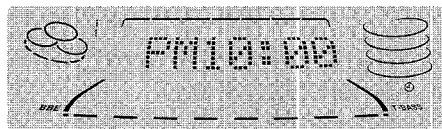
Pour écouter un disque compact, mettre le disque à lire en premier en place dans le plateau 1.

Pour écouter une cassette, la mettre en place dans la platine 1 ou 2.

Pour écouter la radio, l'accorder sur une station.

6 Après avoir réglé le volume et la tonalité, appuyer sur **POWER** pour mettre l'appareil hors tension.

☉ reste sur l'affichage une fois que l'alimentation est coupée (mode attente de minuterie).



Quand l'heure de la mise sous tension par la minuterie est atteinte, l'appareil est mis sous tension et la lecture commence sur la source sélectionnée.

Quand on coupe l'alimentation alors que le niveau du volume est réglé à 21 ou plus, ce niveau est automatiquement réglé à 20.

Pour contrôler l'heure et la source spécifiées

Appuyer sur **TIMER**. L'heure de la mise sous tension par la minuterie, le nom de la source sélectionnée et la durée de la mise sous tension par la minuterie sont affichés pendant quatre secondes.

Pour annuler provisoirement le mode attente de minuterie

Appuyer sur **TIMER** à plusieurs reprises jusqu'à ce que ☉ ou ☉REC disparaisse de l'affichage.

Pour rétablir le mode attente de minuterie, appuyer une ou deux fois sur **TIMER** pour afficher ☉ ou ☉REC.

Utilisation de l'appareil une fois que la minuterie est réglée

On peut utiliser l'appareil normalement après avoir réglé la minuterie.

Avant de couper l'alimentation, répéter l'étape 5 pour préparer la source, et régler le volume et la tonalité.

REMARQUE

- La lecture et l'enregistrement commandés par la minuterie ne se feront pas si l'appareil n'est pas mis hors tension.
- L'appareil connecté ne peut pas être mis sous et hors tension par la minuterie intégrée de l'appareil principal. Utiliser une minuterie externe.

ENREGISTREMENT COMMANDE PAR LA MINUTERIE

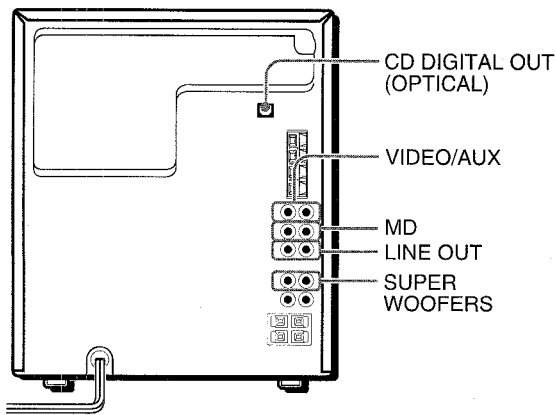
L'enregistrement commandé par la minuterie est applicable uniquement aux sources **TUNER** et **VIDEO/AUX** (avec une minuterie externe).

Appuyer sur **TIMER** à plusieurs reprises jusqu'à ce que ☉REC apparaisse, puis appuyer sur **|| SET** dans les six secondes. Effectuer les étapes de la partie "REGLAGE DE LA MINUTERIE" à partir de l'étape 2 et, après l'étape 5, insérer la cassette à enregistrer dans la platine 2.

* On peut aussi utiliser **ENTER** à la place de **|| SET**.

* On peut aussi utiliser **MULTI JOG** à la place de **◀** et **▶**.

CONNEXION D'UN APPAREIL OPTIONNEL



Pour plus de détails, se reporter au mode d'emploi de l'appareil connecté.

- Les cordons de raccordement ne sont pas fournis. Se procurer les cordons nécessaires.
- Pour les appareils optionnels disponibles, consulter le distributeur Aiwa local.

PRISES VIDEO/AUX, PRISES MD

Cet appareil peut recevoir des signaux sonores analogiques par ces prises.

Utiliser un câble à fiches phono RCA pour connecter un appareil audio (tourne-disque, lecteur de disque laser, lecteur de minidisque, magnéto, téléviseur, etc.). Connecter la fiche rouge à la prise **R** et la fiche blanche à la prise **L**.

Pour connecter un tourne-disque

Utiliser un tourne-disque Aiwa muni d'un amplificateur à égaliseur intégré.

PRISES LINE OUT

Cet appareil peut sortir les signaux sonores analogiques par ces prises.

Utiliser un câble à fiches phono RCA pour connecter un appareil audio muni de prises **LINE IN** (entrée analogique).

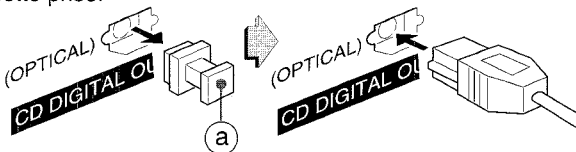
REMARQUE

Ne pas connecter un appareil aux bornes **LINE OUT** et aux bornes **VIDEO/AUX** simultanément. Cela générerait des parasites et provoquerait une panne.

PRISE CD DIGITAL OUT (OPTICAL)

Cet appareil peut sortir les signaux sonores numériques de disque compact par cette prise. Utiliser un câble optique pour connecter un appareil audio numérique (platine DAT, enregistreur de minidisque, etc.).

Enlever le capuchon antipoussière **a** de la prise **CD DIGITAL OUT (OPTICAL)**. Ensuite, connecter la fiche d'un câble optique à cette prise.

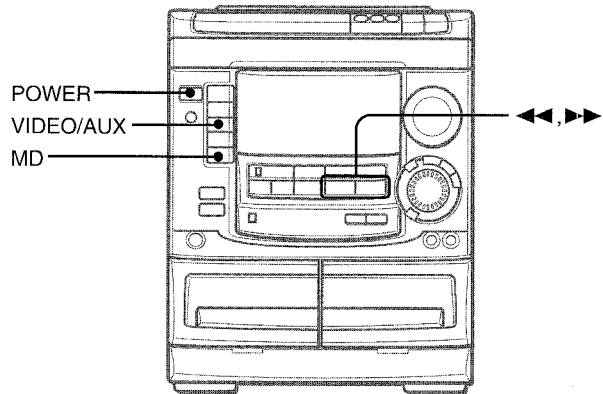


Quand la prise CD DIGITAL OUT (OPTICAL) n'est pas utilisée
Mettre en place le capuchon antipoussière fourni.

PRISES SUPER WOOFERS

Connecter un caisson de graves alimenté optionnel muni d'un amplificateur intégré à chacune de ces prises.

ECOUTE DE SOURCES EXTERNES



Pour utiliser l'appareil connecté aux prises VIDEO/AUX ou MD, procéder de la manière suivante.

1 Appuyer sur VIDEO/AUX ou MD.

Quand on veut utiliser un appareil connecté aux prises VIDEO/AUX: appuyer sur VIDEO/AUX.
Quand on veut utiliser un appareil connecté aux prises MD: appuyer sur MD.

2 Mettre l'appareil connecté en lecture.

Pour changer le nom de source sur l'affichage

Quand on appuie sur **VIDEO/AUX**, "VIDEO" est affiché initialement. On peut remplacer ce nom par "AUX" ou "TV". L'appareil étant sous tension, appuyer sur **POWER** tout en appuyant sur **VIDEO/AUX**. Répéter cette procédure pour sélectionner un des noms.

Pour régler le niveau sonore de la source externe

Si le niveau sonore de la source externe est beaucoup plus élevé ou beaucoup plus faible que celui des autres sources, le régler de la manière suivante.

- 1 Appuyer sur **VIDEO/AUX** ou **MD** et mettre l'appareil en lecture.
- 2 Appuyer sur **◀** ou **▶** de manière que le niveau sonore soit le même que celui des autres sources.

REMARQUE

Pendant l'enregistrement, le niveau sonore ne peut pas être réglé.

SOINS ET ENTRETIEN

Un entretien et des soins réguliers de l'appareil et des disques et cassettes sont nécessaires pour assurer un fonctionnement optimal.

Nettoyage du coffret

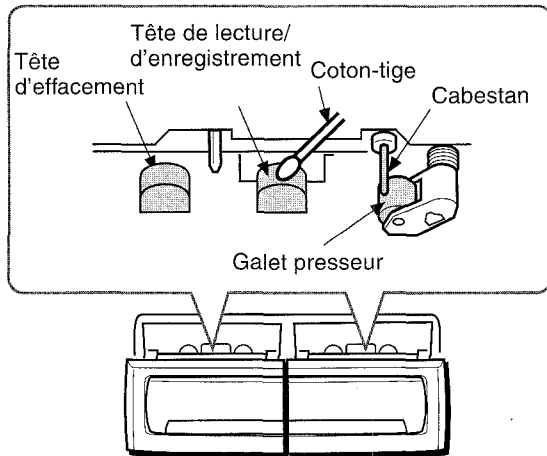
Utiliser un chiffon doux et sec.

Si l'appareil est extrêmement sale, utiliser un chiffon doux légèrement imbibé d'une solution détergente douce. Afin de ne pas altérer le fini de l'appareil, ne pas utiliser de solvants forts, tels que de l'alcool, de la benzine ou du diluant.

Nettoyage des têtes et des chemins de bande

Toutes les dix heures d'utilisation, nettoyer les têtes et les chemins de bande avec une cassette de nettoyage ou un coton-tige imbibé d'un liquide de nettoyage ou d'alcool dénaturé. (Des kits de nettoyage sont disponibles dans le commerce.)

Lors du nettoyage avec un coton-tige, essuyer la tête de lecture/d'enregistrement (platine 2 seulement), la tête d'effacement (platine 2 seulement), les cabestans et les galets presseurs.



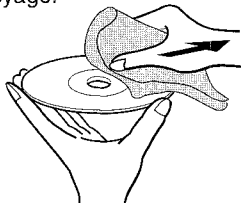
Après le nettoyage des têtes et des chemins de bande avec une cassette de nettoyage à liquide ou avec un coton-tige imbibé, attendre que les parties nettoyées soient complètement sèches avant de mettre des cassettes en place.

Pour démagnétiser les têtes

A la longue, les têtes peuvent devenir magnétisées. Ceci peut restreindre la plage de sortie des cassettes enregistrées et augmenter le bruit. A l'aide d'un dispositif de démagnétisation disponible dans le commerce, démagnétiser les têtes toutes les 20 à 30 heures d'utilisation.

Soin des disques

- Si un disque est sale, l'essuyer du centre vers l'extérieur avec un chiffon de nettoyage.



- Après la lecture d'un disque, le ranger dans son étui. Ne pas laisser le disque dans un endroit chaud ou humide.

Soin des cassettes

- Après l'utilisation, ranger les cassettes dans leurs boîtes.
- Ne pas laisser les cassettes près d'un aimant, d'un moteur électrique, d'un téléviseur ou de toute autre source de champ magnétique. Cela diminuerait la qualité sonore et provoquerait du souffle.
- Ne pas exposer les cassettes au soleil ni les laisser dans un véhicule garé au soleil.

EN CAS DE PROBLEME

Si l'appareil ne fonctionne pas comme décrit dans ce mode d'emploi, contrôler le guide suivant.

GENERALITES

Il n'y a pas de son.

- Le cordon secteur est-il branché correctement?
- N'y a-t-il pas une mauvaise connexion? (→ page 3)
- Il y a peut-être un court-circuit dans les bornes d'enceinte.
 - Débrancher le cordon secteur, attendre au moins cinq secondes puis corriger les connexions d'enceinte.
- Une touche de fonction incorrecte n'est-elle pas en service?

Le son ne sort que par une enceinte.

- L'autre enceinte n'est-elle pas déconnectée?

Le son sorti n'est pas stéréo.

- La fonction Karaoke n'est-elle pas en service? (→ page 16)

Un affichage ou un fonctionnement erroné se produit.

- Réinitialiser l'appareil comme indiqué ci-dessous.

PARTIE TUNER

Il y a des charges statiques constantes en forme d'oncle.

- L'antenne est-elle raccordée correctement? (→ page 4)
- Le signal n'est-il pas faible?
 - Connecter une antenne extérieure.

La réception présente des parasites ou le son présente de la distorsion.

- Le système ne capte-t-il pas des bruits extérieurs ou des ondes réfléchies?
 - Changer l'orientation de l'antenne.
 - Eloigner l'appareil d'autres appareils électriques.

PARTIE MAGNETOCASSETTE

La bande ne défile pas.

- La platine 2 n'est-elle pas en mode pause? (→ page 11)

Le son est déséquilibré ou trop faible.

- La tête de lecture n'est-elle pas sale? (→ page 21)

L'enregistrement est impossible.

- Un ergot de sécurité de la cassette n'est-il pas absent? (→ page 12)
- La tête d'enregistrement n'est-elle pas sale? (→ page 21)

L'effacement est impossible.

- La tête d'effacement n'est-elle pas sale? (→ page 21)
- Une cassette au métal n'est-elle pas utilisée?

Il n'y a pas de sons aigus.

- La tête de lecture/d'enregistrement n'est-elle pas sale? (→ page 21)

PARTIE LECTEUR DE DISQUES COMPACTS

La lecture ne fonctionne pas.

- Le disque est-il correctement mis en place? (→ page 9)
- Le disque n'est-il pas sale? (→ page 21)
- N'y a-t-il pas de la condensation sur la lentille?
 - Attendre environ une heure puis essayer de nouveau.

Pour réinitialiser

Si une anomalie apparaît sur la fenêtre d'affichage ou dans le magnétocassette, réinitialiser l'appareil de la manière suivante.

- 1 Appuyer sur **POWER** pour couper l'alimentation.
- 2 Appuyer sur **POWER** tout en appuyant sur **CLEAR** pour remettre l'appareil sous tension. Toutes les données mémorisées après l'achat sont effacées.

Si à l'étape 1 l'alimentation ne peut pas être coupée du fait d'une anomalie, réinitialiser en débranchant le cordon secteur puis le rebrancher. Ensuite, effectuer l'étape 2.

SPECIFICATIONS

Appareil principal CX-NA508

Partie tuner FM

Plage d'accord	87,5 MHz à 108 MHz
Sensibilité utile (IHF)	13,2 dBf
Bornes d'antenne	75 ohms (asymétrique)

Partie tuner AM

Plage d'accord	530 kHz à 1710 kHz (par pas de 10 kHz) 531 kHz à 1602 kHz (par pas de 9 kHz)
Sensibilité utile	350 µV/m
Antenne	Antenne cadre

Partie amplificateur

Puissance de sortie	60 W + 60 W (de 50 Hz à 20 kHz, DHT inférieure à 1%, 6 ohms)
Distorsion harmonique totale	0,05% (50 W, 1 kHz, 6 ohms, AUDIO DIN)
Entrées	VIDEO/AUX: 150 mV (réglable) MD: 150 mV (réglable) MIC: 1,8 mV (10 kΩ)
Sorties	LINE OUT: 200 mV SUPER WOOFERS: 1,9V SPEAKERS: acceptent des enceintes de 6 ohms ou plus SURROUND SPEAKERS: acceptent des enceintes de 8 ohms à 16 ohms PHONES (prise stéréo): accepte un casque de 32 ohms ou plus

Partie magnétocassette

Format de piste	4 pistes, 2 canaux stéréo
Réponse en fréquence	50 Hz – 15000 Hz
Système d'enregistrement	Polarisation CA
Têtes	1 tête de lecture (platine 1) 1 tête de lecture/d'enregistrement, 1 tête d'effacement (platine 2)

Partie lecteur de disques compacts

Laser	Laser à semi-conducteurs (λ = 780 nm)
Convertisseur N/A	1 bit, double
Rapport signal/bruit	85 dB (1 kHz, 0 dB)
Distorsion harmonique	0,05% (1 kHz, 0 dB)
Pleurage et scintillement	En deçà du seuil mesurable

Généralités

Alimentation électrique	Secteur 120 V, 60 Hz
Consommation électrique	100 W
Dimensions de l'appareil principal (L x H x P)	260 x 329,1 x 344,5 mm
Poids de l'appareil principal	6,4 kg

Enceintes acoustiques SX-NA502

Type de caisson	3 voies, bass-reflex (Type à blindage antimagnétique)
Haut-parleurs	Haut-parleur de grave: cône de 140 mm Haut-parleur d'aigu: cône de 60 mm Super-tweeter: céramique 10 mm 6 ohms
Impédance	6 ohms
Niveau de pression acoustique de sortie	87 dB/W/m
Dimensions (L x H x P)	235 x 324 x 250 mm
Poids	3,3 kg

Les spécifications et l'aspect extérieur peuvent être modifiés sans préavis.

BBE SYSTEM

L'expression "BBE" et le symbole "BBE" sont des marques déposées de BBE Sound, Inc.
Sous licence de BBE Sound, Inc.

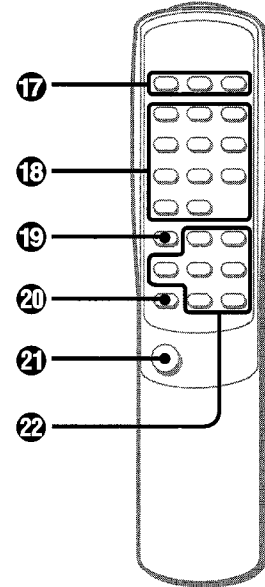
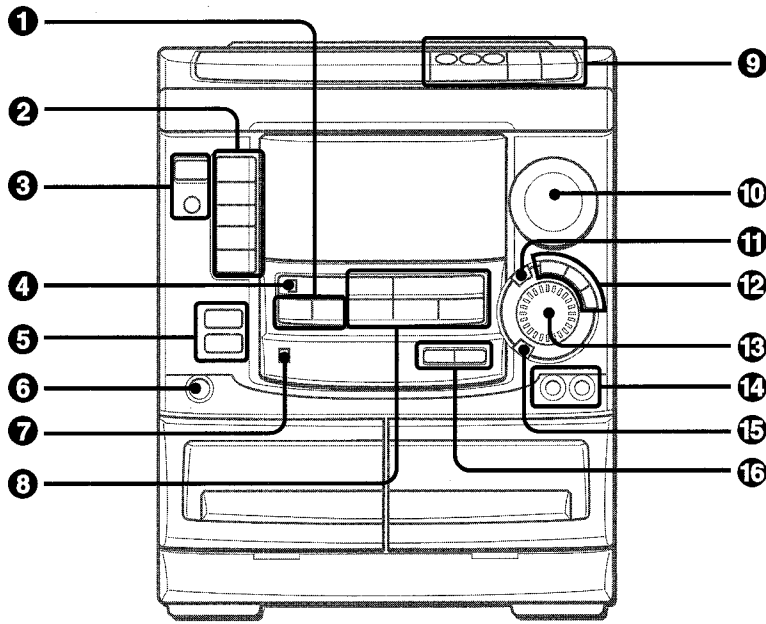
DROITS D'AUTEUR

Prière de vérifier les lois sur la propriété artistique relatives à l'enregistrement de disques, de la radio ou de cassettes dans le pays d'utilisation de l'appareil.

PARTS INDEX

INDICE DE LAS PARTES

NOMENCLATURE



Name/Nombre/Nom	Page/Página/Page
① SYNCHRO DUBBING	13
● REC/REC MUTE	12-15
② TAPE DECK 1/2	11,13
TUNER BAND	8
VIDEO/AUX	20
CD	9
MD	20
③ POWER	5
DEMO	5
④ KARAOKE	16
⑤ BBE	6
T-BASS	6
⑥ PHONES	6
⑦ CD EDIT/CHECK	9,14,15
⑧ ■ CLEAR	8-15,18
◀▶ PRESET	8-11,17
▬ SET	8,9,11,18,19
◀◀/▶▶ DOWN	8-11,14,15,18,19
▶▶/◀◀ UP	8-11,14,15,17,18,19
⑨ DISC DIRECT PLAY 1-3	9,10,14,15,17
DISC CHANGE	9
▲ OPEN/CLOSE	9
⑩ VOLUME	6
⑪ ENTER	7,18,19
⑫ GEQ	7
LOW	7
HIGH	7

Name/Nombre/Nom	Page/Página/Page
⑬ MULTI JOG	7,8,9,14,15,18,19
⑭ MIC	16
MIC VOLUME	16
⑮ DISP	6,7
⑯ TIMER	19
CLOCK	18
⑰ DISC DIRECT PLAY1-3	9,10,14,15,17
⑱ 0-9,+10	8,9,10,14,15,17
1/EDIT/CHECK	9,14,15,17
2/PRGM	10
3/RANDOM/REPEAT	10
4/GEQ	7
6/T-BASS	6
7/TIMER	19
8/SLEEP	18
9/CLOCK	18
0/MONO TUNER	8
+10/BAND	8
⑲ SHIFT	5
⑳ FUNCTION	5
㉑ POWER	5
㉒ ◀◀/▶▶ DOWN	8-11,14,15,18,19
▶▶/◀◀ UP	8-11,14,15,17,18,19
▬ SET	8,9,18,19
■ CLEAR	8-15,17
◀▶/▶▶ PRESET	8-11,17
VOLUME(∧, ∨)	6

For assistance and information

call toll free 1-800-BUY-AIWA (United States and Puerto Rico)